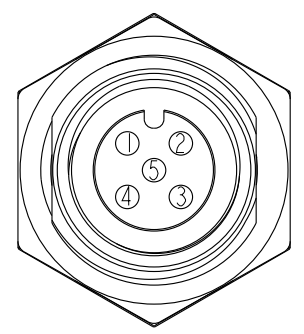
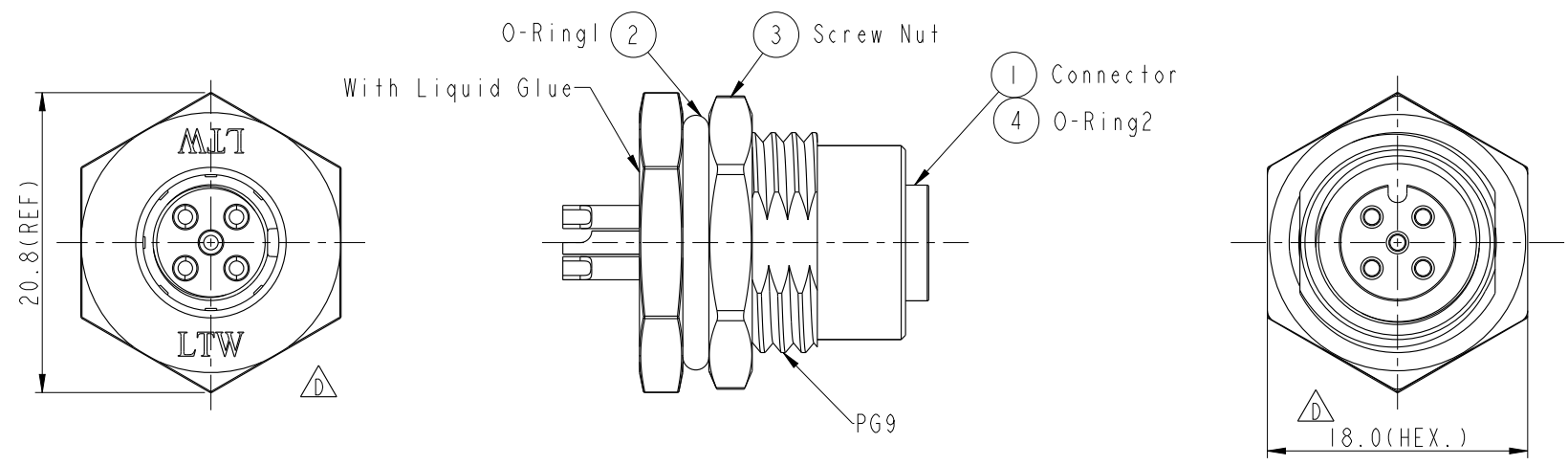


THIS DOCUMENT IS SUBJECT TO CHANGE WITHOUT NOTICE. IT IS CONFIDENTIAL AND A PROPERTY OF Amphenol LTW. DISCLOSURE TO THIRD PARTY HAS TO BE AUTHORIZED BY Amphenol LTW.

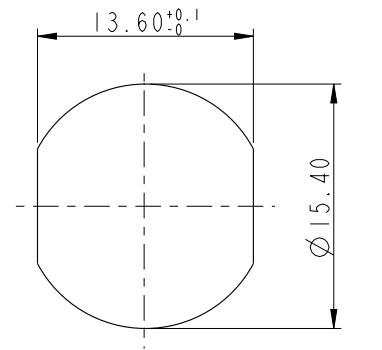
REV.	ECN NO.	DATE	SIGN	DESCRIPTION
C	LEN-7A0012	2007/10/01	Zeus	Added Note
D	LEN-040046	2010/03/30	Vicky	REF. TO ECR/N.NOTE.
E	LEN1370285	2013/07/19	Rensong	chang demension 25.2 to 25.3

ALTW
CONFIDENTIAL
 2013-07-19
R&D DEPT.

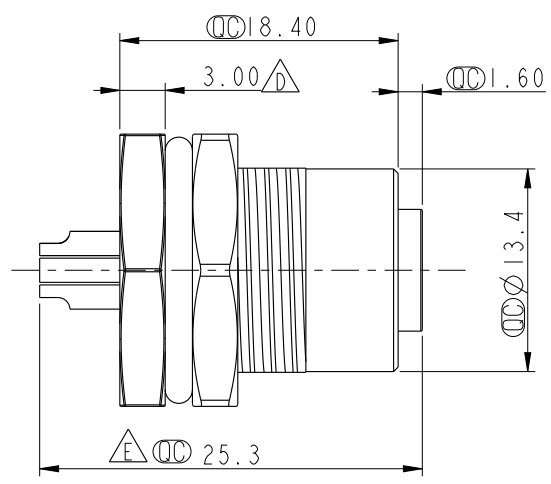
ALTW
 DCC. DEPT.
 CONFIDENTIAL
 2013.07.24
ISSUED



Pin Assignment
 Front View



Recommended Panel Cut-Out



- Note:
- * \varnothing Important Dimension.
 - * Waterproof Rate: IP68.
 - * IP68: 1M Depth Of Water In 24hours.
 - * Housing: Nylon+GF, Black.
 - * Female Pin: Copper Alloy, Gold Plated.
 - * Shield: Zinc Alloy, Nickel Plated.
 - * Nut: Zinc Alloy, Nickel Plated.
 - * O-Ring1: EPDM, Black.
 - * O-Ring2: Viton, Green.
 - * For Panel Thickness Max 4.5mm.
 - * Nut Torque: 4-6 Kgf.cm

UNIT: mm		
TOLERANCE	.X	±0.25
	.XX	±0.1
	.XXX	±0.05
ANGLES		±1°

TITLE M12 Conn Panel Screw 5Pin F Conn F Pin			
SCALE	SIZE	SHEET	OF
2:1	A4	1	1
REV.	WC-REV.	QC: Inspection item	
E	B.1		

Amphenol LTW
 安費諾亮泰企業股份有限公司

ITEM NO.	DRAWN BY	DATE
12-05PFFS-SF8001	Lin_rensong	2013-07-19
DWG NO.	CHECKED BY	DATE
12-05PFFS-SF8001	Tony	2013-07-19
CUSTOMER	APPROVED BY	DATE
ALTW	Maslow	2013-07-19