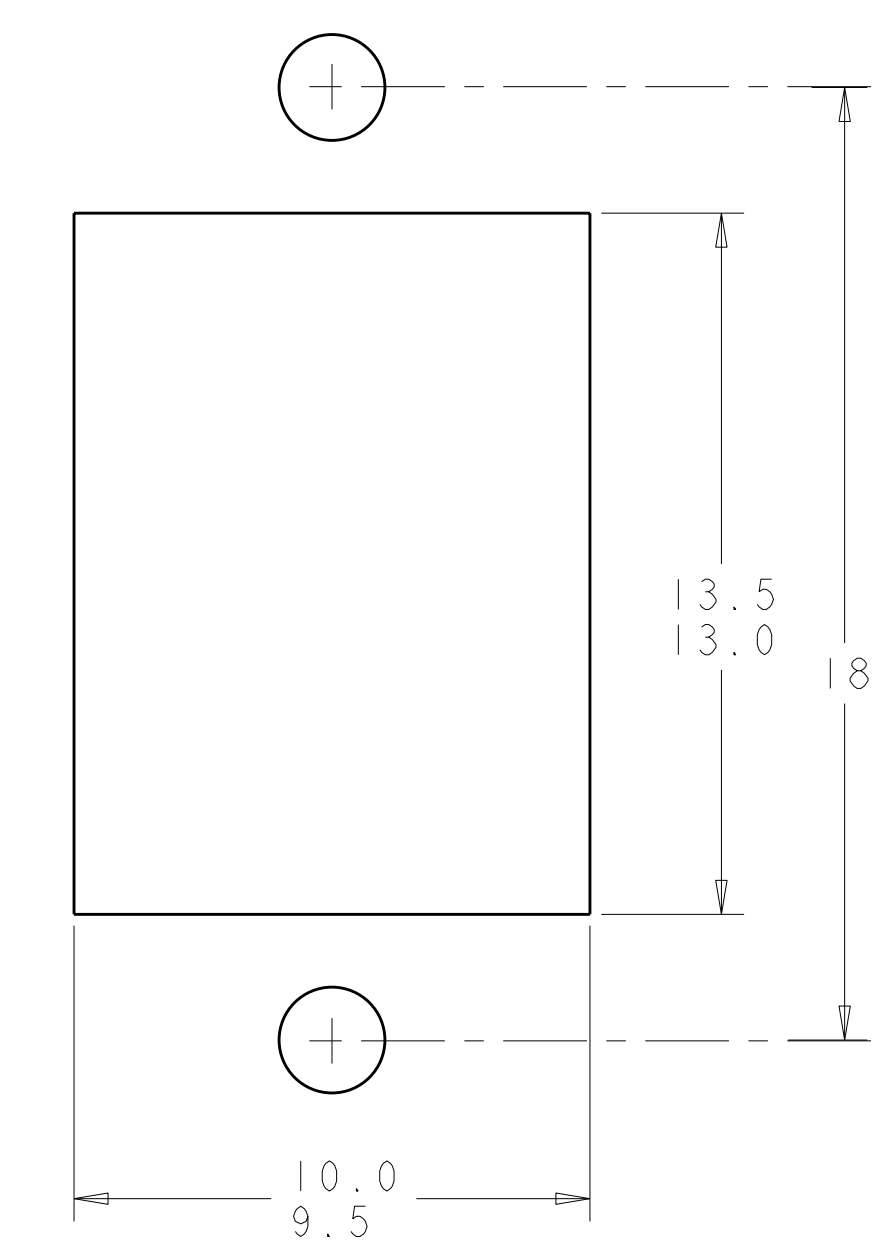
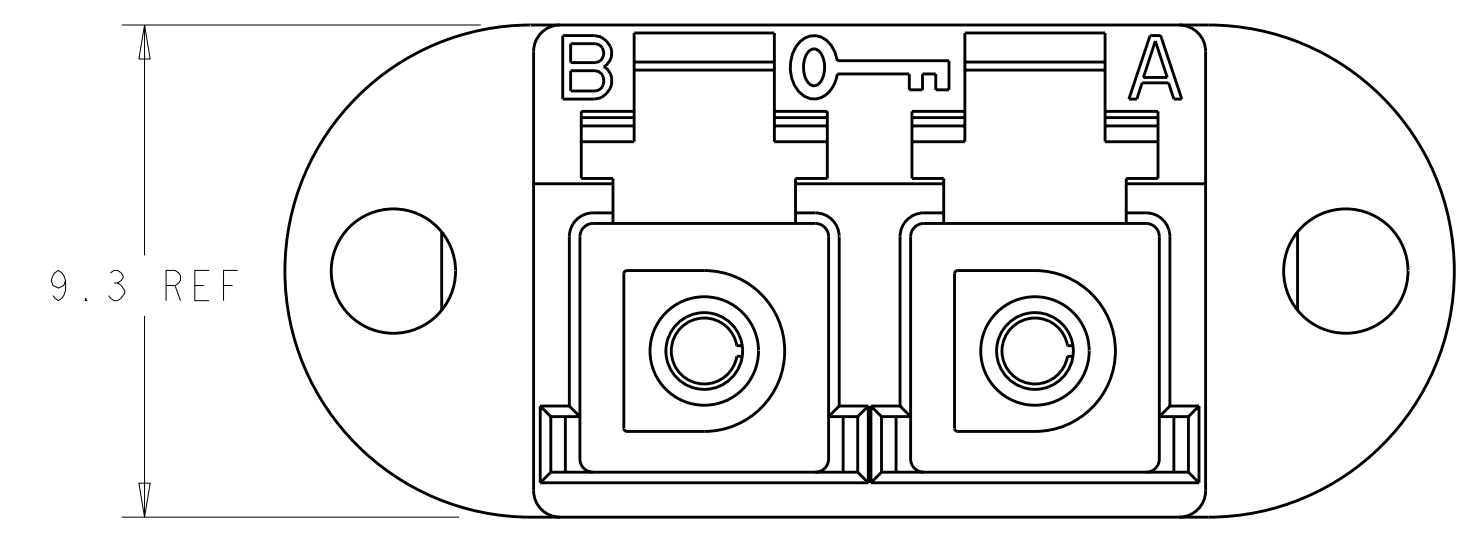
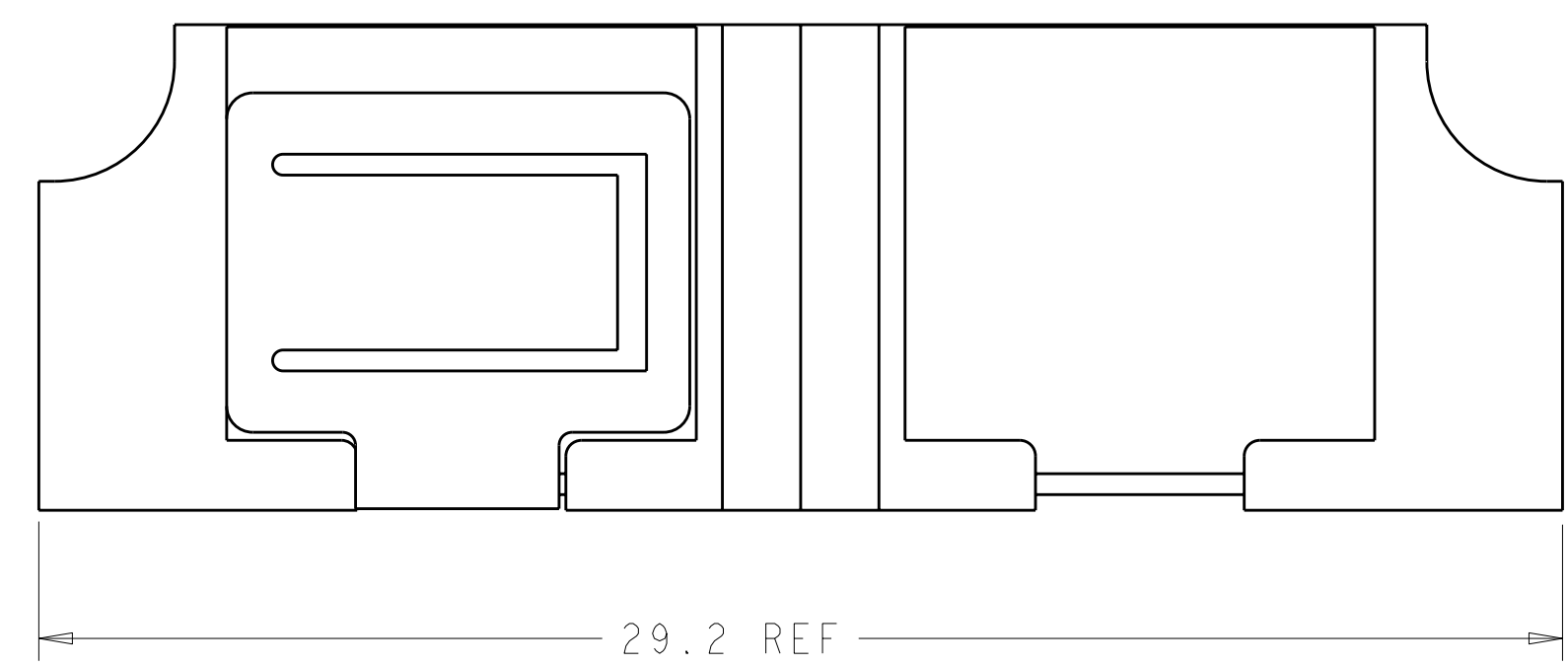
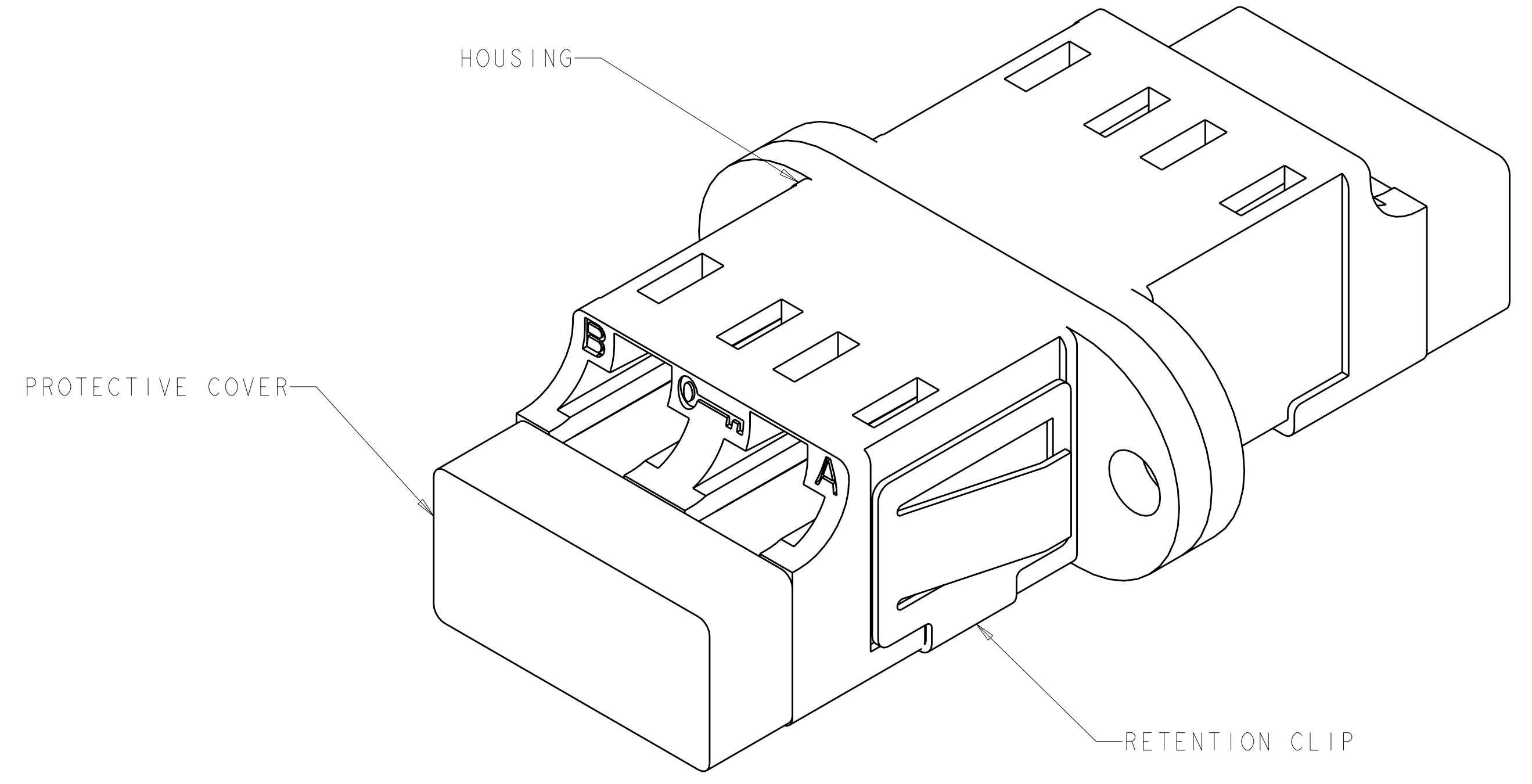
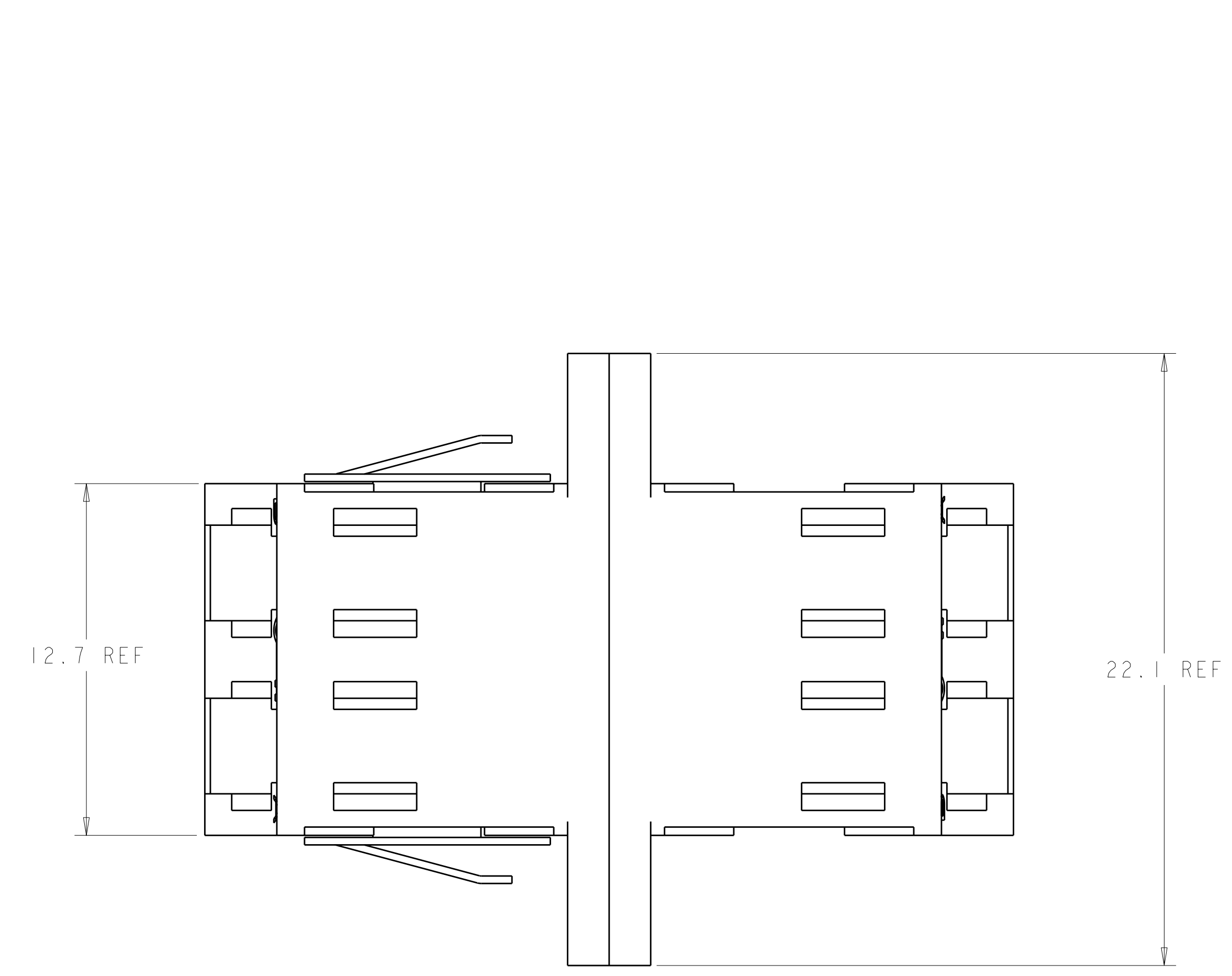


LOC	DIST	REV	DATE	BY	CHK	APPV	DESCRIPTION	DATE	DWN	APVD
CE	00	B	22NOV2006	ESM	DHR		ECO-06-025929			

△ MATERIAL:  
 HOUSINGS: THERMOPLASTIC, PPE-PS\*  
 ALIGNMENT SLEEVES: CERAMIC  
 PROTECTIVE COVERS: THERMOPLASTIC ELASTOMER\*  
 RETENTION CLIP: SST  
 \* UL 94 V-0 RATED AT QUALIFYING THICKNESS



RECOMMENDED PANEL CUTOUT  
 MAX PANEL THK. 1.7

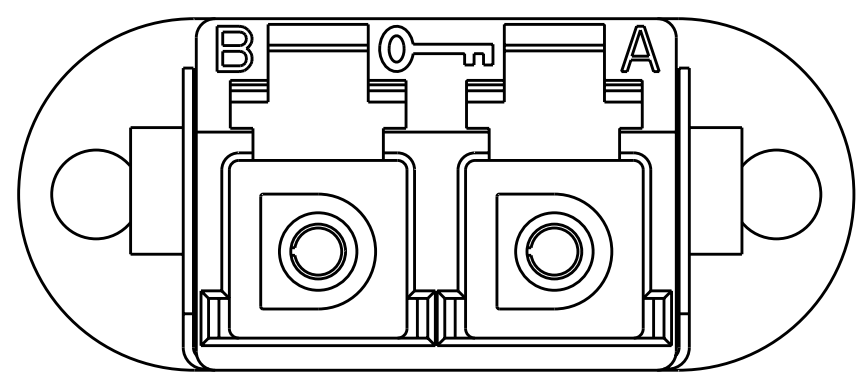
PROTECTIVE COVERS  
 NOT SHOWN

(RED - 1 SHOWN)

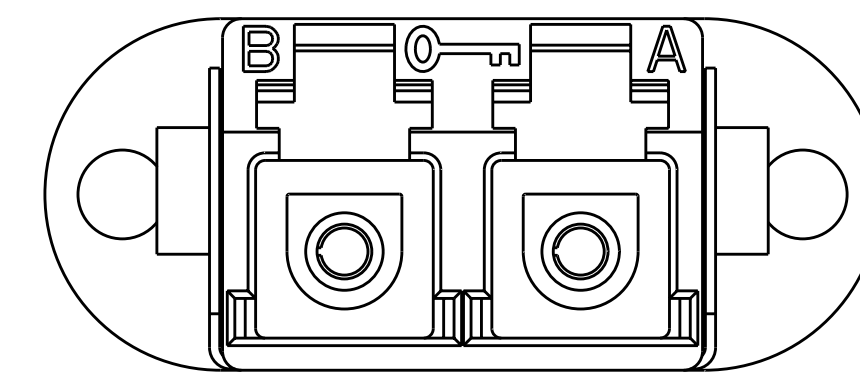
SLATE	I-1828073-0
ORANGE	1828073-9
VIOLET	1828073-8
BROWN	1828073-7
AQUA	1828073-6
ROSE	1828073-5
BLUE	1828073-4
GREEN	1828073-3
YELLOW	1828073-2
RED	1828073-1
HOUSING COLOR	PART NO.

DIMENSIONS: mm		TOLERANCES UNLESS OTHERWISE SPECIFIED: 0 PLC ± 1 PLC ± 2 PLC ± 3 PLC ± 4 PLC ± ANGLES ± FINISH		DWN E. HOPKINS 04AUG2005 CHK D. ERDMAN 04AUG2005 APVD D. BAECHTLE 04AUG2005		<b>tyco</b> Tyco Electronics <b>Electronics</b> Harrisburg, PA 17105-3608	
MATERIAL △		FINISH		PRODUCT SPEC APPLICATION SPEC WEIGHT		NAME LC SECURE ADAPTER ASSEMBLY, FLANGED	
CUSTOMER DRAWING		SCALE 4:1		SHEET 1 OF 2		RESTRICTED TO	

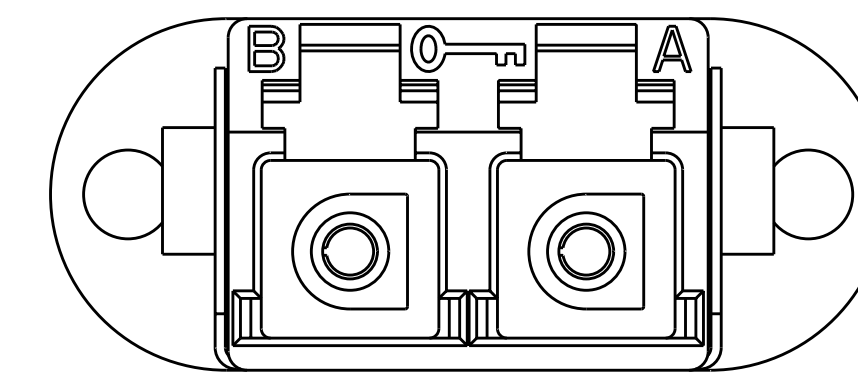
LOC	DIST	REVISIONS					
		P	LTB	DESCRIPTION	DATE	DWN	APVD
CE	00	-	-	SEE SHEET 1	-	-	-



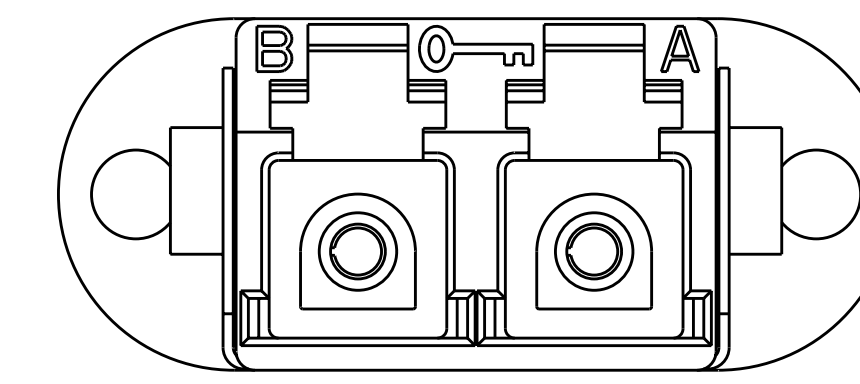
1828073-1  
RED



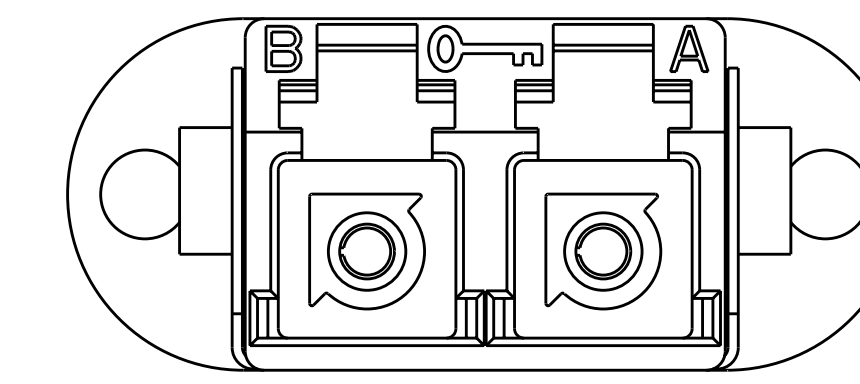
1828073-2  
YELLOW



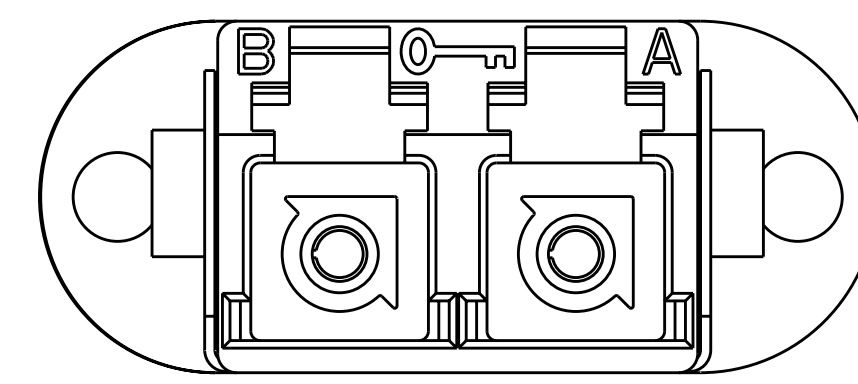
1828073-3  
GREEN



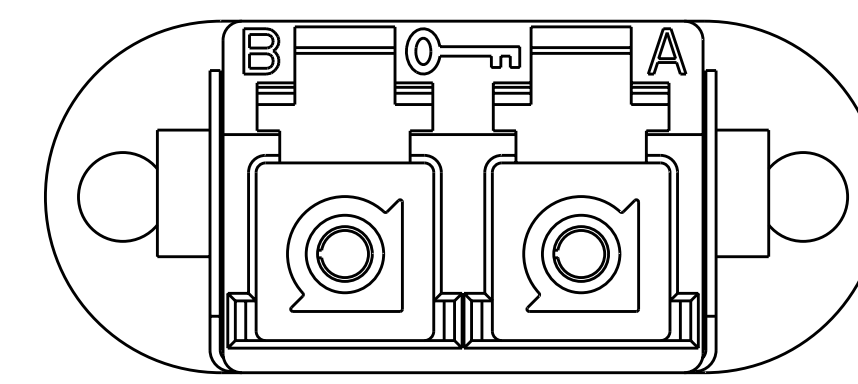
1828073-4  
BLUE



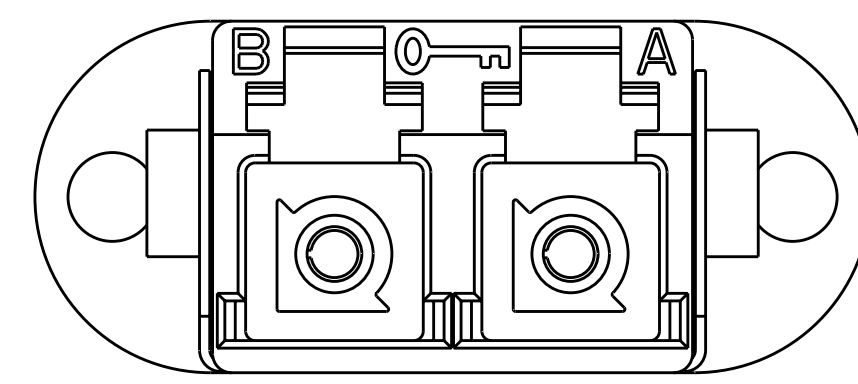
1828073-5  
ROSE



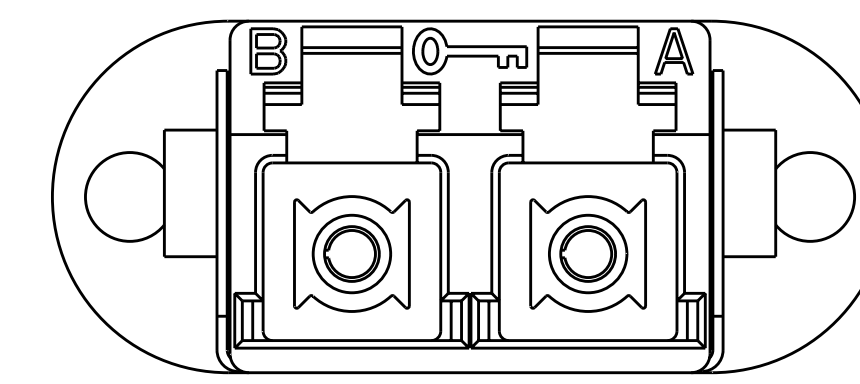
1828073-6  
AQUA



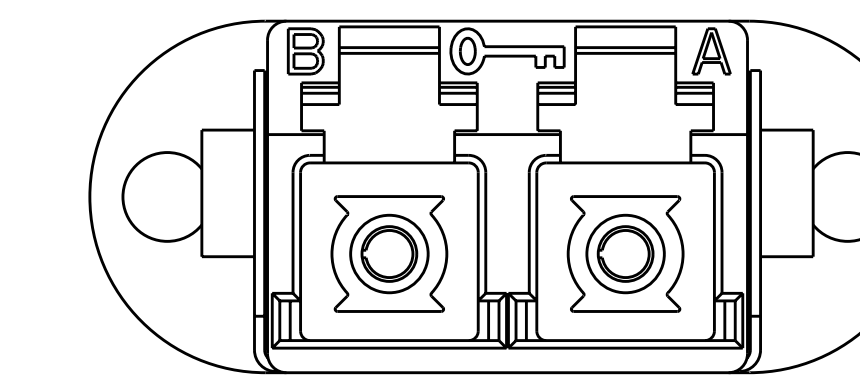
1828073-7  
BROWN



1828073-8  
VIOLET



1828073-9  
ORANGE



1-1828073-0  
SLATE

<small>THIS DRAWING IS UNPUBLISHED. RELEASED FOR PUBLICATION. ALL RIGHTS RESERVED. THIS DRAWING IS THE PROPERTY OF TYCO ELECTRONICS CORPORATION. IT IS SUBJECT TO CHANGE WITHOUT NOTICE AND WITHOUT OBLIGATION. SHOULD BE CONTACTED FOR THE LATEST REVISION.</small>		DWN: E. HOPKINS 04AUG2005 CHK: D. ERDMAN 04AUG2005 APVD: D. BAECHTLE 04AUG2005	<b>tyco</b> <b>Electronics</b> Tyco Electronics Harrisburg, PA 17105-3608
DIMENSIONS: mm 	TOLERANCES UNLESS OTHERWISE SPECIFIED: 0 PLC ± 1 PLC ± 2 PLC ± 3 PLC ± 4 PLC ± ANGLES ± FINISH	NAME: LC SECURE ADAPTER ASSEMBLY, FLANGED PRODUCT SPEC: APPLICATION SPEC: WEIGHT: CUSTOMER DRAWING	SIZE: A   00779   C=1828073 SCALE: 5:1 SHEET: 2 OF 2 REV: B