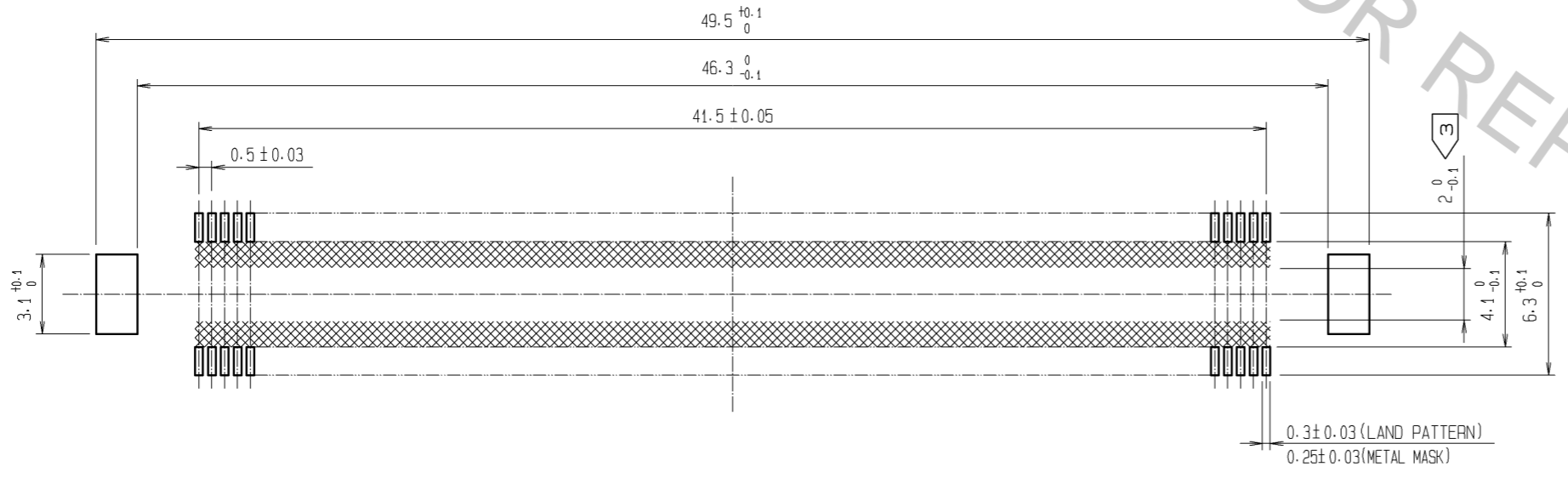


RECOMMENDED LAND PATTERN DIMENSION OF PCB
(RECOMMENDED METAL MASK THICKNESS: 0.15mm)



- NOTES
- 1 SMT LEAD-COPLANARITY: 0.1 MAX.
 - 2 THIS PRODUCT HAS NO POLARITY TO PATTERN FOR MOUNTING.
 - ③ MAKE SURE WIDTH OF PATTERN IS WITHIN THAT OF LAND, OR LEAD MAY TOUCH PATTERN. (THIS APPLIES TO HATCHED AREA.)
 - 4 THE DIMENSIONS IN PARENTHESES ARE FOR REFERENCE.

3	PHOSPHOR BRONZE	TIN-PLATING
2	PHOSPHOR BRONZE	CONTACT AREA: GOLD 0.1µm min. LEAD AREA: TIN-PLATING 1µm min. UNDER PLATING: NICKEL 1µm min.

1	LCP	BEIGE	UL94V-0
NO.	MATERIAL	FINISH	REMARKS

UNITS	mm	SCALE	4 : 1	COUNT	△	DESCRIPTION OF REVISIONS		DESIGNED		CHECKED		DATE	
HRS HIROSE ELECTRIC CO., LTD.		APPROVED	: HS. OKAWA	09.04.14	DRAWING NO.		EDC3-151959-25						
		CHECKED	: HT. YAMAGUCHI	09.04.14	PART NO.		FX10B-168P-SV(71)						
		DESIGNED	: SY. KAMIGA	09.04.14	CODE NO.		CL570-0054-1-71						
		DRAWN	: HK. SUNADORI	09.04.13									