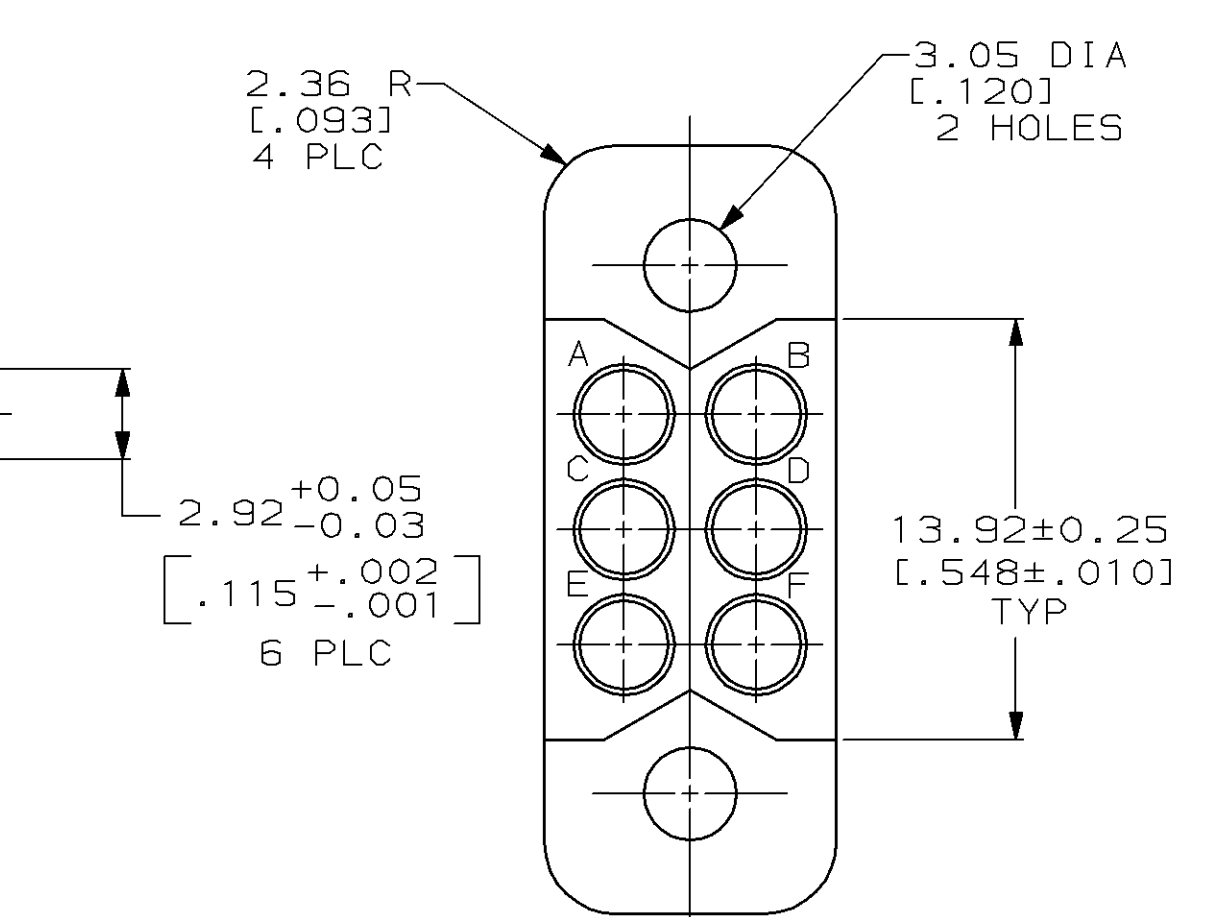
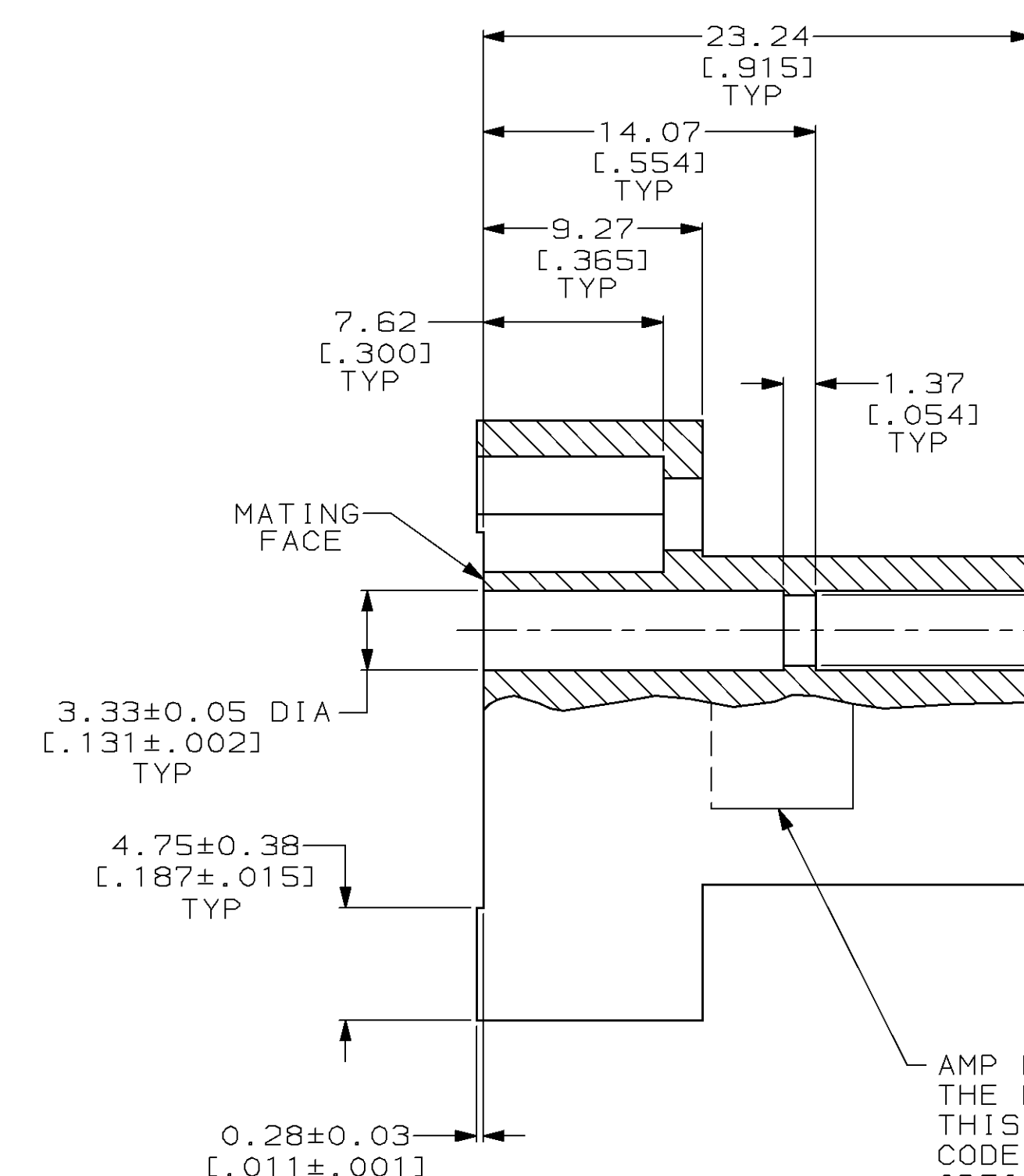
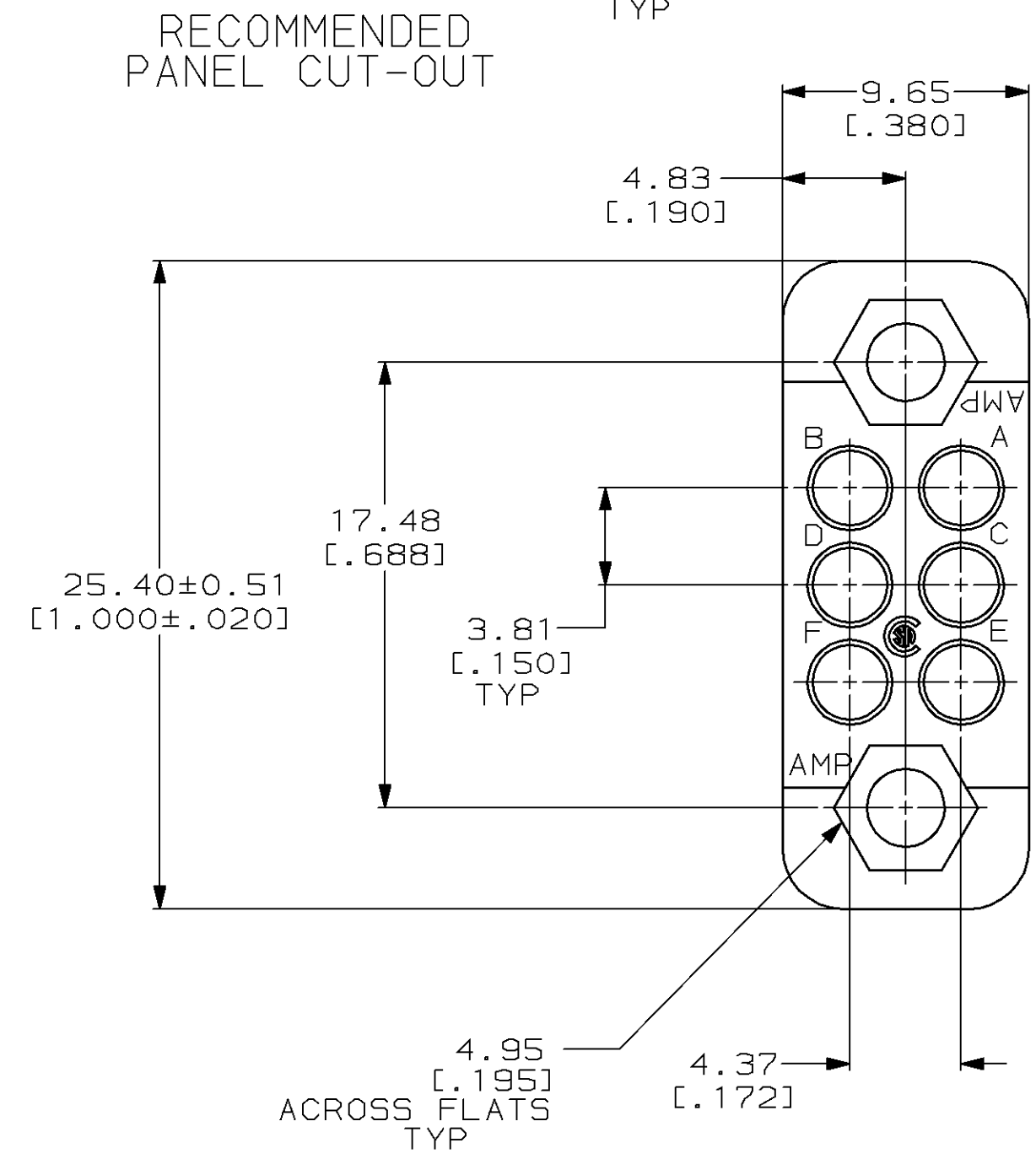
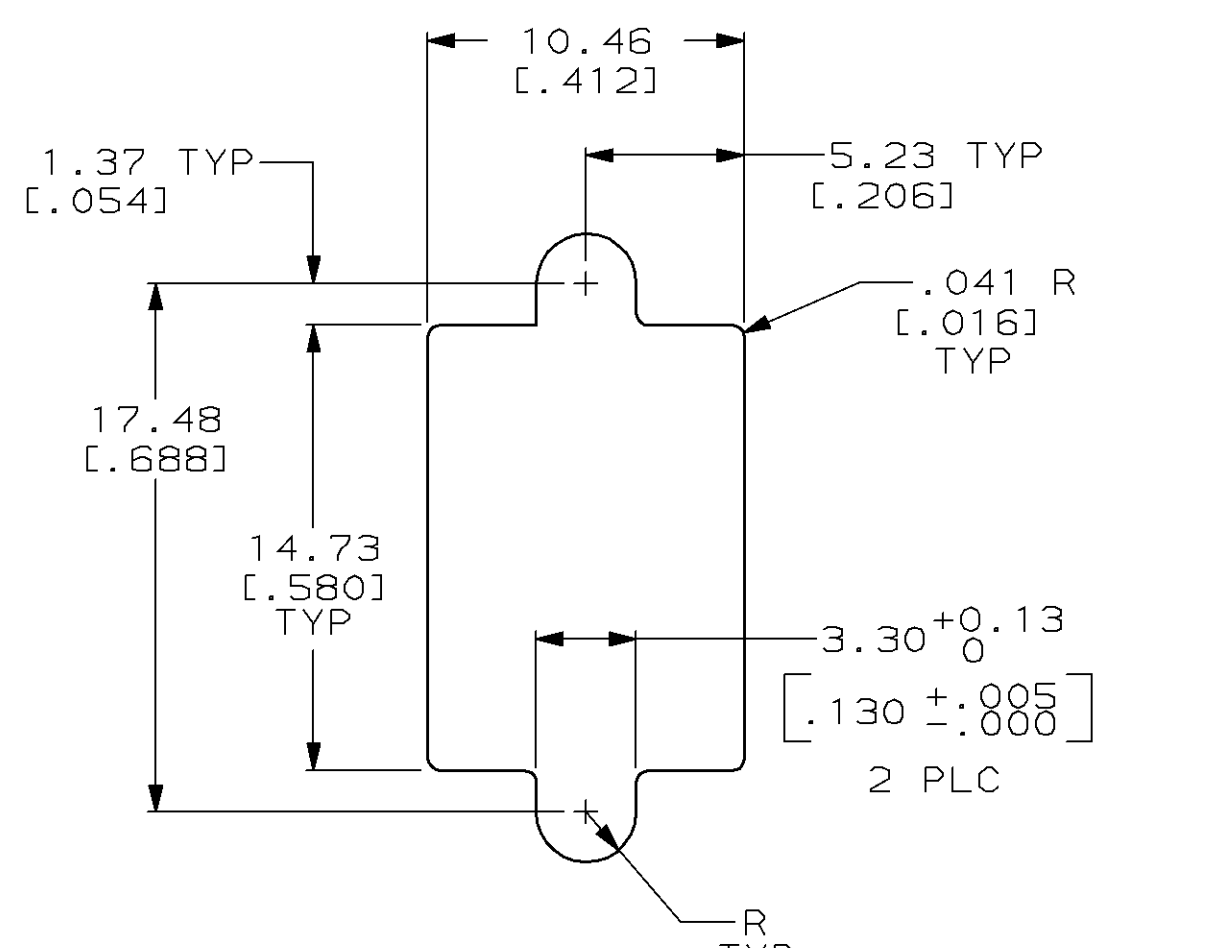


LOC	DIST	P	F	ZONE	LTR	DESCRIPTION	DATE	APPD
FT	8				D	OBS -5 & REDWN PER BD6577	08/29/92	GS
					E	REV PER EC 0320-82-97	14 AUG 97	GS



- MATES WITH 202757 & ACCOMMODATES TYPE II, OR TYPE III #16 PIN, OR SOCKET CONTACTS.
- PHENOLIC, PER MIL-M-14, TYPE CFG, BLACK
- DIALLYL PHTHALATE, PER MIL-M-14, TYPE SDG-F, BLUE
- EPIALL, BLACK

OBSOLETE	4	202758-6
	3	202758-3
	2	202758-1
MATERIAL		PART NO

DO NOT SCALE PRINT. UNLESS SPECIFIED DIMENSIONS IN mm [INCHES] TOLERANCES ON: 2 PLC DEC ± 0.13 [.005] 3 PLC DEC ± - ANGLES ± -	DR 8-29-92 CHAD BAKER CHK 8-31-92 J. McCLINTON APPD 9-2-92 G. STEINHAUER APPD 9-9-92 C. ROHDE	AMP AMP Incorporated Harrisburg, PA 17105-3608	
MATERIAL SEE TABLE	PRODUCT SPEC -	NAME RECEPTACLE BLOCK, MINIATURE, 6 POSN, MALE, M SERIES	
FINISH -	APPLICATION SPEC -	SIZE C	CAGE CODE 00779
	WEIGHT -	DRAWING NO G=202758	SHEET 1 OF 1

THIS DRAWING IS A CONTROLLED DOCUMENT FOR AMP INCORPORATED. IT IS SUBJECT TO CHANGE AND THE CONTROLLING ENGINEERING ORGANIZATION SHOULD BE CONTACTED FOR THE LATEST REVISION.