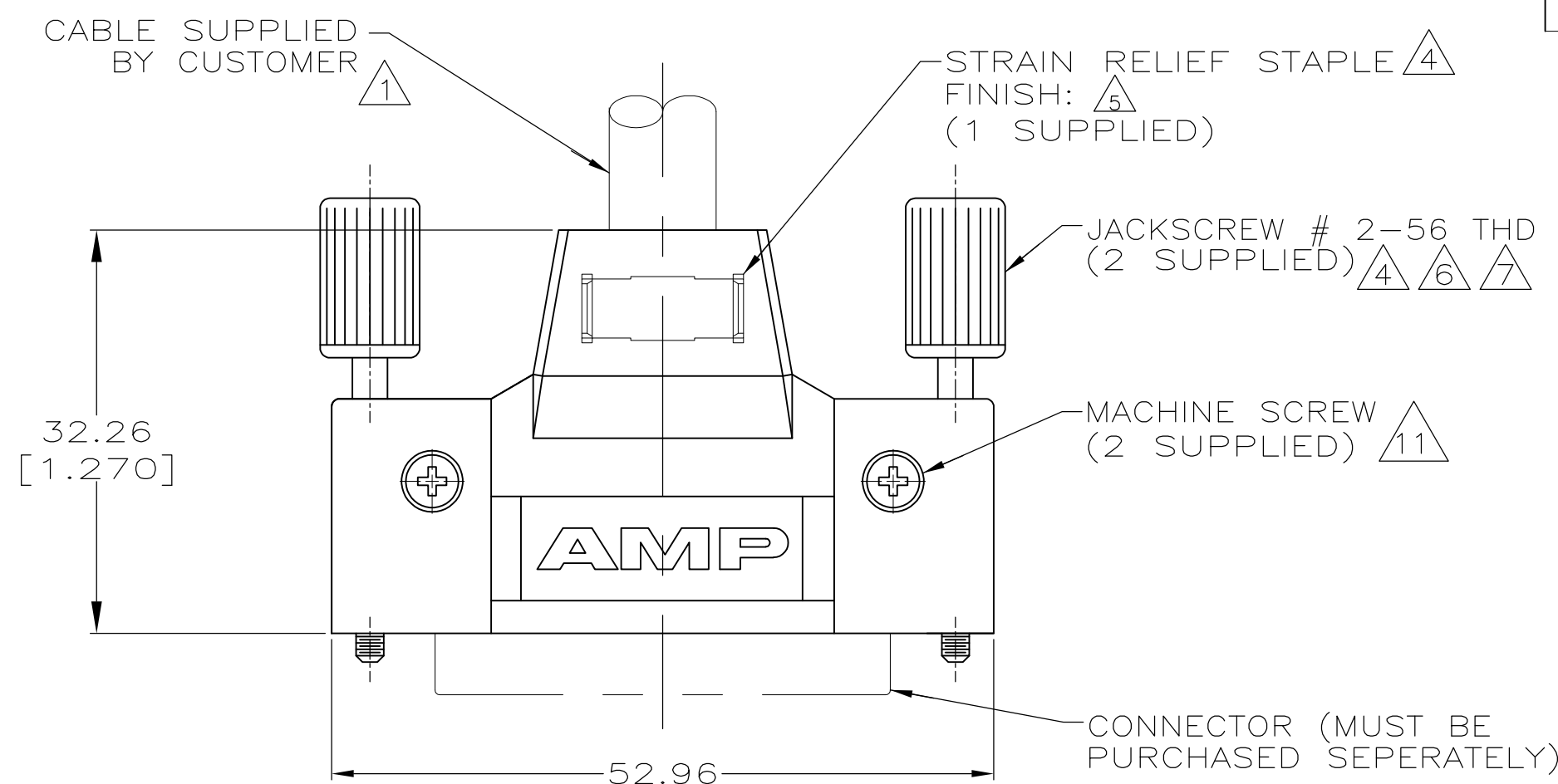
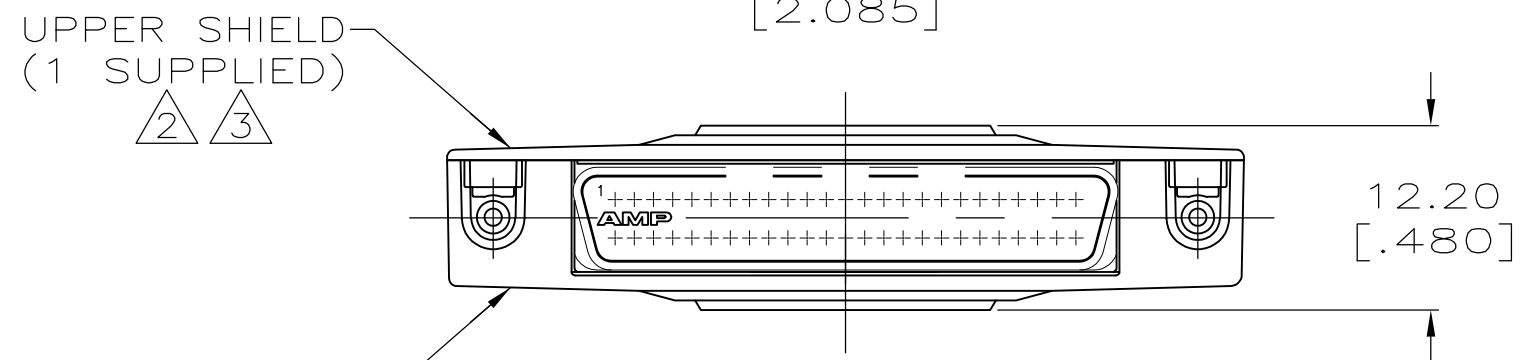


THIS DRAWING IS UNPUBLISHED. RELEASED FOR PUBLICATION
 © COPYRIGHT - By - ALL RIGHTS RESERVED.

LOC	DIST	REVISIONS					
GP	00	P	LTR	DESCRIPTION	DATE	DWN	APVD
		R		REVISED PER ECO-11-012218	14JUL2011	CJV	SLB



- 1 10.16[.400] MAX CABLE DIA.
- 2 ZINC.
- 3 NICKEL PLATED.
- 4 STEEL.
- 5 BRIGHT TIN PLATED.
- 6 POLYPROPYLENE OR NYLON, UL94V-0 RATED, BLACK.
- 7 BLACK ZINC PLATED.
- 8 PARTS PACKAGED AS A UNIT KIT.
- 9 INDIVIDUALLY BULK PACKAGED.
- 10 OBSOLETE PARTS: OBSOLETE CIS STREAMLINING PER D.RENAUD/D.SINISI.
- 11 STAINLESS STEEL.



LOWER SHIELD (1 SUPPLIED) (2) (3)

10 OBSOLETE	9	-5749080-2-
	8	5749080-1
	PACKAGING	PART NO.

**COPYRIGHT 2005
 TE CONNECTVITY CORP
 ALL RIGHTS RESERVED**

THIS DRAWING IS A CONTROLLED DOCUMENT.		DWN G.PETERS 24aug05	TE Connectivity											
DIMENSIONS: INCHES		CHK S.SHUEY 24AUG05												
TOLERANCES UNLESS OTHERWISE SPECIFIED:		APVD M.WALMSLEY 24AUG05												
<table border="0"> <tr><td>0 PLC</td><td>± -</td></tr> <tr><td>1 PLC</td><td>± -</td></tr> <tr><td>2 PLC</td><td>± 0.38 [.015]</td></tr> <tr><td>3 PLC</td><td>± -</td></tr> <tr><td>4 PLC</td><td>± -</td></tr> <tr><td>ANGLES</td><td>± -</td></tr> </table>		0 PLC			± -	1 PLC	± -	2 PLC	± 0.38 [.015]	3 PLC	± -	4 PLC	± -	ANGLES
0 PLC	± -													
1 PLC	± -													
2 PLC	± 0.38 [.015]													
3 PLC	± -													
4 PLC	± -													
ANGLES	± -													
MATERIAL STAPLE FINISH	FINISH	PACKAGING	PRODUCT SPEC -	APPLICATION SPEC -	WEIGHT -	SIZE A3	CAGE CODE 00779	DRAWING NO C-5749080	RESTRICTED TO -					
CUSTOMER DRAWING						SCALE 2:1	SHEET 1 OF 1	REV R						