

4

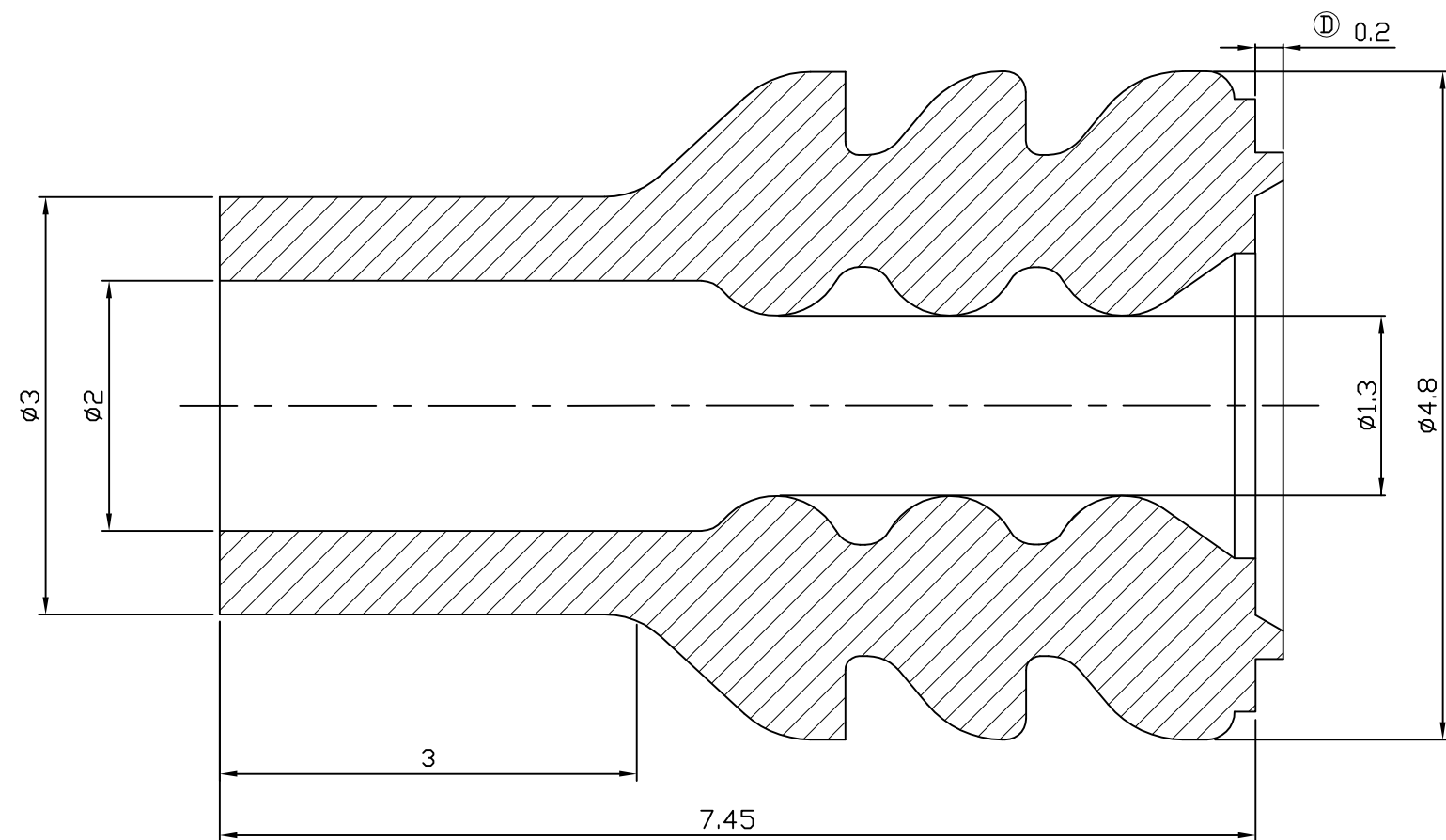
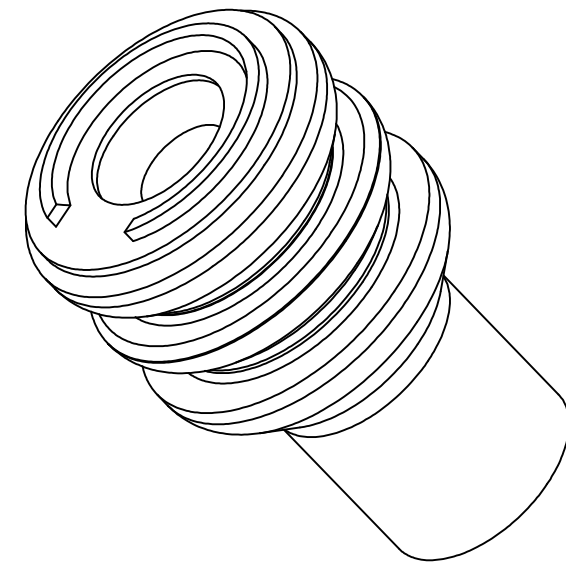
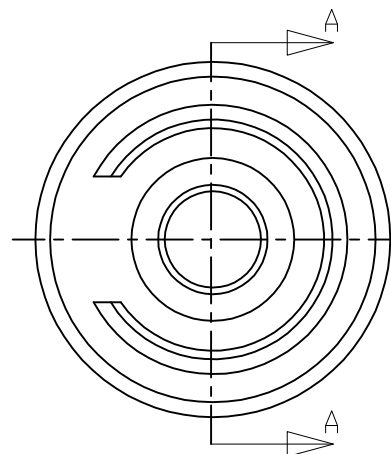
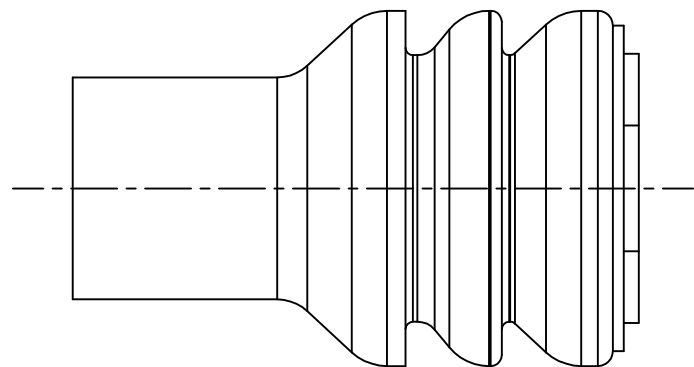
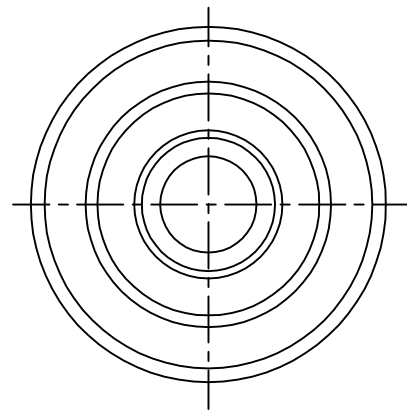
3

2

1

THIS DRAWING IS UNPUBLISHED. RELEASED FOR PUBLICATION  
© COPYRIGHT BY TYCO ELECTRONICS CORPORATION, ALL RIGHTS RESERVED.

LOC	DIST	REVISIONS					
DS	-	P	LTR	DESCRIPTION	DATE	DWN	APVD
			C1	REVISED (ECR-08-024326)	29.SEP.'08	KT	HG
			D	REVISED (ECR-08-030603)	05.NOV.'08	KT	HG
			E	REVISED (ECR-12-018014)	17.OCT.'12	JM	HG



RED	SILICONE(LSR)	WIRE SEAL FOR EJ MK-II(+)	1-368280-1
COLOR	MATERIAL	DESCRIPTION	P/N

<small>THIS DRAWING IS A CONTROLLED DOCUMENT FOR TYCO ELECTRONICS CORPORATION IT IS SUBJECT TO CHANGE AND THE CONTROLLING ENGINEERING ORGANIZATION SHOULD BE CONTACTED FOR THE LATEST REVISION.</small>		DWN JM JEON CHK JW JUNG APVD HG CHD PRODUCT SPEC - APPLICATION SPEC - WEIGHT - CUSTOMER DRAWING			
DIMENSIONS: MM 		TOLERANCES UNLESS OTHERWISE SPECIFIED: 0 <XX<10 ± 0.2 10<XX<30 ± 0.25 30<XX ± 0.3 ANGLES ± 3°		NAME WIRE SEAL FOR EJ MK-II(+) CONN'R (INSULATION DIA: Ø1.7-2.4mm)	
MATERIAL SEE TABLE		FINISH		SIZE CAGE CODE DRAWING NO RESTRICTED TO A3 00779 C-368280 -	
				SCALE 10/1 SHEET 1 OF 2 REV E	

4

3

2

1

THIS DRAWING IS UNPUBLISHED.

RELEASED FOR PUBLICATION

© COPYRIGHT

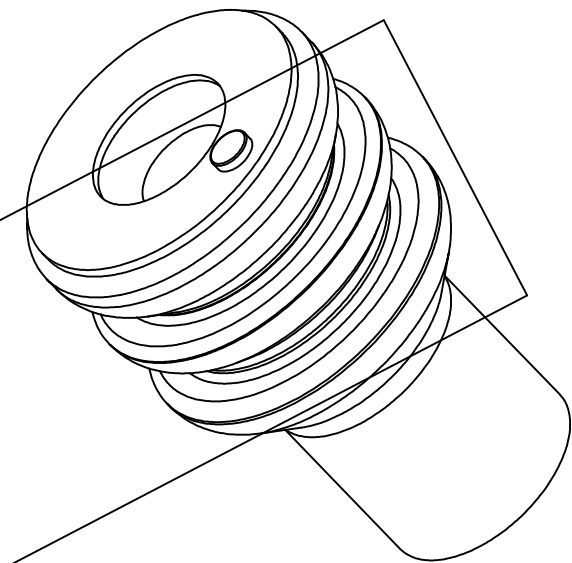
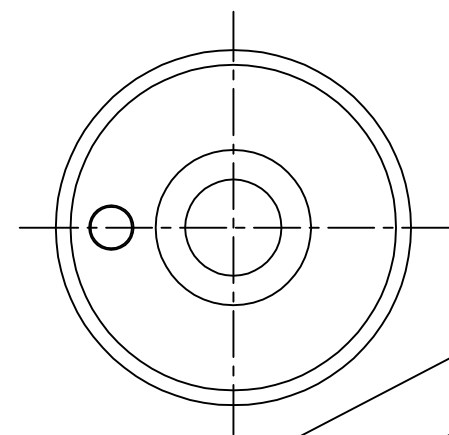
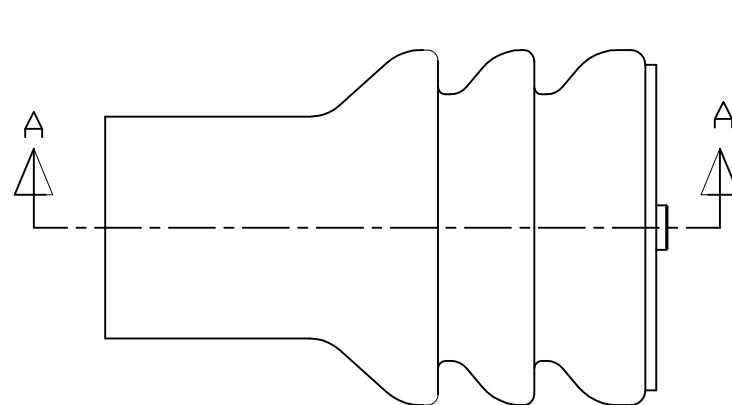
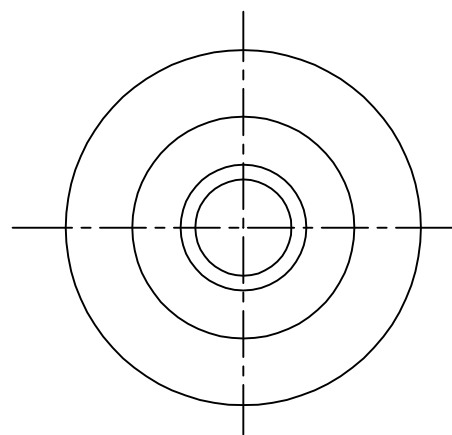
BY TYCO ELECTRONICS CORPORATION, ALL RIGHTS RESERVED.

LOC  
DS

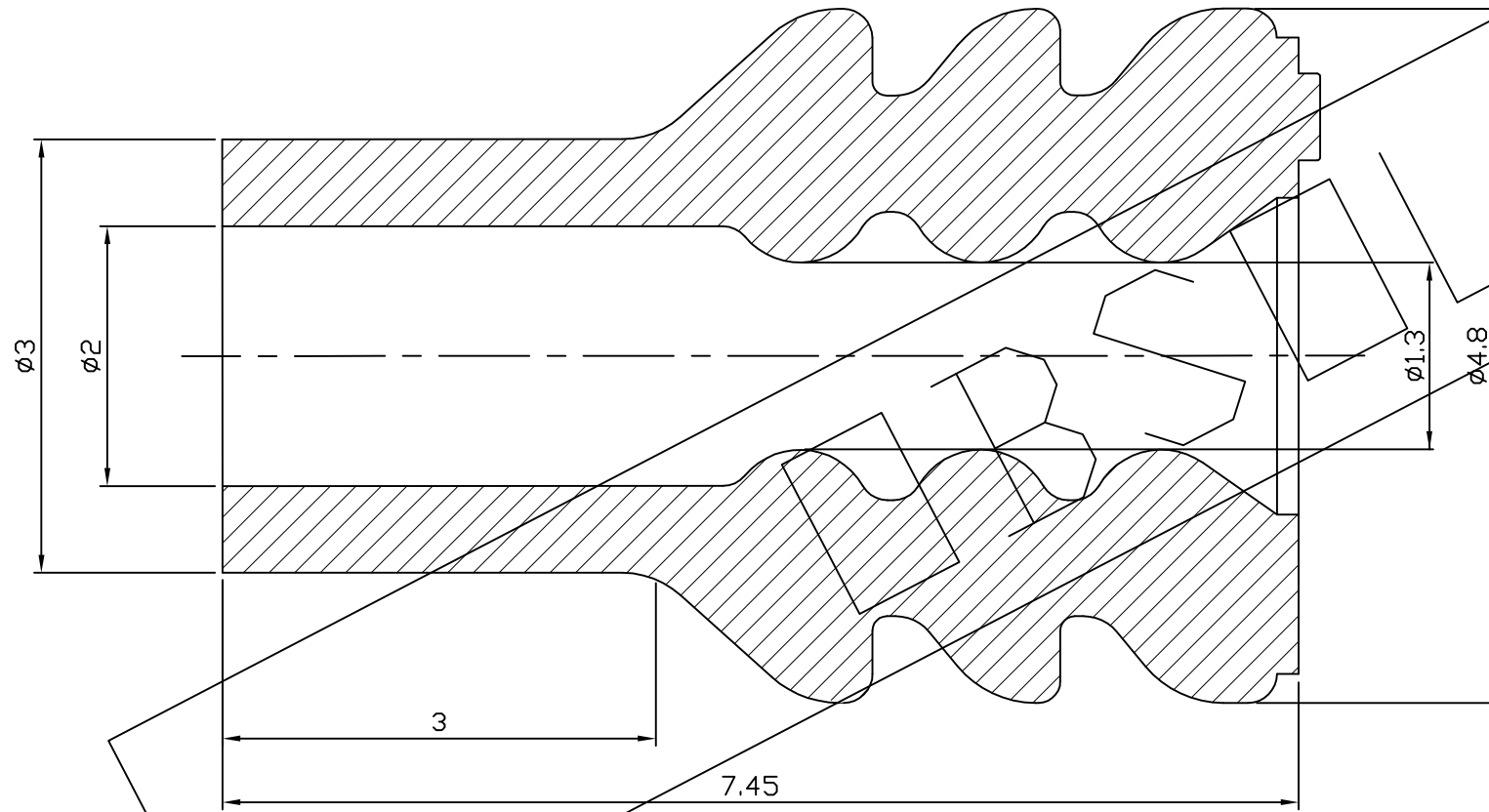
DIST  
-

REVISIONS

P	LTR	DESCRIPTION	DATE	DWN	APVD
		SEE SHEET 1 of 2			



E T E



SECTION A-A  
(SCALE 20:1)

THIS DRAWING IS A CONTROLLED DOCUMENT FOR TYCO ELECTRONICS CORPORATION  
IT IS SUBJECT TO CHANGE AND THE CONTROLLING ENGINEERING ORGANIZATION  
SHOULD BE CONTACTED FOR THE LATEST REVISION.

DIMENSIONS: MM	TOLERANCES UNLESS OTHERWISE SPECIFIED: 0 <XX<10 ± 0.2 10<XX<30 ± 0.25 30<XX ± 0.3 ANGLES ± 3°
MATERIAL SEE TABLE	FINISH

RED	SILICONE	WIRE SEAL FOR EJ MK-II(+)	368280-1
COLOR	MATERIAL	DESCRIPTION	P/N
DWN		NAME	
CHK		WIRE SEAL FOR EJ MK-II(+) CONN'R (INSULATION DIA: Ø1.7-2.4mm)	
APVD		SIZE	
PRODUCT SPEC		CAGE CODE	
APPLICATION SPEC		DRAWING NO	
WEIGHT		RESTRICTED TO	
0.079 g		-	
CUSTOMER DRAWING		SCALE 10/1	
		SHEET 2 OF 2	
		REV E	

SEE SHEET 1 of 2

