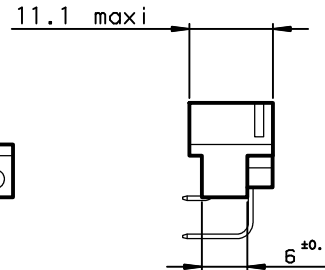
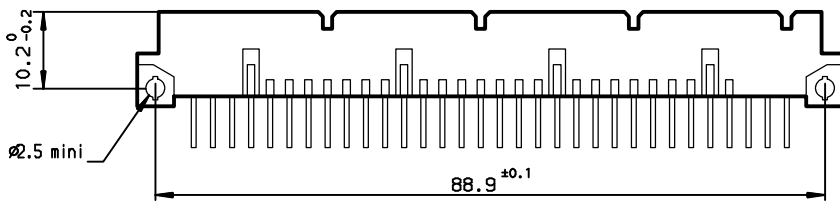
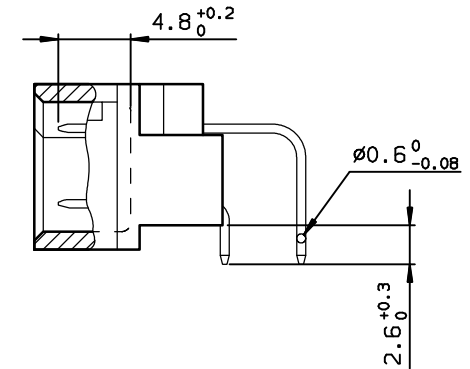


DIMENSIONS



TERMINATION

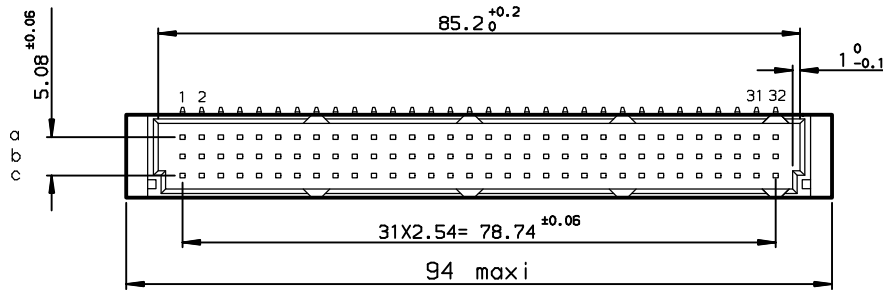


A

A

B

B



TIN LEAD PART NUMBER

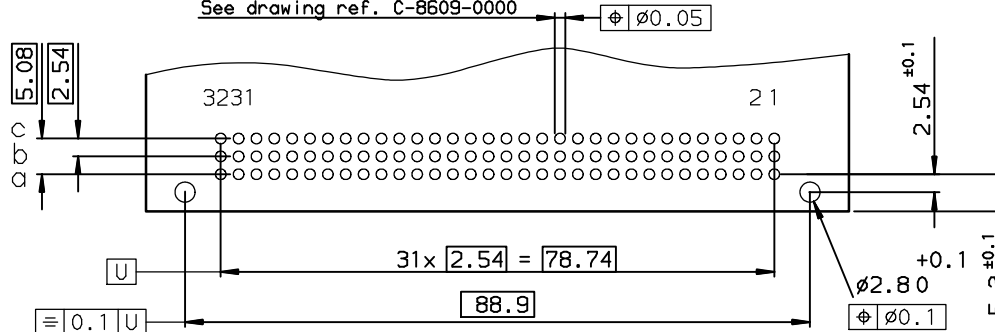
PART NUMBER
86094647113785000E1

LEAD FREE PART NUMBER

PART NUMBER
86094647113785E1LF

P.C. CARD DRILLING (Component side view)

See drawing ref. C-8609-0000



GENERAL CHARACTERISTICS AND ROHS INFORMATIONS:

SEE DRAWING C-8609-0000A

European Views

www.fciconnect.com		surface ISO 1302 ✓	tolerance std ISO 406 ISO 1101	projection mm
TOLERANCES UNLESS OTHERWISE SPECIFIED				
Dr	ROUILLARD	2001/02/06	ANGULAR	LINEAR
Eng	TARON	2001/02/06	0.x	±0.1
Chr	LEGARE	2001/02/06	0.xx	±0.1
Appr	LEGARE	2001/02/06	0.xxx	±0.1
Product family			DIN 8609	Spec ref -
title STANDARD MALE 3 ROW		chg no C-8609-0933		Rev. C
catalog no		CUSTOMER sheet 1 of 1		

rev	ecn no	dr	date
A	-	-	2001/02/06
B	LS05-001	JTA	2005/03/05
C	LS06-0095	LGO	2006/06/28
-	-	-	-
-	-	-	-
-	-	-	-
-	-	-	-



Copyright FCI.