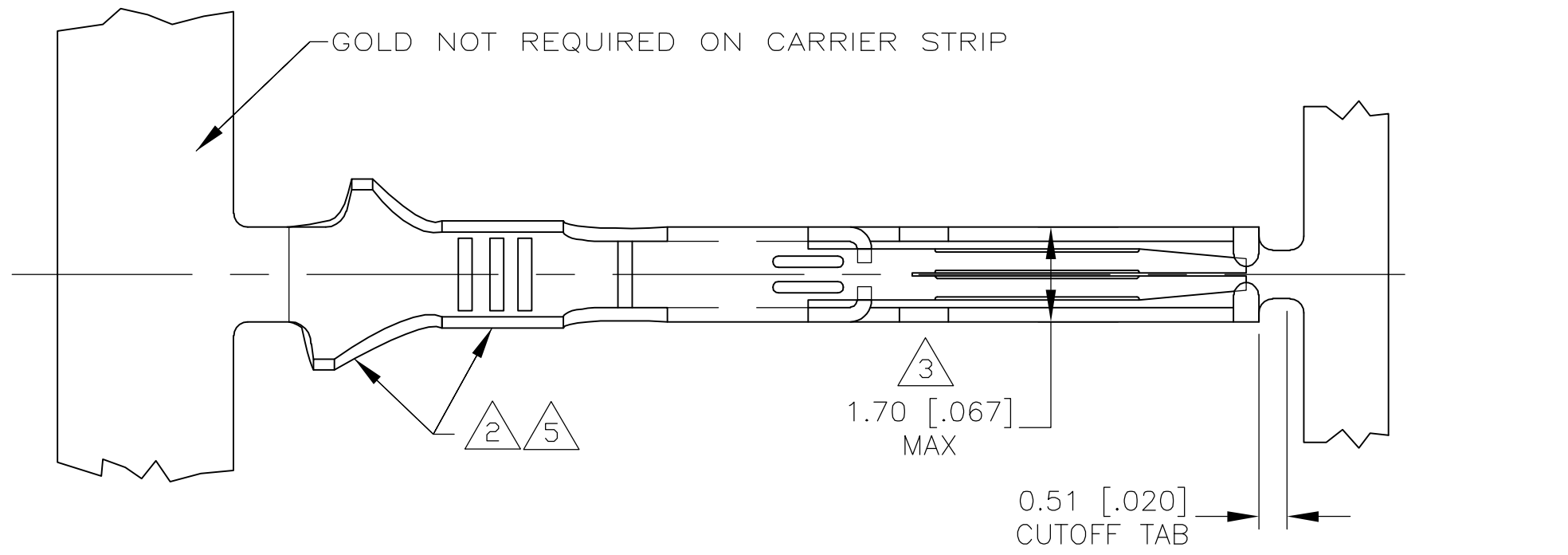
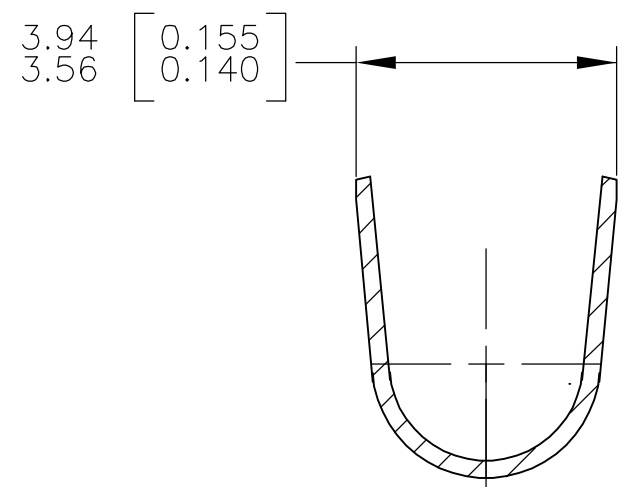
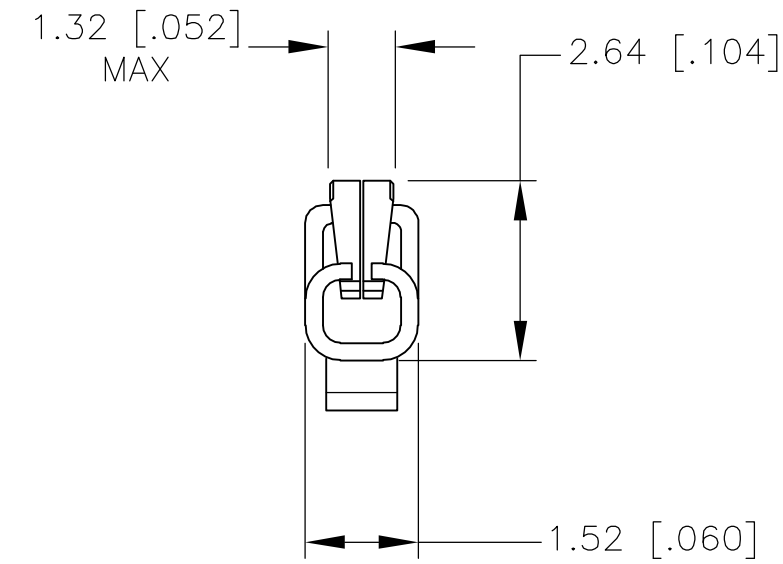
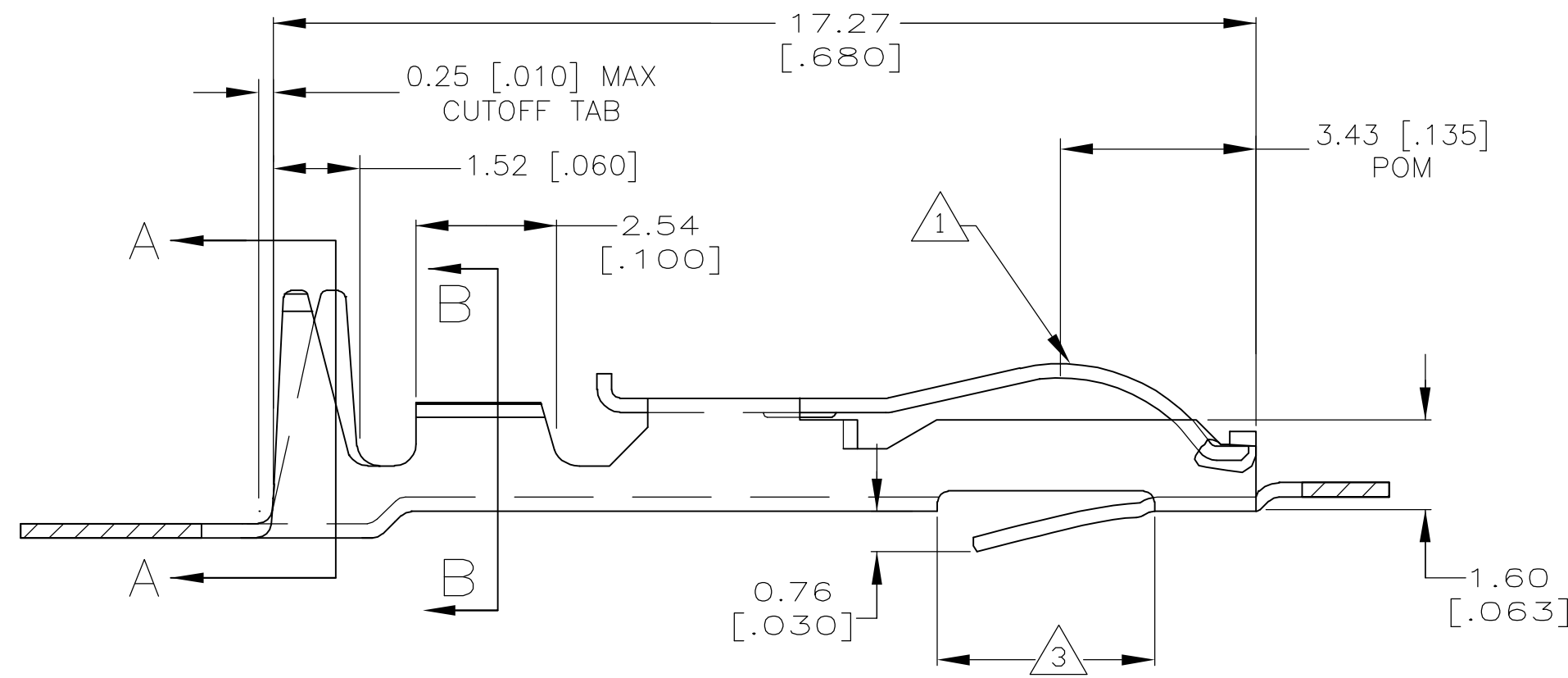


THIS DRAWING IS UNPUBLISHED. RELEASED FOR PUBLICATION
 © COPYRIGHT BY TYCO ELECTRONICS CORPORATION. ALL RIGHTS RESERVED.

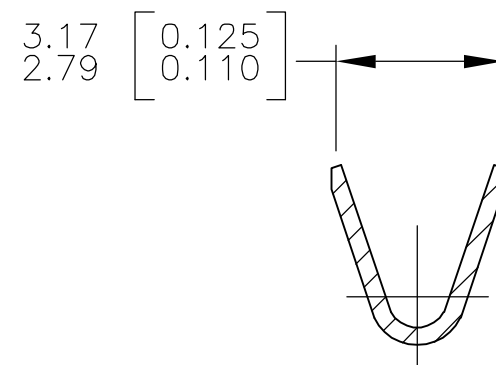
LOC	DIST	REVISIONS			
P	LTR	DESCRIPTION	DATE	DWN	APVD
GP	00	A	RELEASED PER EC 0S12-0017-05	03 JUN 05	AWF AWF



- 1 0.76 μm [.000030] MIN GOLD OVER 0.76 μm [.000030] MIN NICKEL IN CONTACT AREA.
- 2 MATTE TIN PLATE IN CRIMP AREA.
- 3 .067 MAX ALLOWED IN LOCKING LANCE AREA.
- 4. REEL QUANTITY = 7000 PIECES.



SECTION A-A
 INSULATION RANGE
 .100-.121 DIA



SECTION B-B
 WIRE RANGE
 #20-16

THIS DRAWING IS A CONTROLLED DOCUMENT.		DWN AL FRANTUM 03 JUN 05	Tyco Electronics Corporation Harrisburg, Pa 17105-3608	
DIMENSIONS: INCHES		CHK AL FRANTUM 03 JUN 05		
TOLERANCES UNLESS OTHERWISE SPECIFIED:		APVD	NAME CONTACT, CRIMP-SNAP, 20-16 AWG, TWIN LEAF	
0 PLC ± - 1 PLC ± - 2 PLC ± 0.13 [.005] 3 PLC ± - 4 PLC ± - ANGLES ± 2° FINISH		PRODUCT SPEC	SIZE A2	CAGE CODE 00779
MATERIAL COPPER ALLOY		APPLICATION SPEC	DRAWING NO C=5147431	RESTRICTED TO -
		WEIGHT -	SCALE 10:1	SHEET 1 OF 1
		CUSTOMER DRAWING	REV A	