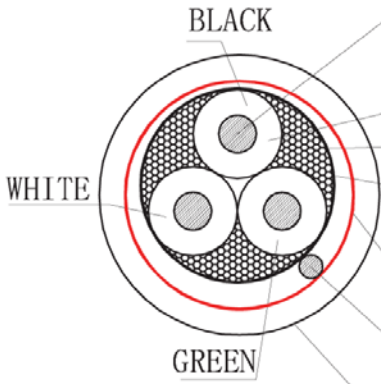
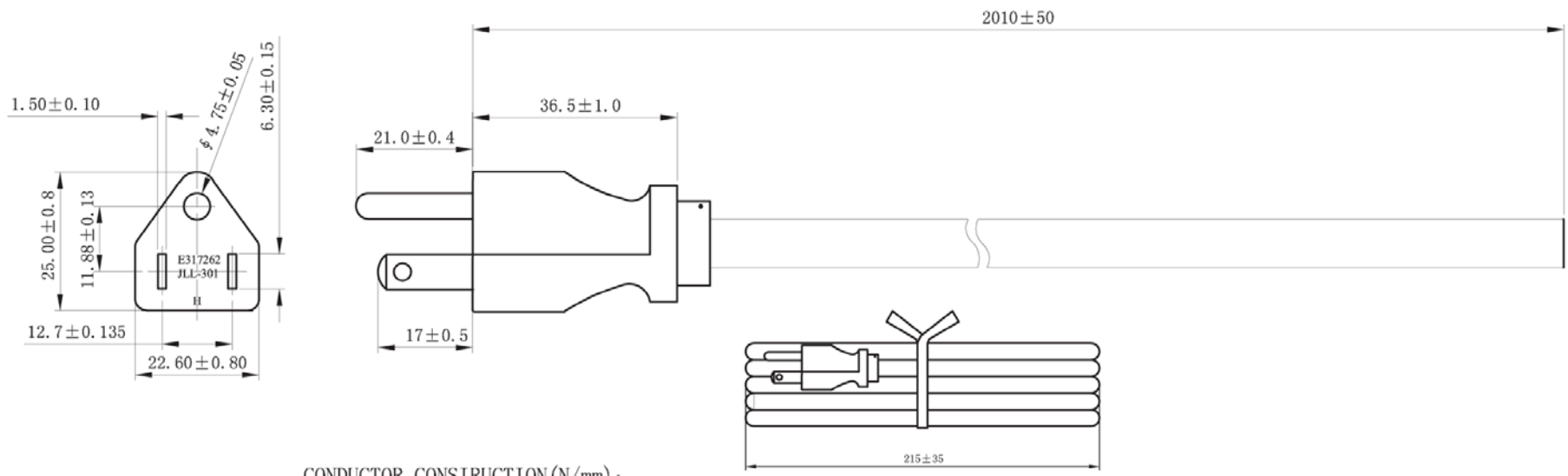


A
B
C
D
E
F
G
H

A
B
C
D
E
F
G
H



CONDUCTOR CONSTRUCTION (N/mm) :
41/0.16AS

PVC INSULATION AVERAGE THICKNESS: 0.76mm
ID: 2.80 ± 0.1mm

Fill

Wrapping

Aluminum/Mylar (Conducting face drainage wire)

Drain wire
16/0.16TXR

PVC JACKET AVERAGE THICKNESS: 0.76mm
OD: 8.80 ± 0.15mm

Material:

- E243711(UL) SJT 3 x 18AWG(0.824MM²)
Shielded, 105°C 300V VW-1
- CSA 228191
- Jacket Color: Black
- E-Green, L-Black, N-White

Electrical:

- 100% Open & Short Testing
- Insulation Resistance: 100MΩ (Min.)
- Voltage: 500V DC / 1 Min.

Unit: MM

Scale	1:1					Name	Item No.							
TOLERANCE					Drawn	12.27.11	AK500-OE-8-2							
X.X	±0.40				Approved									
X.XX	±0.25													
X.XXX	±0.15													
Angle	±3°													
<table border="1"> <tr> <td>Modification</td> <td>Date</td> <td>Name</td> </tr> <tr> <td></td> <td></td> <td></td> </tr> </table>							Modification	Date	Name				Drawing No.	rev00
							Modification	Date	Name					
Replace		Sheet												

