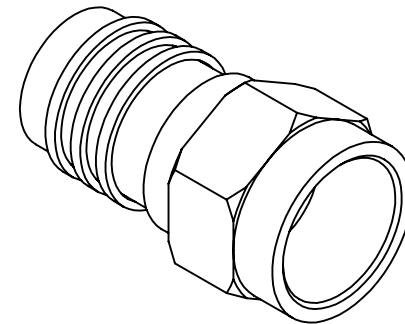
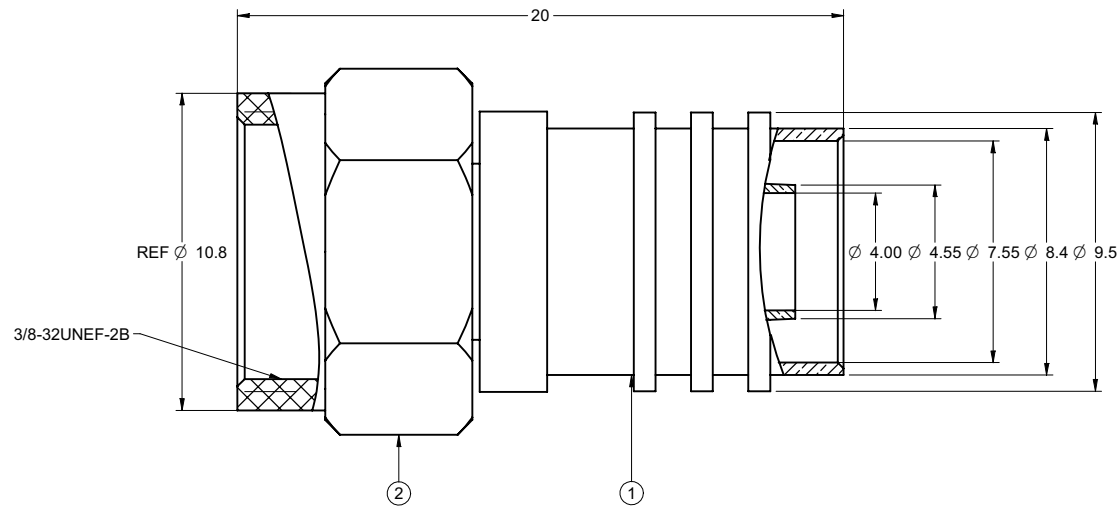
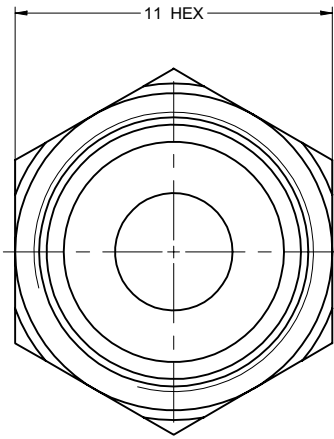


PART NUMBER	ITEM ① BODY	ITEM ② NUT
25-7030	BRASS NICKEL PLATED	ZINC NICKEL PLATED

受控 CONTROLLED DOCUMENT			
编号 P/N	25-7030	版本 Rev	01
日期 Rel'd Date	May8,09		

DRAWING NO. 25-7030
REVISIONS
01 OFFICIAL RELEASE
04-13-09 U U Thomas Chow 2009.05.04 16:29:13-18'00"



NOTES:

1. TECHNICAL DETAIL: REFER TO EMERSON DOCUMENT P/N 25-0000

THIS DRAWING TO BE INTERPRETED
PER ANSI Y 14.5M - 1994

COMPANY CONFIDENTIAL

TOLERANCE UNLESS OTHERWISE SPECIFIED:		DRAWN BY BETTY.YU	DATE 04-13-09
DECIMALS	mm	CHECKED BY BETTY.YU	DATE 04-13-09
X	+ 0.5	APPROVED BY THOMAS	DATE 04-13-09
X.X	+ 0.2		
X.XX	+ 0.1		
ANGLES	+ 0.5°	U/M	mm

EMERSON
Network Power

Connectivity Solutions

TITLE
F-59ALM W/ ATT. 1/2 RING RG-59

THIS DRAWING WAS PRODUCED BY COMPUTER,
DO NOT SCALE DRAWING OR UPDATE MANUALLY.

SHEET 1 OF 1	DRAWING NO. 25-7030	SIZE C
-----------------	------------------------	-----------