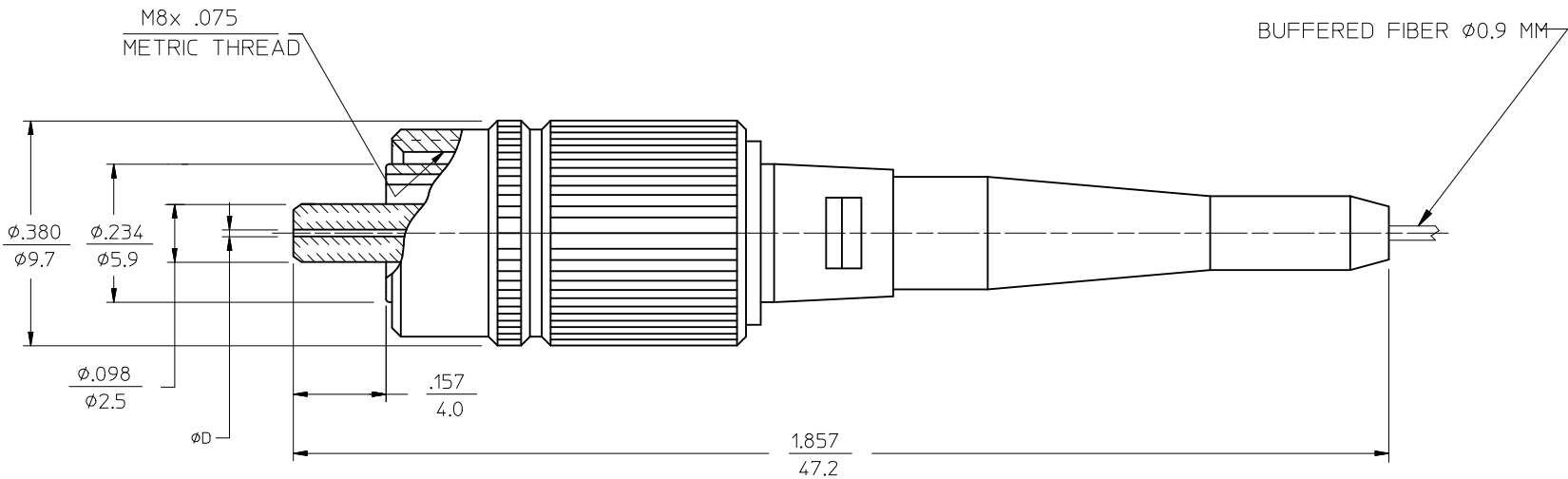


FCII CONNECTOR P/N	øD (µm)	BOOT COLOR	CABLE TYPE
106053-0500	127	BLACK	MULTIMODE
106053-2500	125.5	YELLOW	SINGLE MODE
106053-2580	125.5	RED	
106053-3500	128	BLACK	MULTIMODE
106053-4500	125	YELLOW	SINGLE MODE
106053-5500	126		
106053-5520*			
106053-5580	126	RED	
106053-7500	127	YELLOW	



NOTES:

- DUST CAP IS NOT SHOWN.
- P/N 106053-5520 IS BULK PACKED IN QUANTITIES OF 100 PCS.

ENTER DESCRIPTION EC NO: MF2006-0424 DRAWN: RPACIFICI 2006/01/24 CHKD: 2006/01/24 APPR: LGUMIN 2006/01/24	QUALITY SYMBOLS ▼=0 ▽=0	GENERAL TOLERANCES (UNLESS SPECIFIED) <table border="1"> <thead> <tr> <th></th> <th>mm</th> <th>INCH</th> </tr> </thead> <tbody> <tr> <td>4 PLACES</td> <td>± .005</td> <td>± .0004</td> </tr> <tr> <td>3 PLACES</td> <td>± .003</td> <td>± .0002</td> </tr> <tr> <td>2 PLACES</td> <td>± .002</td> <td>± .0001</td> </tr> <tr> <td>1 PLACE</td> <td>± .001</td> <td>± .00005</td> </tr> </tbody> </table>		mm	INCH	4 PLACES	± .005	± .0004	3 PLACES	± .003	± .0002	2 PLACES	± .002	± .0001	1 PLACE	± .001	± .00005	DIMENSION STYLE IN/MM	SCALE 4:1	DESIGN UNITS INCH	THIRD ANGLE PROJECTION
		mm	INCH																		
	4 PLACES	± .005	± .0004																		
	3 PLACES	± .003	± .0002																		
2 PLACES	± .002	± .0001																			
1 PLACE	± .001	± .00005																			
DRAFT WHERE APPLICABLE MUST REMAIN WITHIN DIMENSIONS		DRAWN BY: RPACIFICI DATE: 2005/12/22	TITLE FC CONNECTOR (BARE FIBER)																		
		APPROVED BY: _____ DATE: _____	MOLEX INCORPORATED																		
		MATERIAL NO. SEE TABLE	DOCUMENT NO. SD-106053-X5X0		SHEET NO. 1 OF 1																