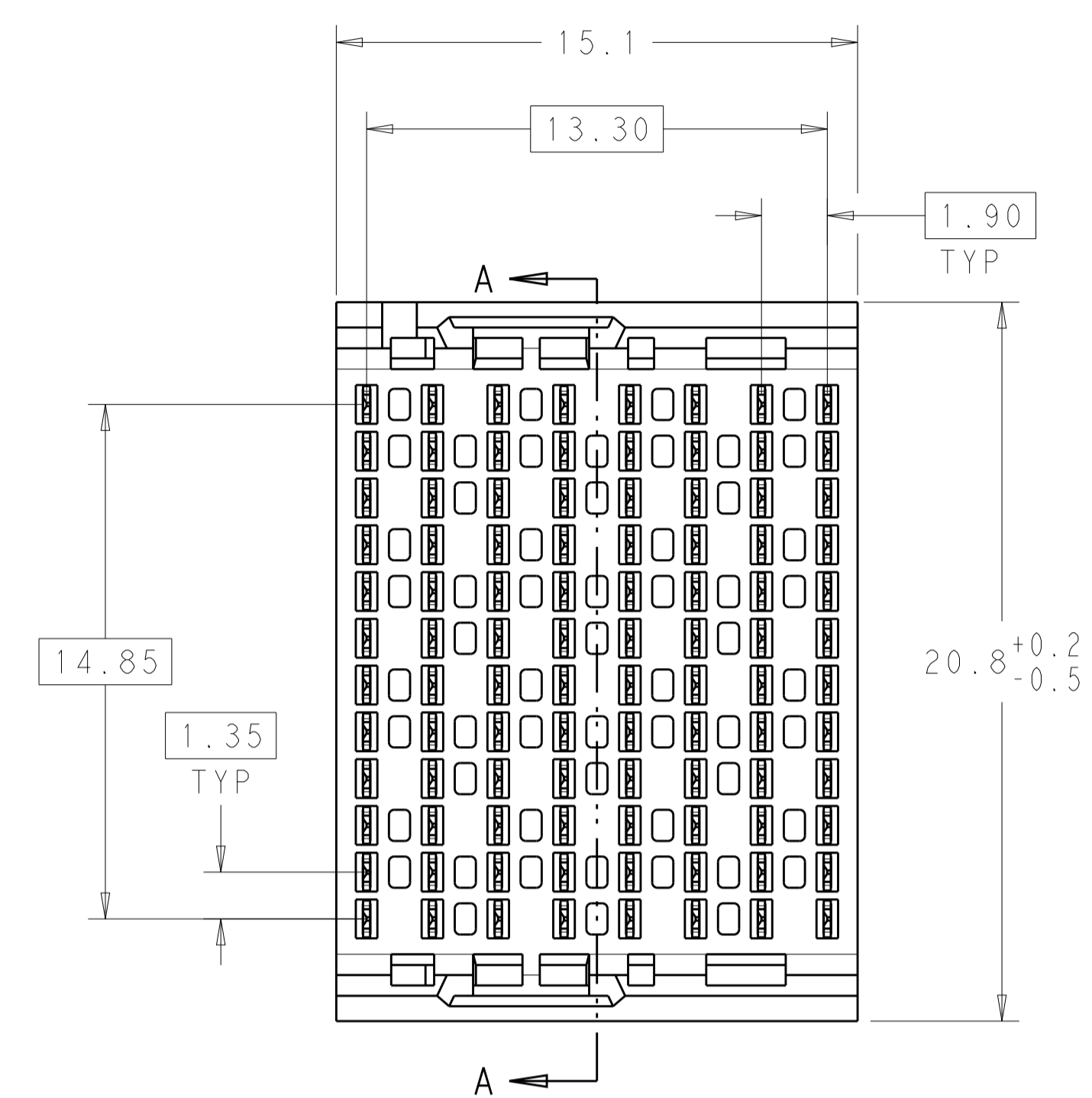
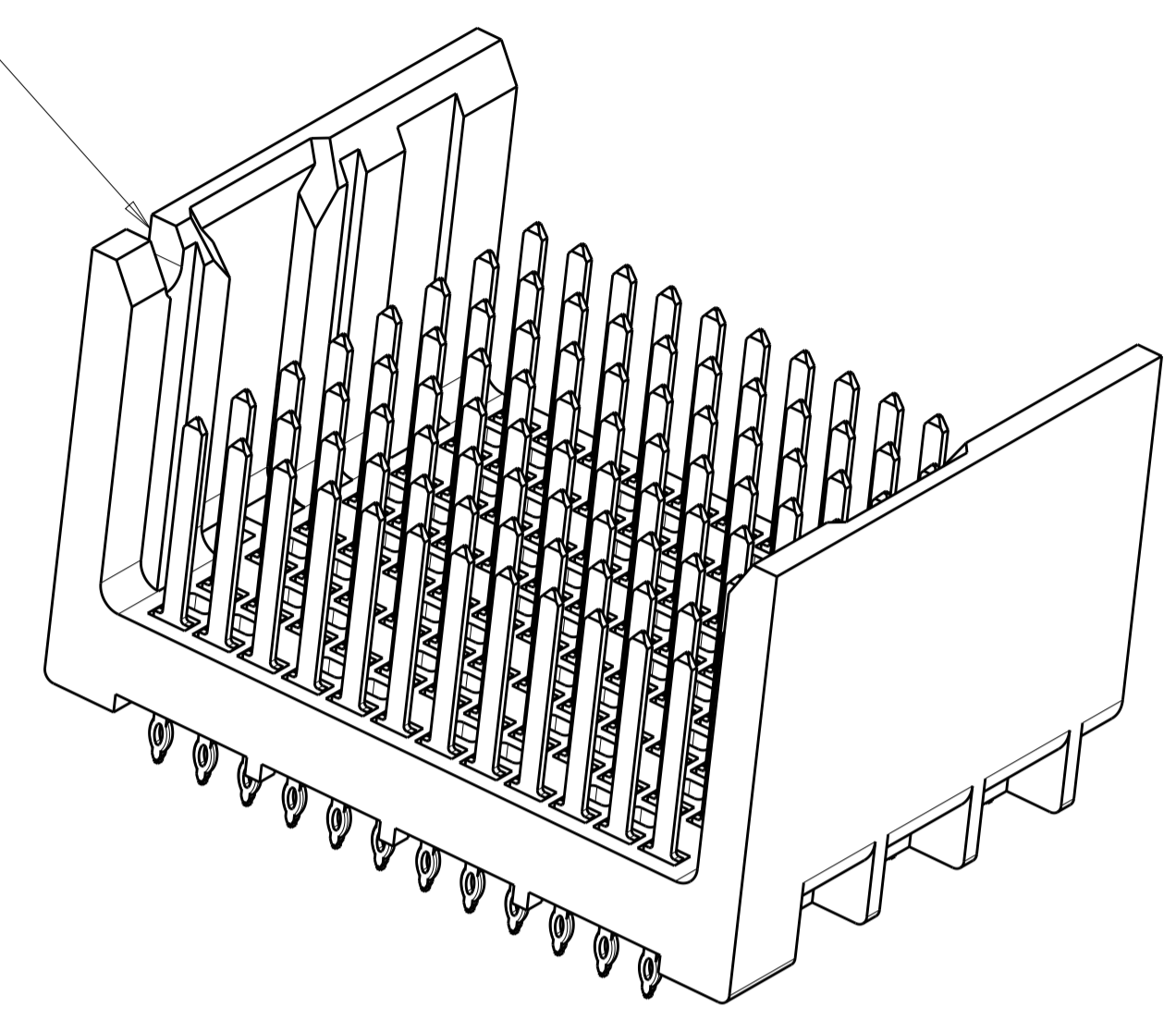


REVISIONS				
P.	LTN	DESCRIPTION	DATE	DWN APVD
A1		REVISED PER ECO-15-001494	05FEB2015	AP DD

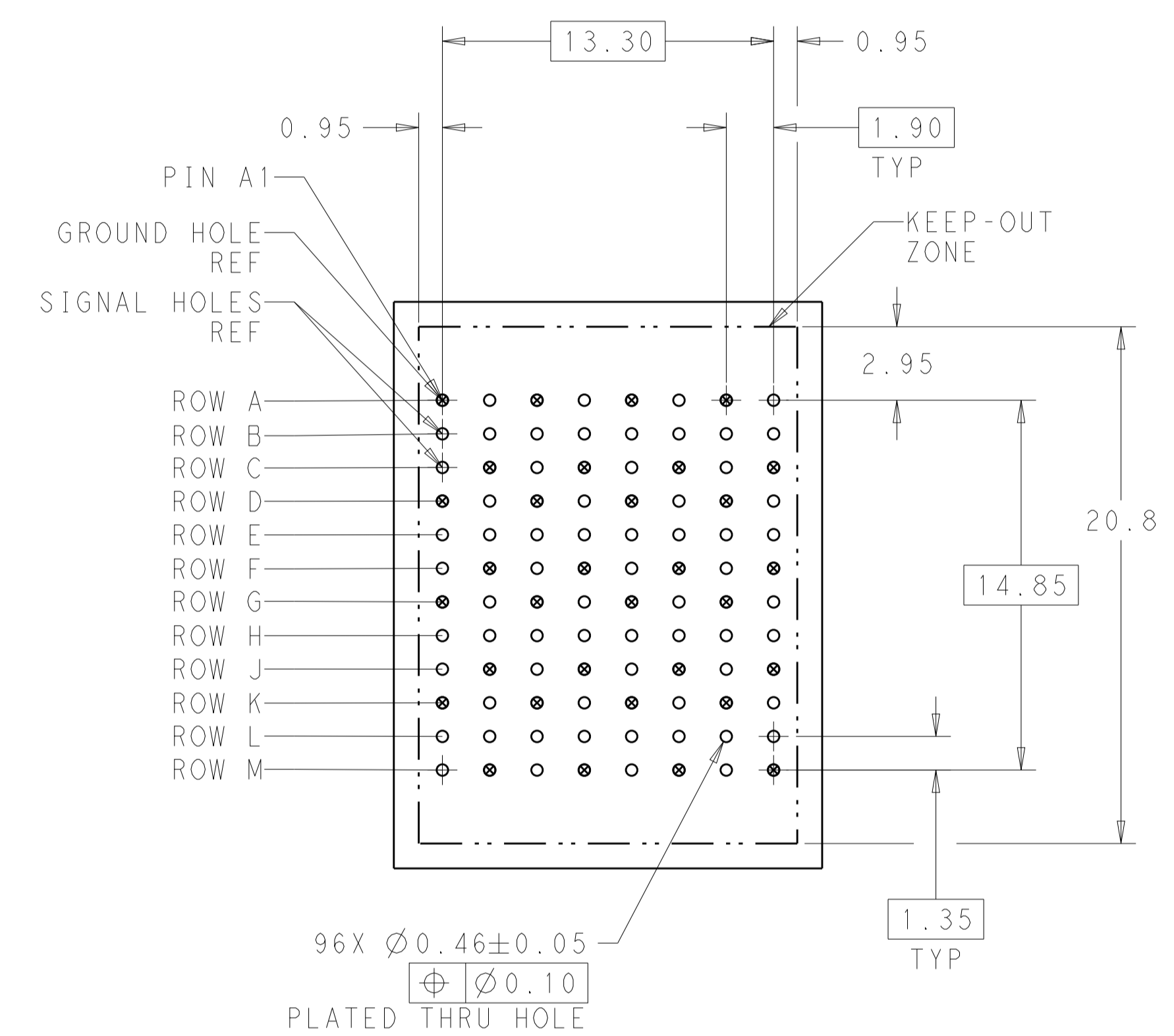


NOTCH DESIGNATES ROW A

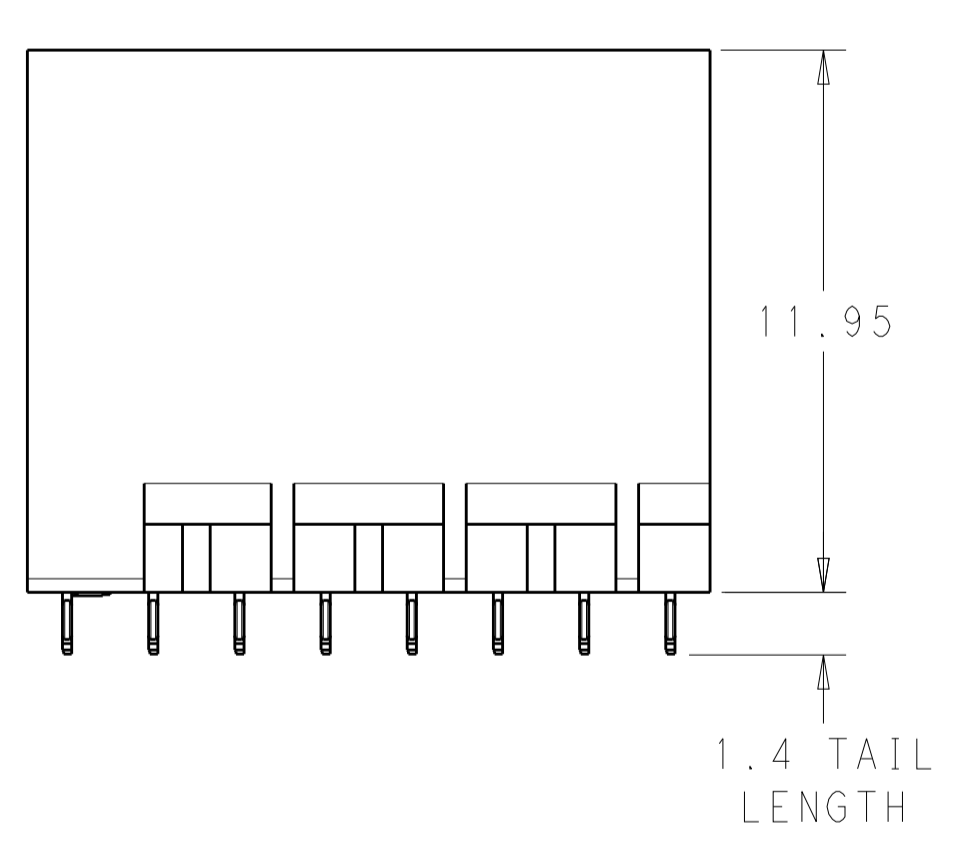


1 MATERIAL:
 HOUSING: LCP, GLASS FILLED, UL94V-0.
 TERMINALS: HIGH PERFORMANCE COPPER ALLOY.

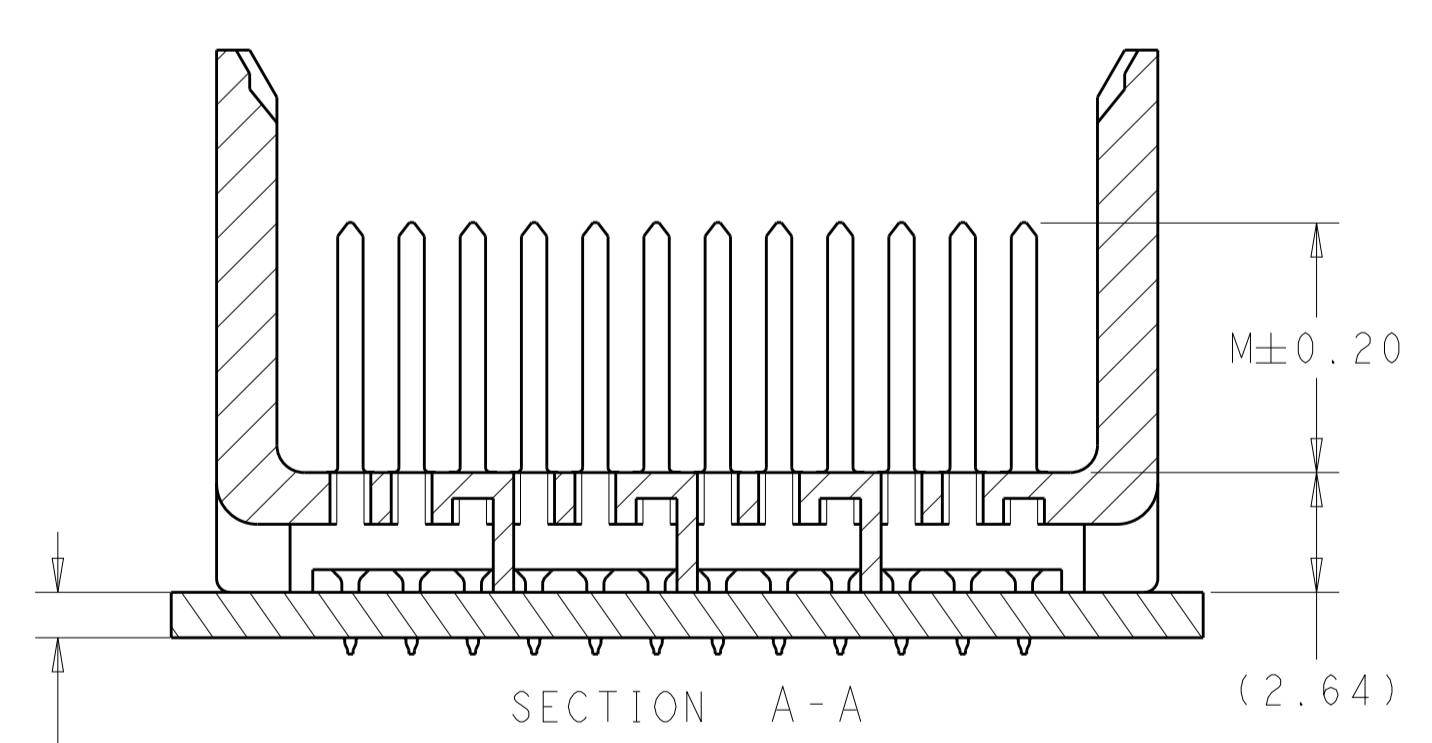
2 FINISH:
 30μ" MIN GOLD IN CONTACT AREA. SELECTIVE TIN
 ON PCB TAILS, NICKEL OVERALL.



UNGUIDED
 BACKPLANE HOLE PATTERN
 (CONNECTOR SIDE)



1.00
 MINIMUM BOARD
 THICKNESS



THIS DRAWING IS A CONTROLLED DOCUMENT.		DWN R. GRZYBOWSKI 14JUN2011	TE Connectivity	
DIMENSIONS:		CHK J. EARY 14JUN2011		
mm	TOLERANCES UNLESS OTHERWISE SPECIFIED:	APVD J. EARY 14JUN2011	NAME IMPACT, 4 PAIR, 8 COLUMN, HEADER UNGUIDED, OPEN END WALL SIGNAL MODULE, 0.46 PTH	
	0 PLC ± 1 PLC ±0.25 2 PLC ±0.13 3 PLC ± 4 PLC ± ANGLES ±	PRODUCT SPEC	SIZE CAGE CODE DRAWING NO. RESTRICTED TO	
MATERIAL	FINISH SEE TABLE	APPLICATION SPEC	A100779C=2057442	
WEIGHT		CUSTOMER DRAWING	SCALE 6:1 SHEET 1 OF 2 REV A1	

THIS DRAWING IS UNPUBLISHED. RELEASED FOR PUBLICATION 20
 © COPYRIGHT 20 BY - ALL RIGHTS RESERVED.

REVISIONS					
P.	LTN	DESCRIPTION	DATE	DMN	APVD
-	-	SEE SHEET 1	-	-	-

	5.5	2057442-3
	4.9	2057442-2
	4.5	2057442-1
FINISH	DIM M	PART NUMBER

REFER TO WWW.TE.COM
FOR PRODUCT AVAILABILITY

THIS DRAWING IS A CONTROLLED DOCUMENT.		DMN R. GRZYBOWSKI	14JUN2011		TE Connectivity
		CHK J. EARY	14JUN2011		
DIMENSIONS:		APVD J. EARY		NAME	
mm	TOLERANCES UNLESS OTHERWISE SPECIFIED:	PRODUCT SPEC		IMPACT, 4 PAIR, 8 COLUMN, HEADER	
	0 PLC ±	APPLICATION SPEC		UNGUIDED, OPEN END WALL	
	1 PLC ±0.25	RESTRICTED TO		SIGNAL MODULE, 0.46 PTH	
	2 PLC ±0.13	SIZE		CAGE CODE	
	3 PLC ±	DRAWING NO		DRAWING NO	
	4 PLC ±	WEIGHT		A100779C=2057442	
	ANGLES ±	CUSTOMER DRAWING		SCALE 5:1 SHEET 2 OF 2 REV A1	
MATERIAL	FINISH	CUSTOMER DRAWING		SCALE 5:1 SHEET 2 OF 2 REV A1	
-	SEE TABLE	CUSTOMER DRAWING		SCALE 5:1 SHEET 2 OF 2 REV A1	
-	-	CUSTOMER DRAWING		SCALE 5:1 SHEET 2 OF 2 REV A1	