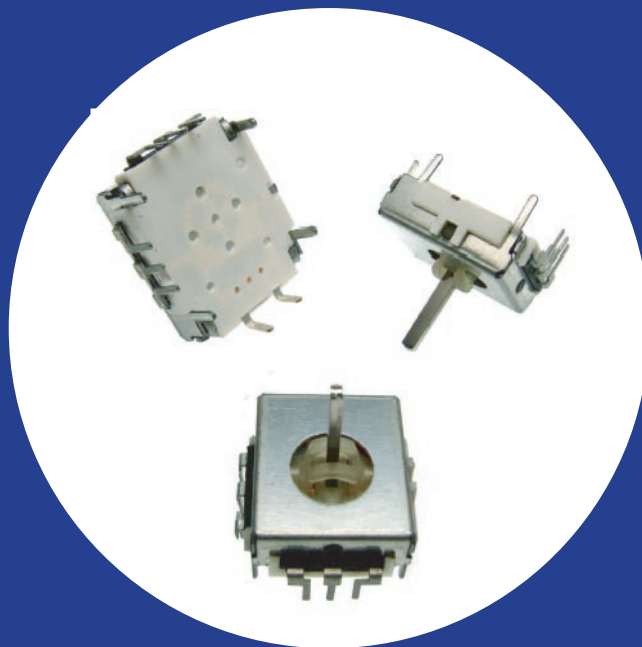


## Two Axis, Half-height Mini-joystick With Optional Momentary Switch

### Features

- Compact Size: 20x18x6mm (.79"x.71"x.24")
- Long Life 1 Million Cycles
- Optional momentary switch is operational at all rotations
- Sturdy metal case with convenient mounting tabs
- RoHS compliant



Pat. No: US 6,654,005 , Taiwan: 176676, China ZL02123347

## Electrical and Mechanical Specifications

### Potentiometer 1 & 2

#### Resistance Range

10 K ohms through 200 K ohms

#### Resistance Tolerance

Standard:  $\pm 30\%$

Special:  $\pm 10\%$ ,  $\pm 20\%$  available

#### Dielectric Strength

250 VAC 60 Hz for 1 minute

#### Insulation Resistance

100 Megohms @ 250 VDC

#### Operation Torque

180  $\pm$  50 gf.cm

#### Power Rating

0.0125 watt @ 50°C, derated to load @ 85°C

#### Maximum Operating Voltage

50 VAC or 5 VDC maximum

#### Angle of Rotation

54° maximum

#### Life

1,000,000 cycles

### Available Switch

#### Type

Momentary

#### Contact Resistance

100 milliohms maximum initially

200 milliohms max after 250,000 cycles  
switching 5 mA @ 5VDC

#### Dielectric Strength

250 VAC 60 Hz for 1 minute

#### Insulation Resistance

100 Megohms minimum @ 100 VDC for 1 minute

#### Operational Force

1,200  $\pm$  260 gf

#### Power Rating

5 VDC, 5 mA maximum

#### Travel

0.5  $\pm$  0.4mm

#### Switch Life

250,000 cycles

# Electrical and Mechanical Specifications

## Potentiometer 1 & 2

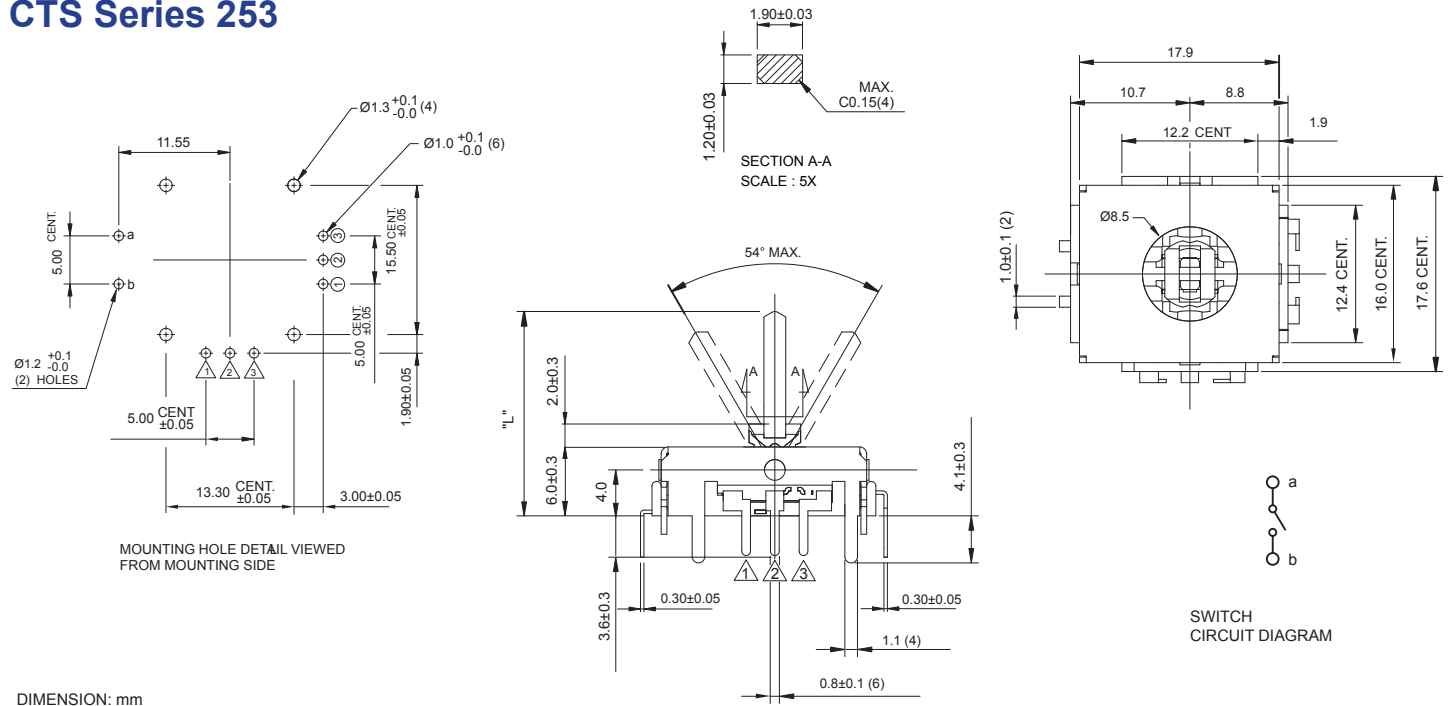
**Operating Temperature**  
-10°C to + 70°C

**Mounting Information**  
PC Terminals

**Soldering Conditions**  
260 ± 5°C for 5 seconds

**Caution**  
Please use extra mechanism to restrict rotational angle at less than 54 degree or there will be bumpy or rugged rotational feeling

## CTS Series 253



## Ordering Information

