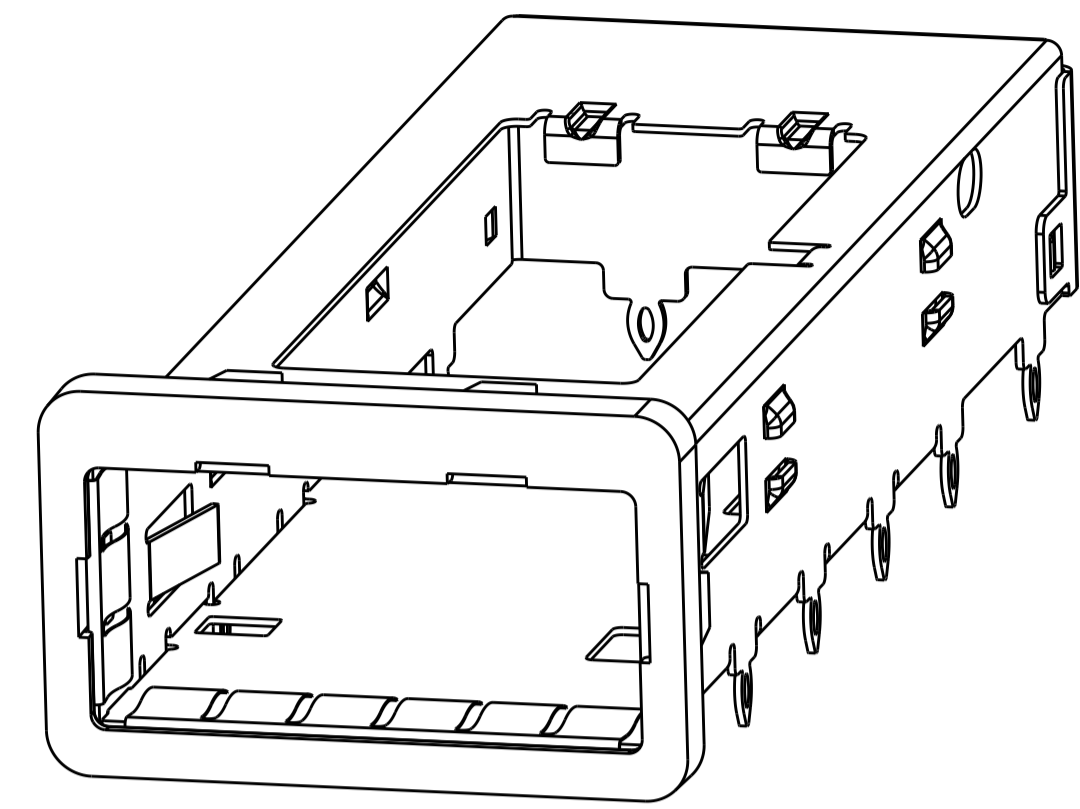
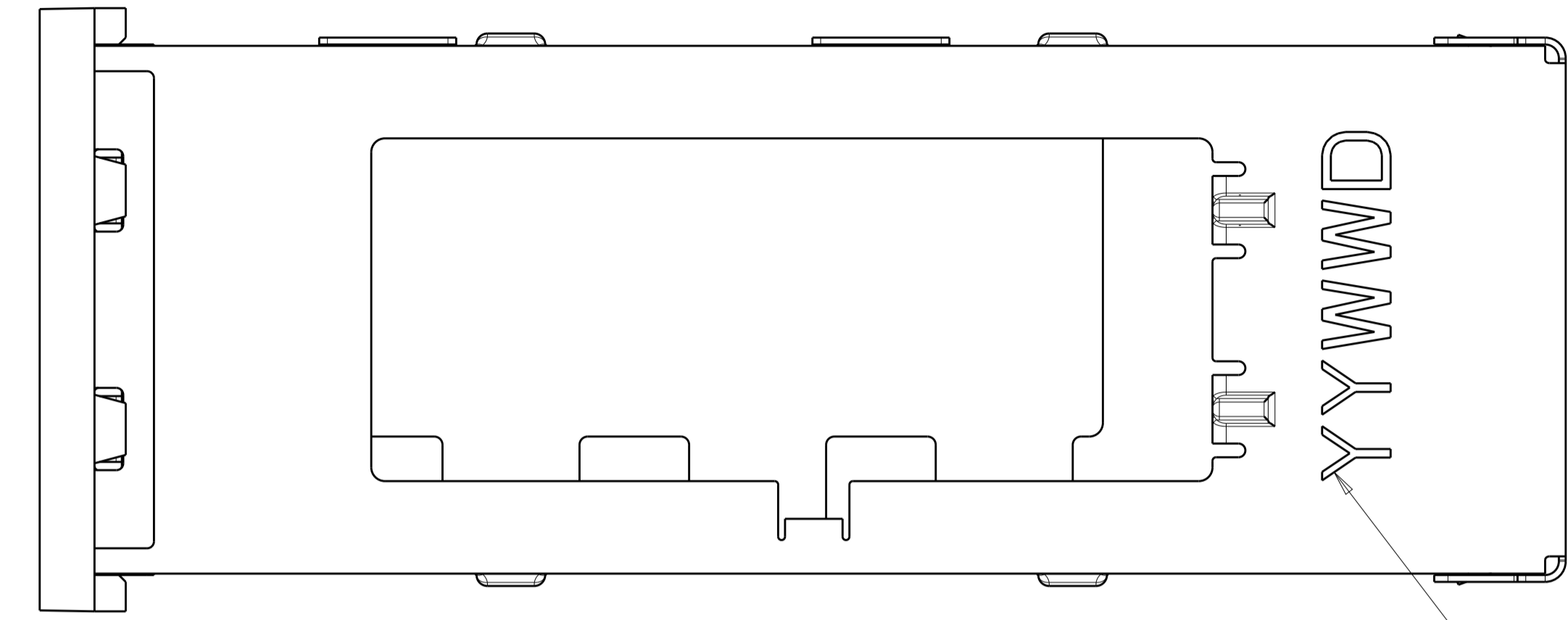


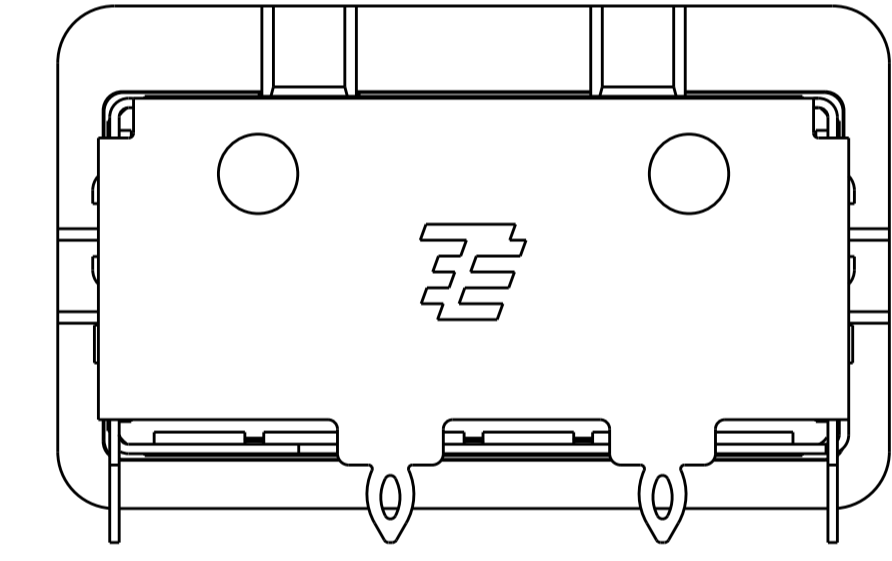
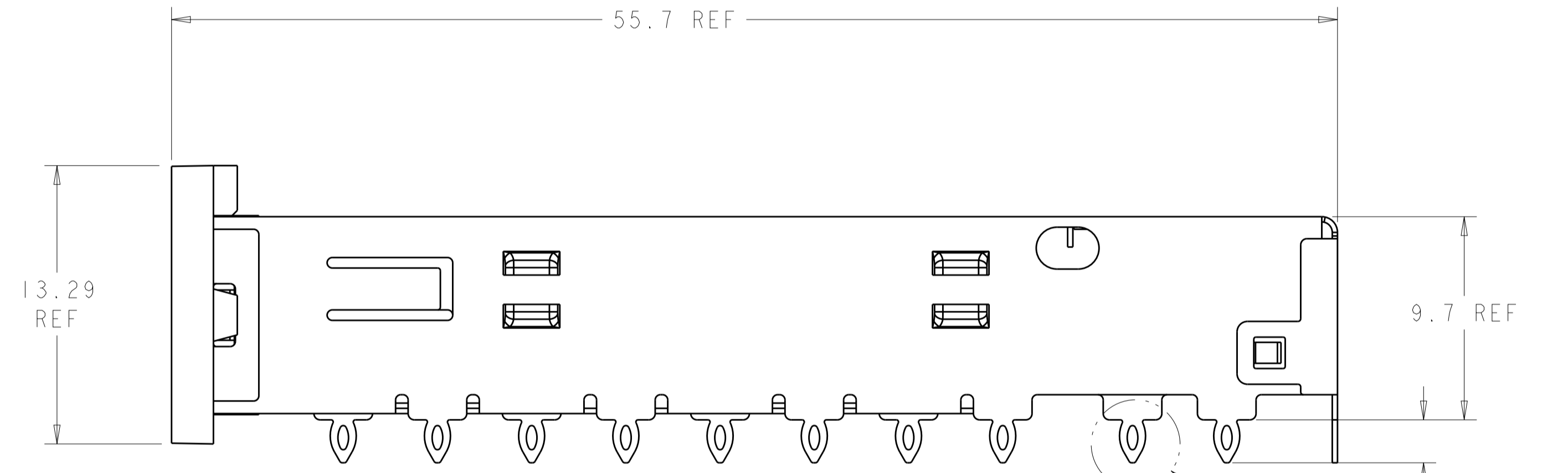
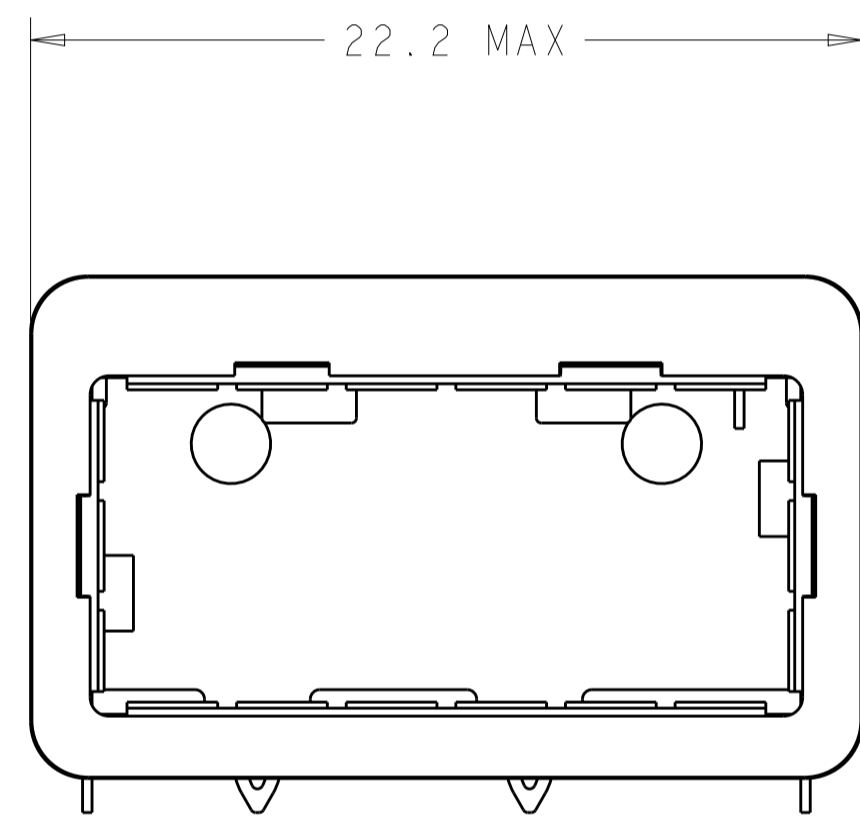
LOC	DIST	REVISIONS			
P	LTN	DESCRIPTION	DATE	DWN	APVD
GP	00	A	RELEASED PER ECO-13-000076	17JAN2013	CJV EDB



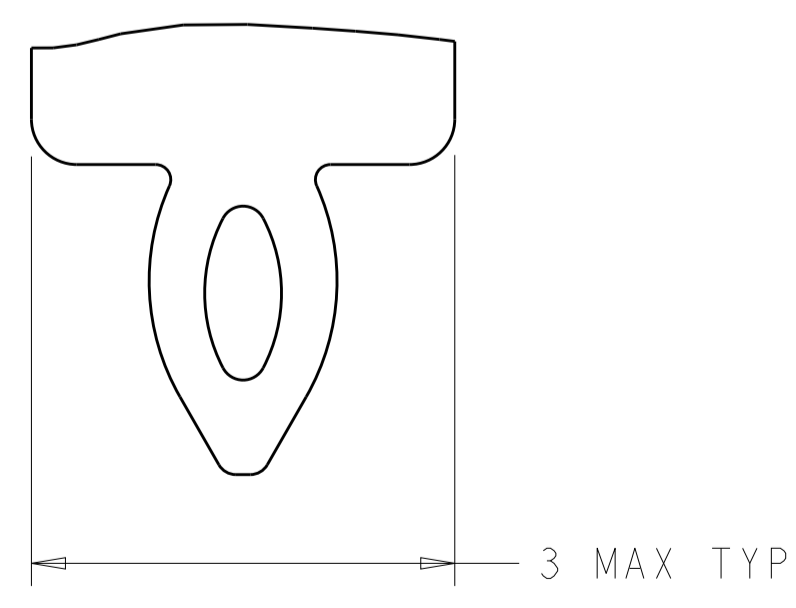
ISOMETRIC VIEW
SCALE 4:1



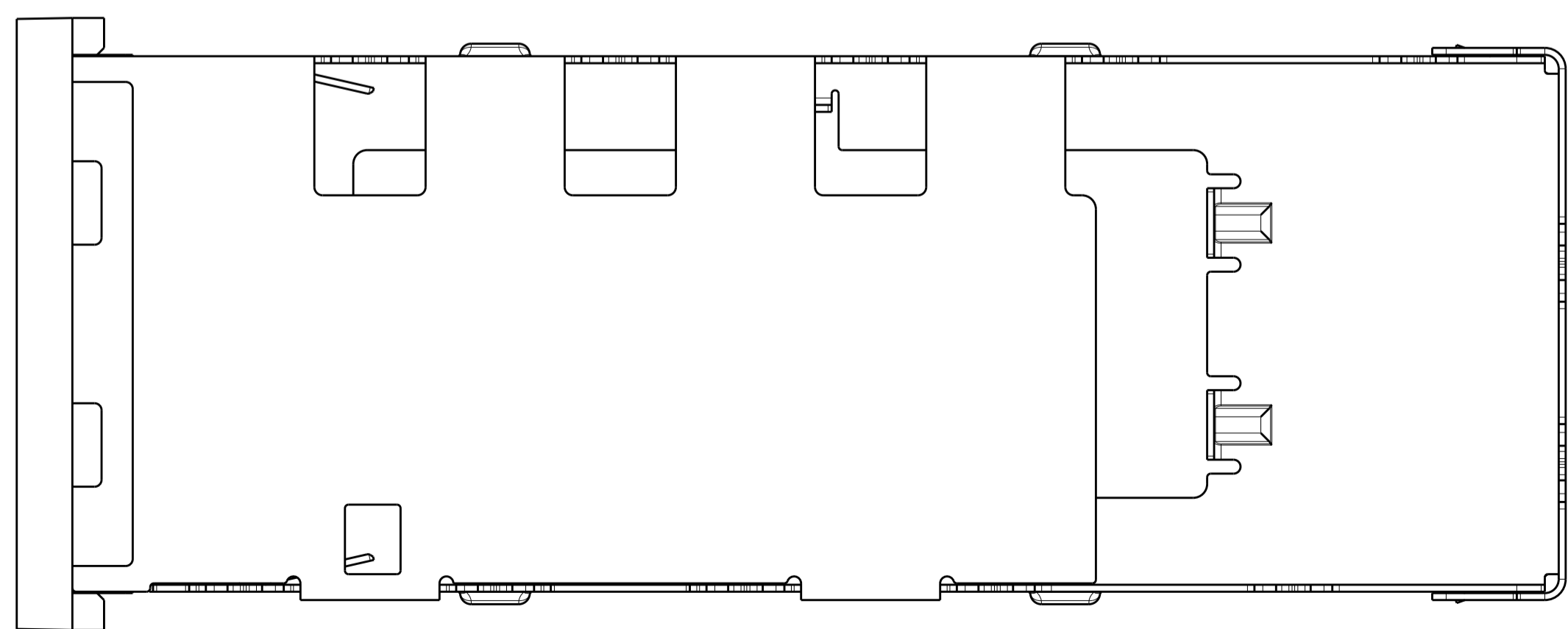
- 1 SURFACE TRACES PERMITTED WITHIN THIS LENGTH EXCEPT WHERE CAGE STANDOFFS, SHOWN IN DETAIL J, CONTACT PC BOARD.
- 2 MINIMUM PITCH DIMENSION.
- 3. MATES WITH QSFP MSA COMPATIBLE TRANSCEIVER.
- 4 REFERENCE APPLICATION SPEC 114-13218 FOR RECOMMENDED DRILL HOLE DIAMETER AND PLATING THICKNESS.
- 5 DATUM AND BASIC DIMENSIONS ESTABLISHED BY CUSTOMERS.
- 6 DIMENSION C IS THE NOMINAL THICKNESS OF CUSTOMER SUPPLIED PC BOARD,
SINGLE SIDED PC BOARD MINIMUM THICKNESS: 1.45
DOUBLE SIDED PC BOARD MINIMUM THICKNESS: 2.7.
- 7 DATUM A IS TOP SURFACE OF THE HOST BOARD.
- 8 DATE CODE (YYWWDD) MARKED APPROXIMATELY AS SHOWN.
- 9 CAGE MATERIAL: 0.25 THICK NICKEL SILVER
EMI SPRING MATERIAL: COPPER ALLOY
FRONT FLANGE MATERIAL: ZINC ALLOY.
- 10 EMI SPRING FINISH: 2µm MIN TIN
FRONT FLANGE FINISH: 3µm MIN THICK TIN OVER 1.27µm
MIN THICK NICKEL OVER 5.08µm
MIN THICK COPPER.



SEE DETAIL J



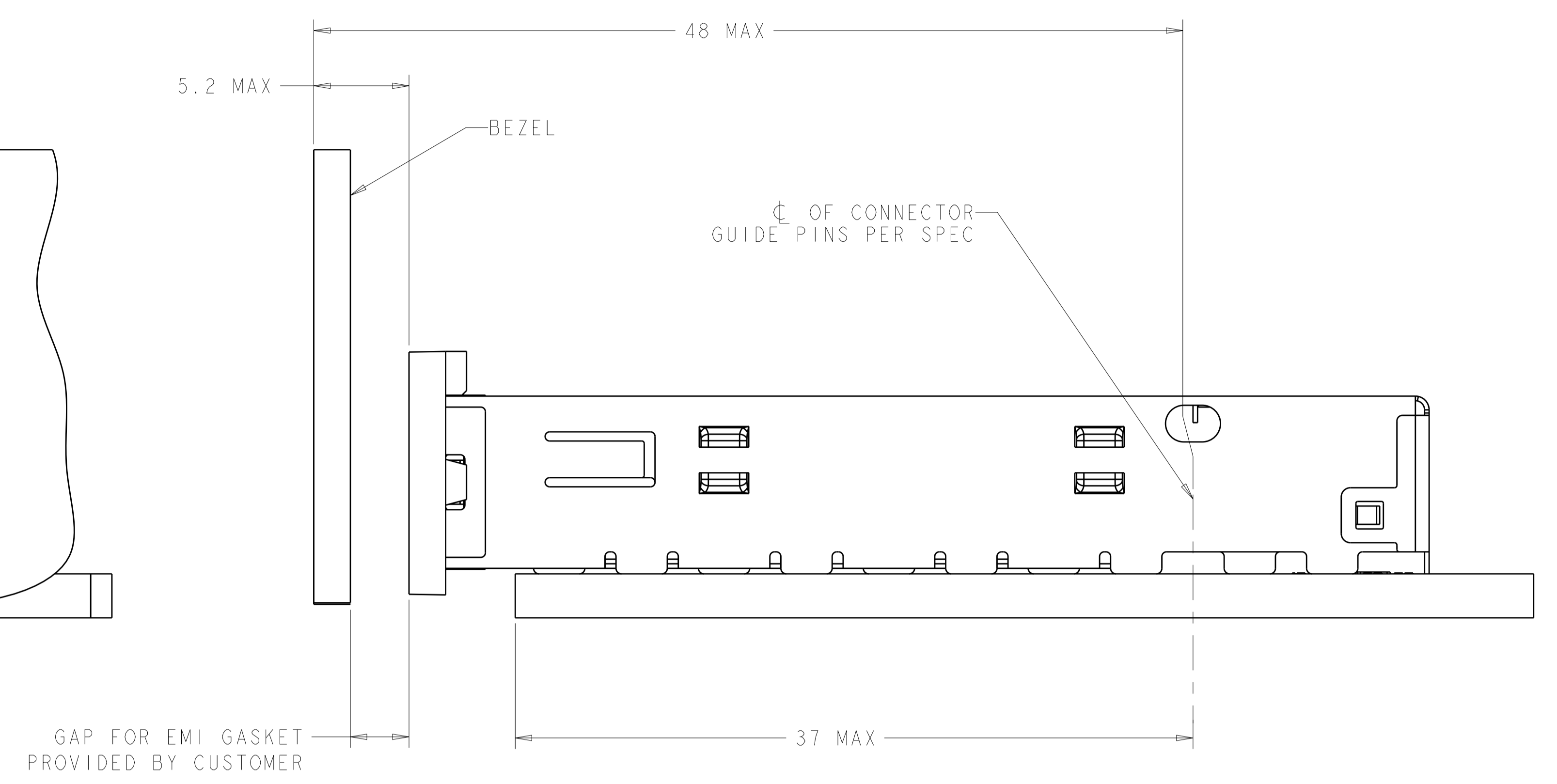
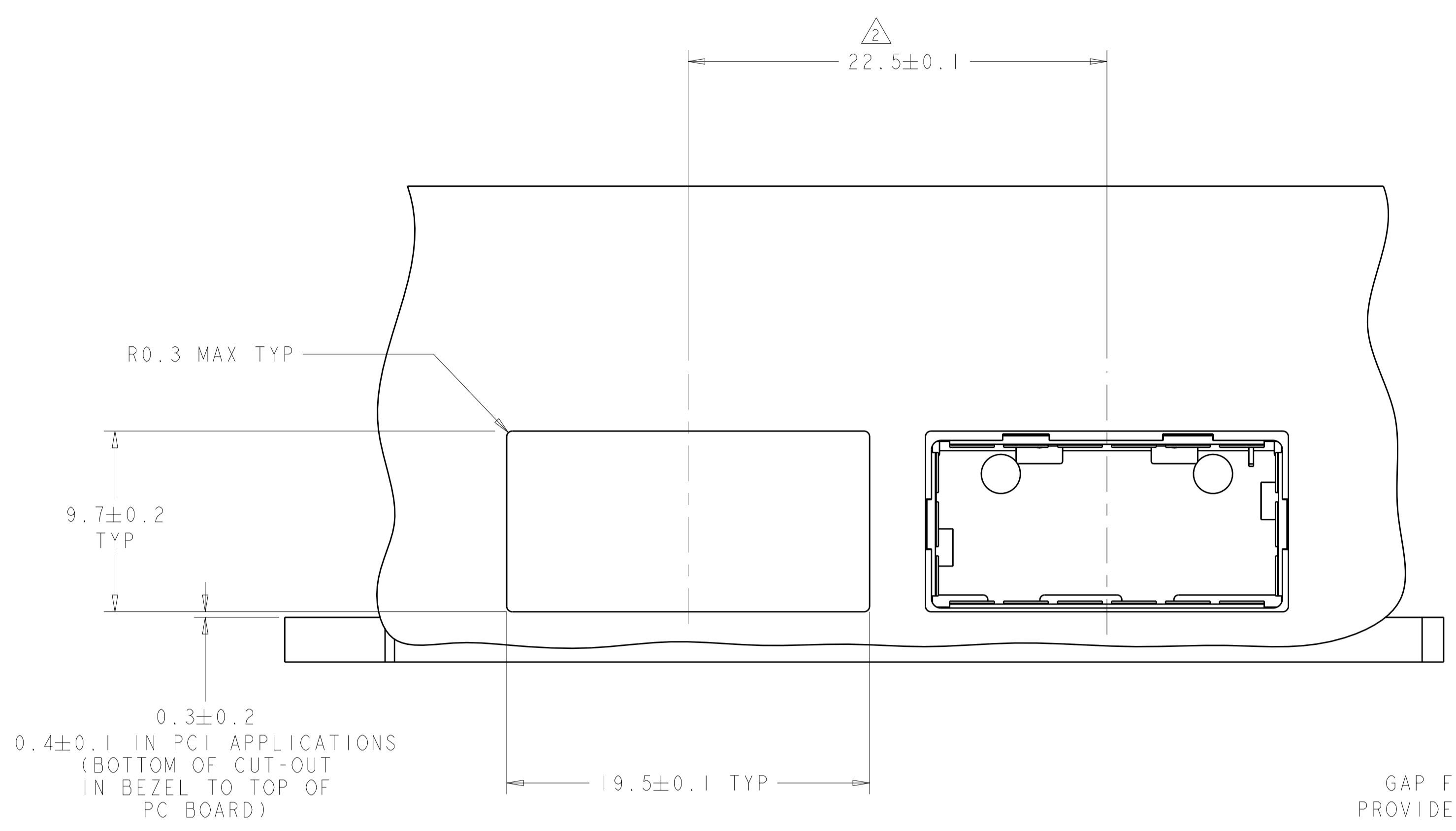
DETAIL J
SCALE 20:1



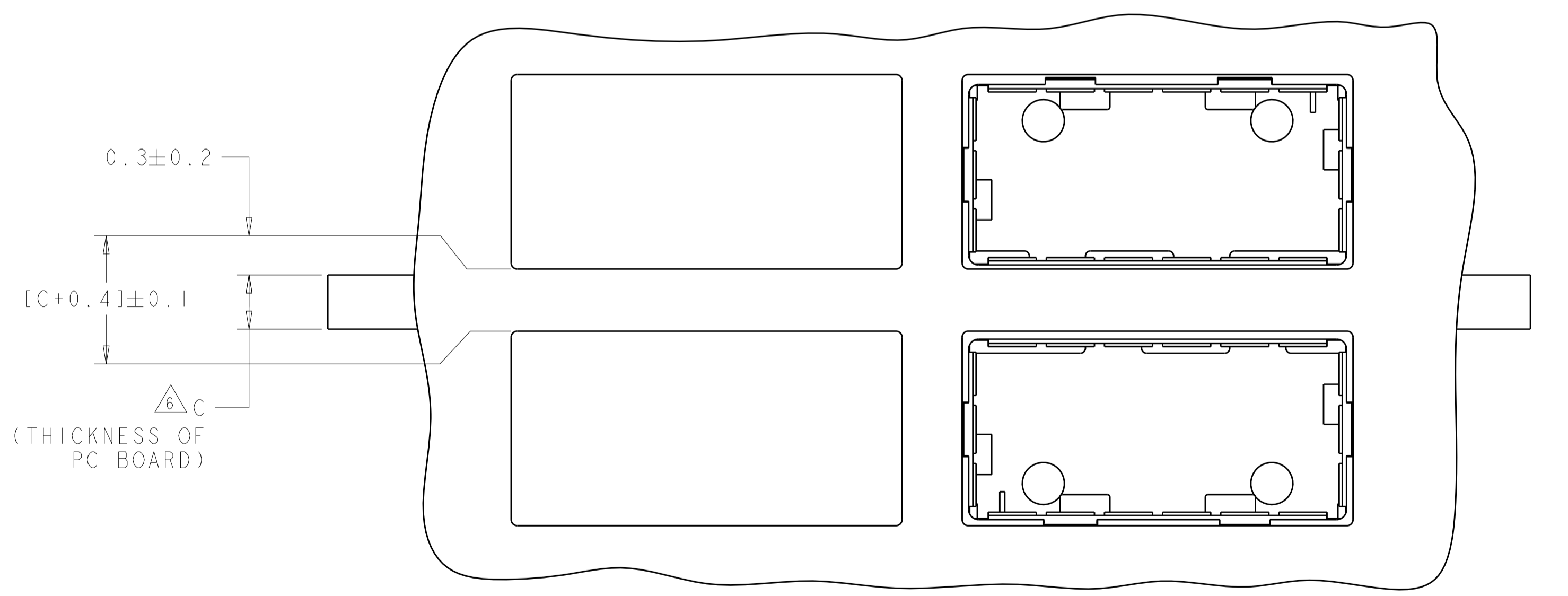
1551891-1
PART NUMBER

THIS DRAWING IS A CONTROLLED DOCUMENT. DIMENSIONING AND TOLERANCING PER ASME Y14.5M-2009.		DWN: E.ZIJLSTRA 08NOV2010 CHK: R.VERBEET 08NOV2010 APVD: T.D.ROER 08NOV2010	TE Connectivity NAME CAGE ASSEMBLY, BEHIND BEZEL, QSFP PRODUCT SPEC - APPLICATION SPEC -	
DIMENSIONS: mm MATERIAL: FINISH:	TOLERANCES UNLESS OTHERWISE SPECIFIED: 0 PLC ±0.13 1 PLC ±0.13 2 PLC ±0.13 3 PLC ±0.13 4 PLC ±0.13 ANGLES ±0.13	SIZE CAGE CODE DRAWING NO A100779C=1551891 RESTRICTED TO -	SCALE 5:1 SHEET 1 of 4 REV A	

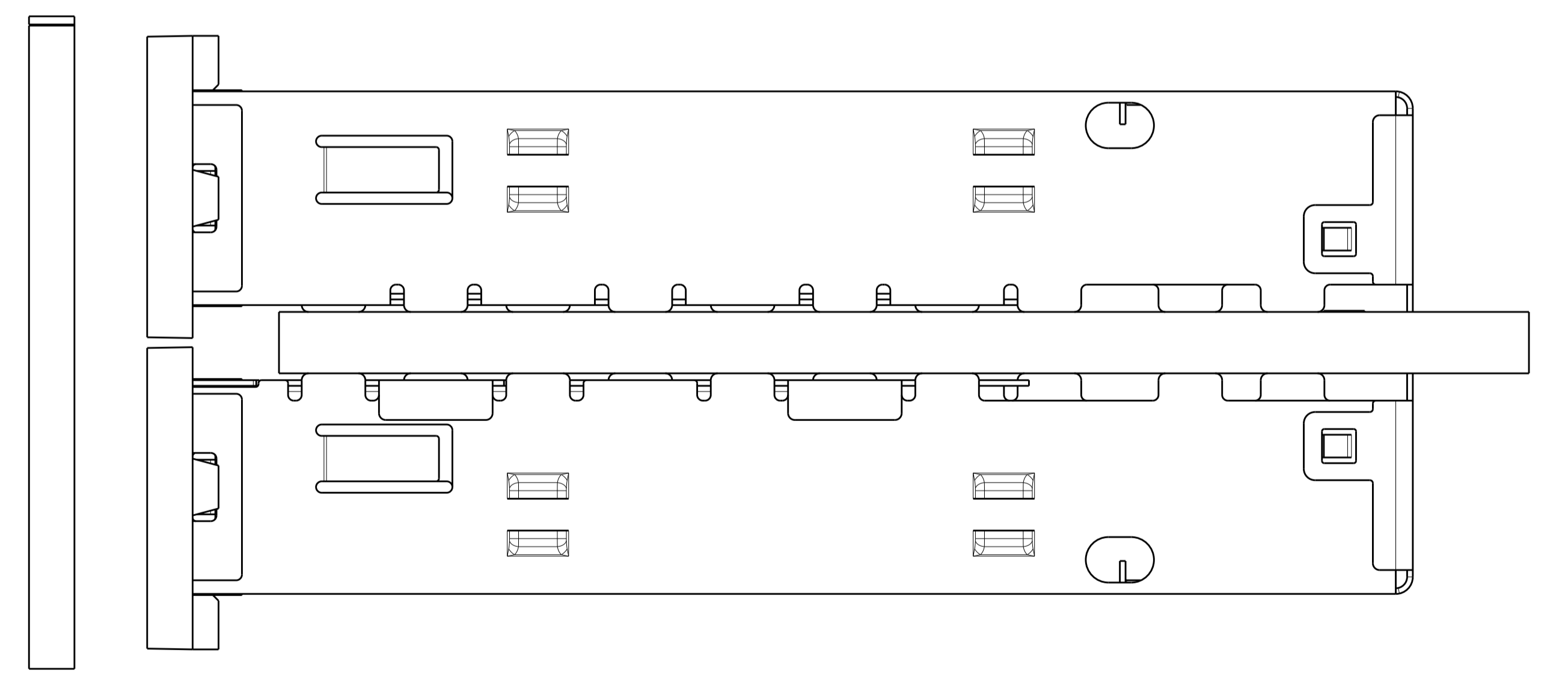
LOC	DIST	REVISIONS					
GP	00	P	LTN	DESCRIPTION	DATE	DWN	APVD
-	-	-	-	SEE SHEET 1	-	-	-



ONE SIDED CONFIGURATION

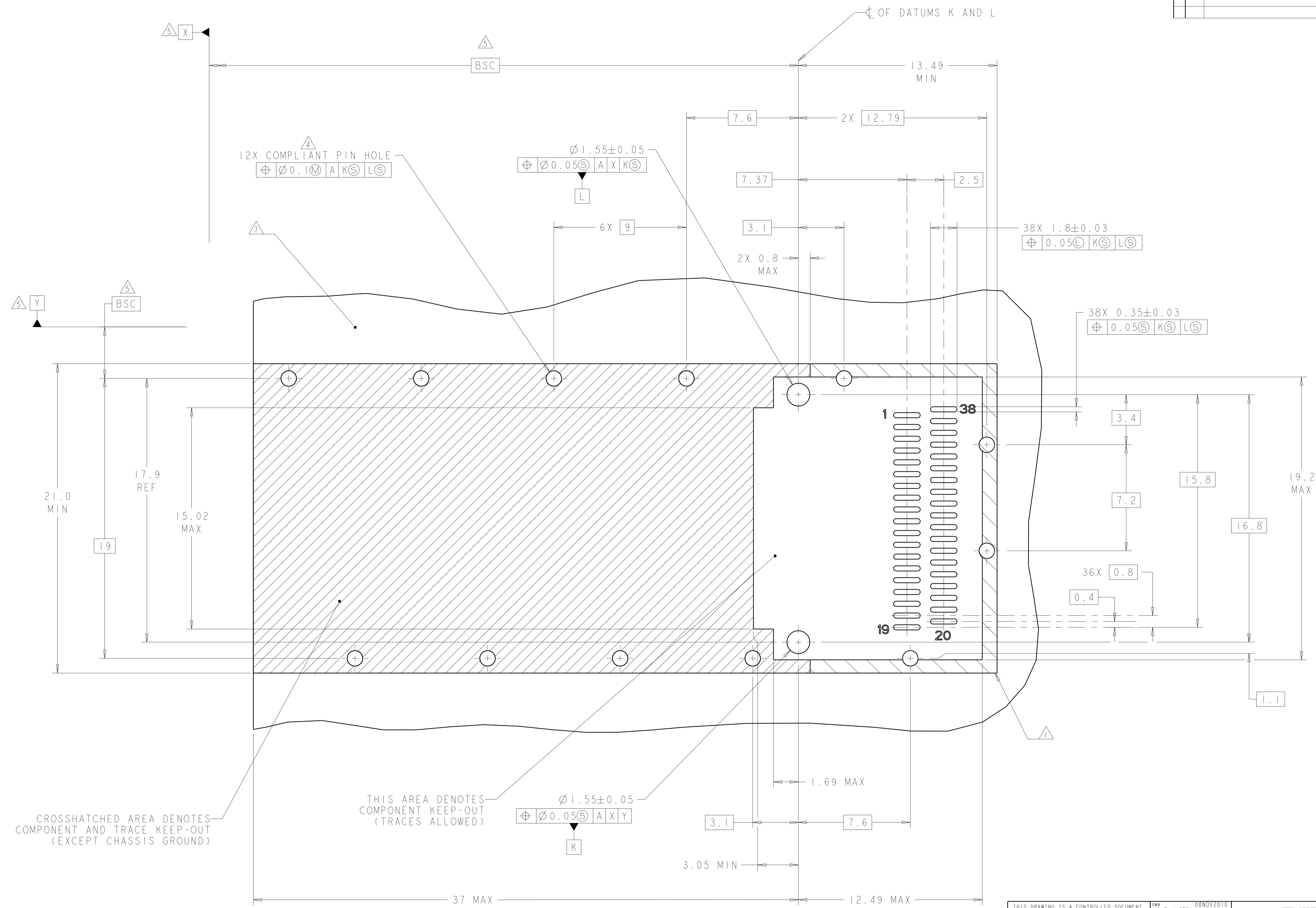


BELLY TO BELLY CONFIGURATION
 SIMILAR TO ONE SIDED EXCEPT
 WHERE NOTED



THIS DRAWING IS A CONTROLLED DOCUMENT. DIMENSIONING AND TOLERANCING PER ASME Y14.5M-2009.		DWN E. ZIJLSTRA 08NOV2010	CHK R. VERBEET 08NOV2010	APVD T. D. ROER 08NOV2010	NAME CAGE ASSEMBLY, BEHIND BEZEL, ZQSF
DIMENSIONS: mm		TOLERANCES UNLESS OTHERWISE SPECIFIED:			SIZE A100779
0 PLC ±0.13		1 PLC ±0.13			RESTRICTED TO
2 PLC ±0.13		3 PLC ±0.13			
4 PLC ±0.13		ANGLES ±0.13			
MATERIAL FINISH		WEIGHT			SCALE 5:1
		CUSTOMER DRAWING			SHEET 2 OF 4

LOC	DIST	REV	DATE	BY	APPV
GP	00				
REVISIONS					
		DESCRIPTION	DATE	BY	APPV
		SEE SHEET 1			



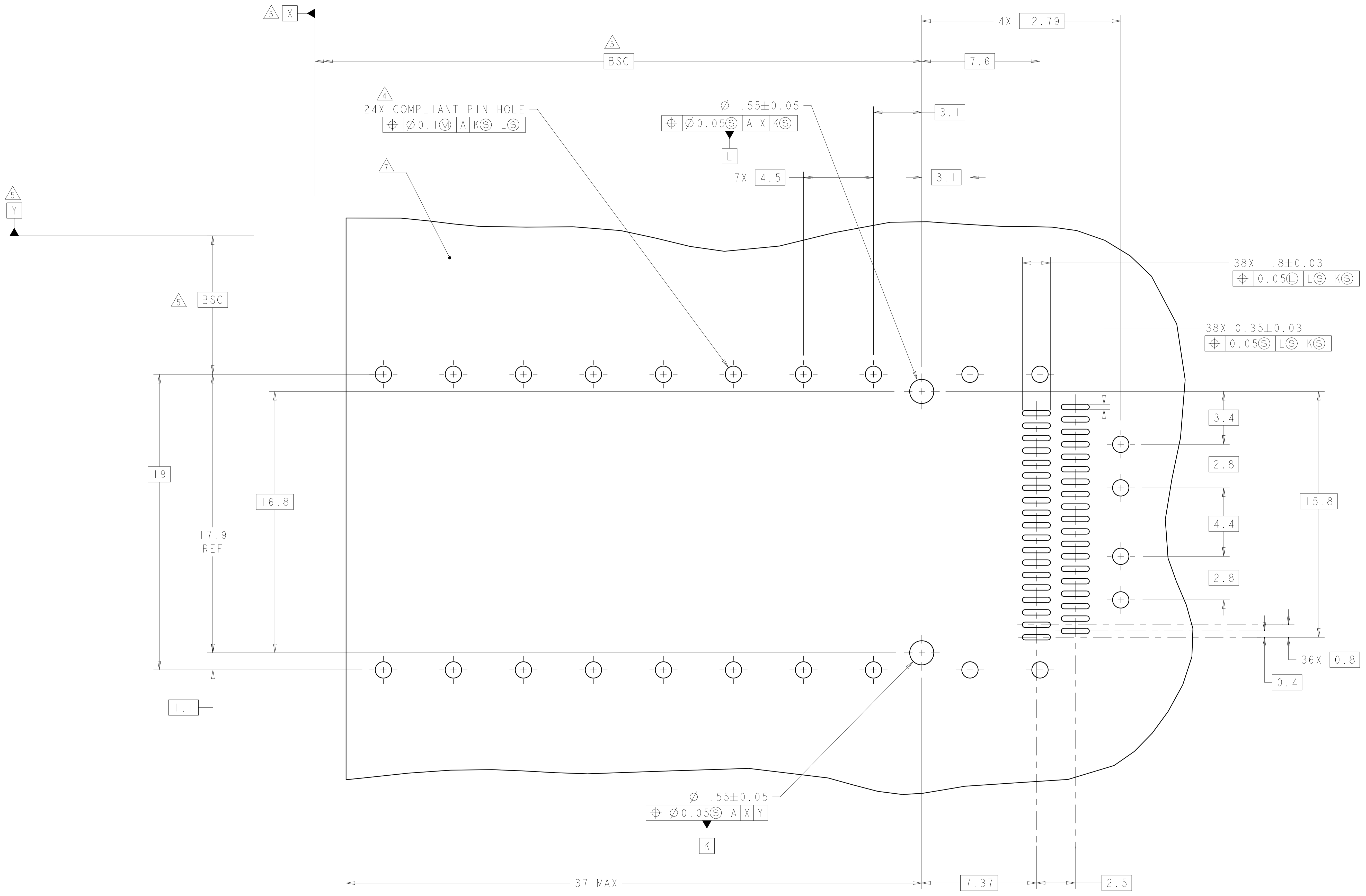
CROSSHATCHED AREA DENOTES COMPONENT AND TRACE KEEP-OUT (EXCEPT CHASSIS GROUND)

THIS AREA DENOTES COMPONENT KEEP-OUT (TRACES ALLOWED)

RECOMMENDED SINGLE-SIDE PC BOARD LAYOUT
 SCALE 8:1

THIS DRAWING IS A CONTROLLED DOCUMENT. DIMENSIONING AND TOLERANCING PER ASME Y14.5M-2009		OWN: E. ZIJLSTRA 08NOV2010 CHK: R. VERBEET 08NOV2010 APPV: T. D. ROER 08NOV2010	TE Connectivity NAME: CAGE ASSEMBLY, BEHIND BEZEL, ZQSF PRODUCT SPEC: - APPLICATION SPEC: - WEIGHT: - MATERIAL: - FINISH: -	
DIMENSIONS: mm	TOLERANCES UNLESS OTHERWISE SPECIFIED:	SIZE: A100779	DRAWING NO: C=1551891	RESTRICTED TO: -
0 PLC ±0.13	1 PLC ±0.13	SCALE: 5:1	SHEET 3 OF 4	REV A
2 PLC ±0.13	3 PLC ±0.13	CUSTOMER DRAWING		
4 PLC ±0.13	ANGLES ±0.13			

LOC	DIST	REVISIONS			
P	LTN	DESCRIPTION	DATE	DWN	APVD
-	-	SEE SHEET 1	-	-	-



24X COMPLIANT PIN HOLE
 $\oplus \varnothing 0.1 \text{ M A K S L S}$

$\varnothing 1.55 \pm 0.05$
 $\oplus \varnothing 0.05 \text{ S A X K S}$

$\varnothing 1.55 \pm 0.05$
 $\oplus \varnothing 0.05 \text{ S A X Y}$

RECOMMENDED PCB LAYOUT
 BELLY TO BELLY CONFIGURATION
 SEE SHEET 3 FOR KEEP OUT AREAS
 SCALE 8:1

THIS DRAWING IS A CONTROLLED DOCUMENT. DIMENSIONING AND TOLERANCING PER ASME Y14.5M-2009		DWN E. ZIJLSTRA 08NOV2010	CHK R. VERBEET 08NOV2010	APVD T. D. ROER 08NOV2010	NAME CAGE ASSEMBLY, BEHIND BEZEL, ZQSFP
DIMENSIONS:	mm	0 PLC ±0.13	1 PLC ±0.13	2 PLC ±0.13	3 PLC ±0.13
TOLERANCES UNLESS OTHERWISE SPECIFIED:		FINISH			
MATERIAL		CUSTOMER DRAWING			
SCALE 5:1		SHEET 4 OF 4		REV A	