

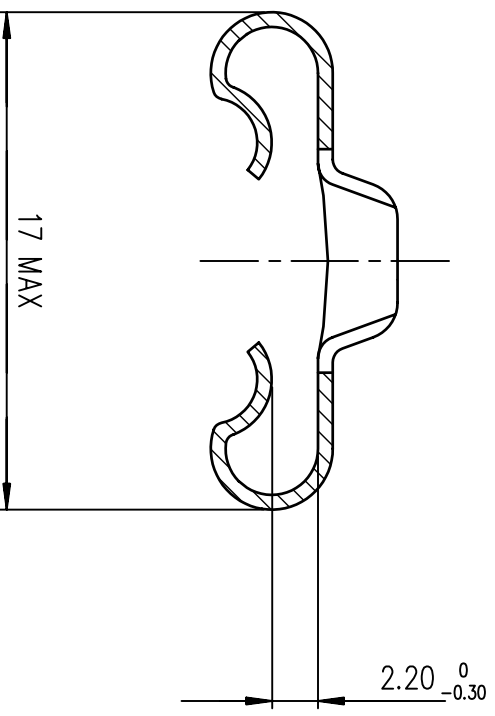
ASSEMBLY VIEW

NOTES

Pieces assembly
 Packaging : per 100 piece
 Material : steel
 Plating : tin plating
 Thread : UNC 4.40

NOTE: RoHS INFORMATION

- The "LF" product meets European union Directives and other country regulations as described in GS-22-008.
- The product is not intended to be exposed to a manufacturing solder process.
- Plating: Sn pure bright over Copper.
- Packaging spec: see GS-14-920.



LEAD-FREE PART-NUMBER

Part number **863002ATLF**

European Views

www.fciconnect.com

Dr	GOISNARD	2006/06/23	surface	ISO 1302	tolerance std	ISO 406 ISO 1101	projection	mm
Eng	PESSON	2006/06/23	ANGULAR	TOLERANCES UNLESS OTHERWISE SPECIFIED	0.X	0.XX	A3	Scale
Chr	ABHILASH	2011/01/25	LINEAR					
Appr	SUDHIR	2011/01/25	Product family	D-SUB Spec ref -				

rev	ecn no	dr	date
A	LS06-0101	LGO	2006/06/23
B	111-0022	AMR	2011/01/25
C	ELX-H-01663	PK	2012/05/09
D	ELX-H-01686	PK	2012/05/21

FCI MALE SCREW LOCKS
 FOR CONNECTOR 50 PTS

Rev. **D** C01-8655-1675
 CUSTOMER sheet 1 of 1

