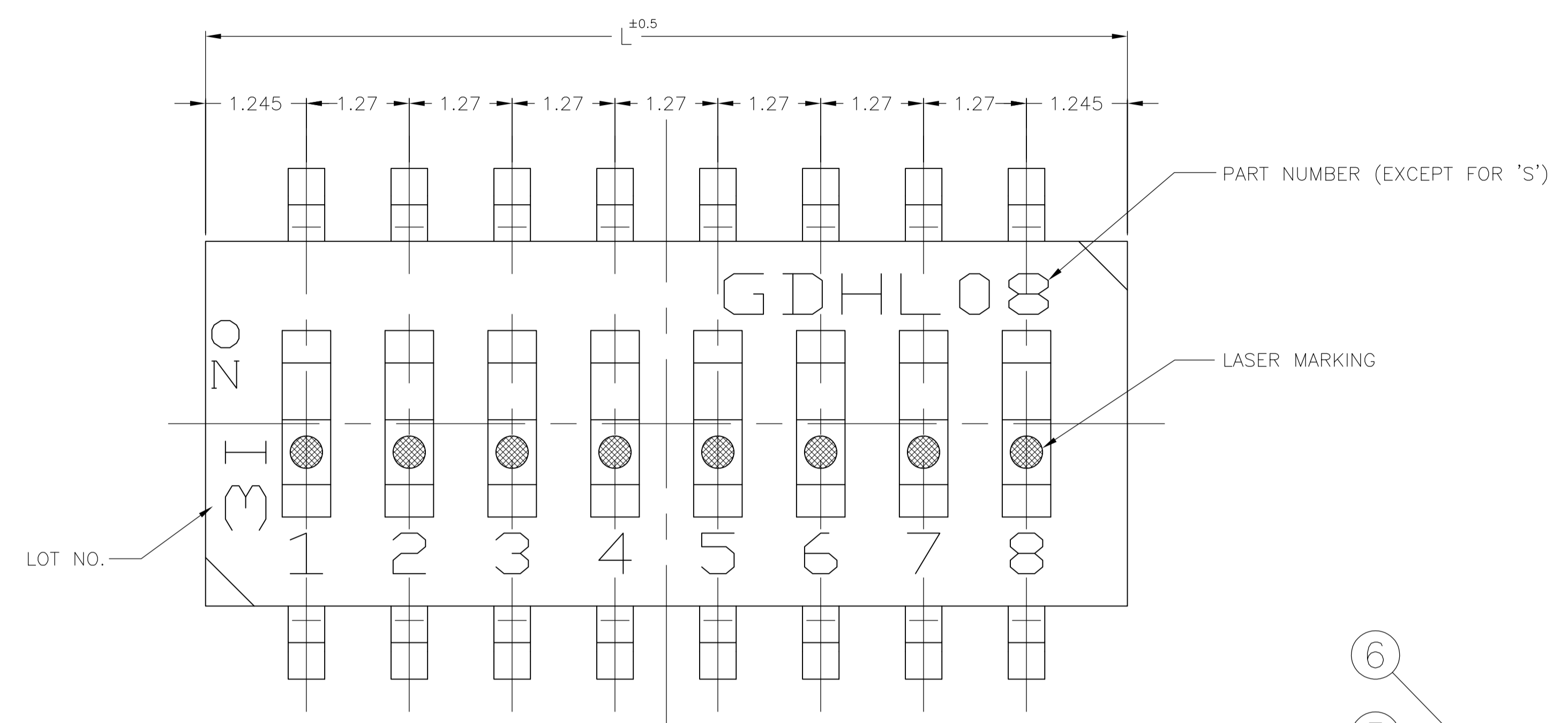
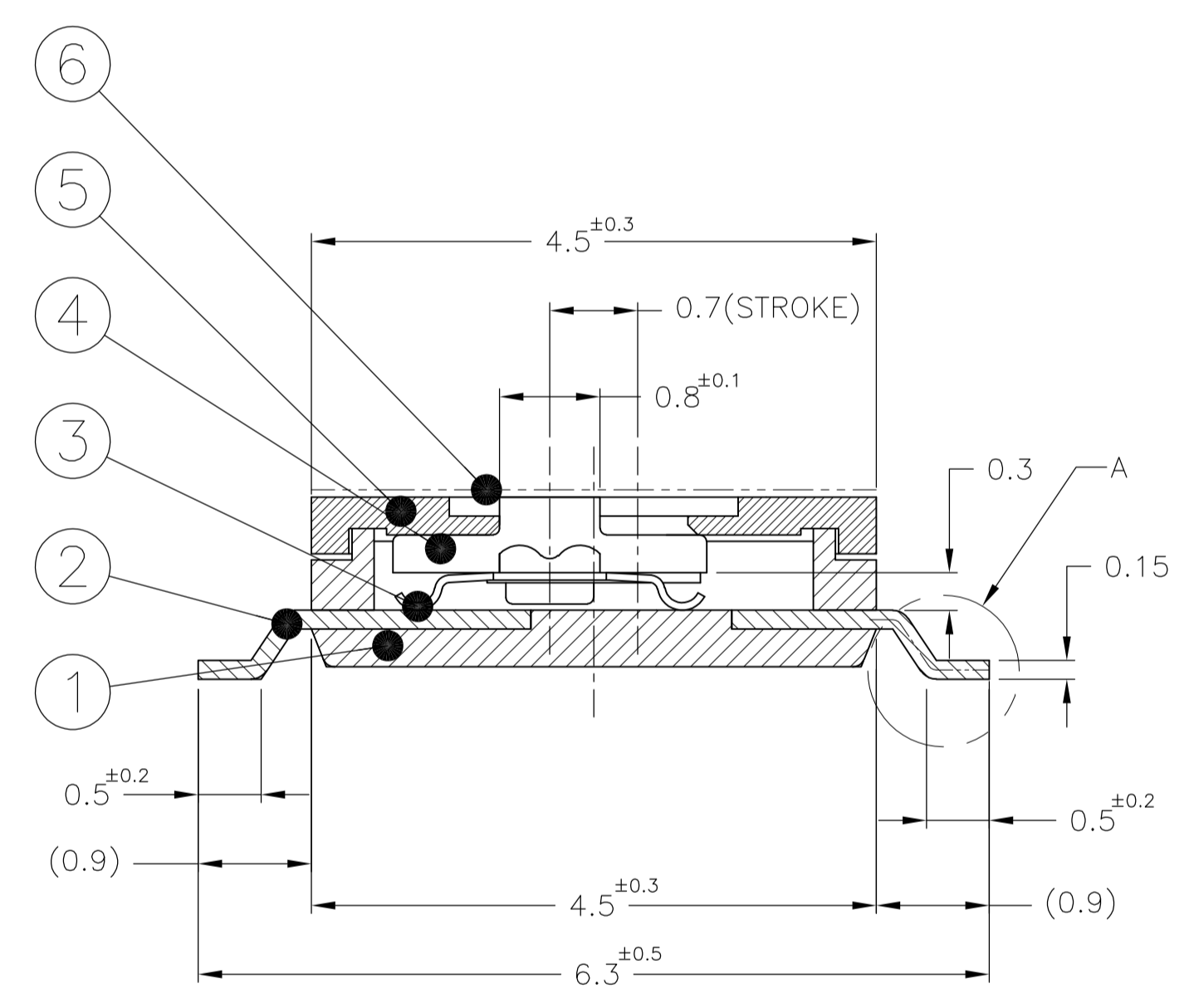
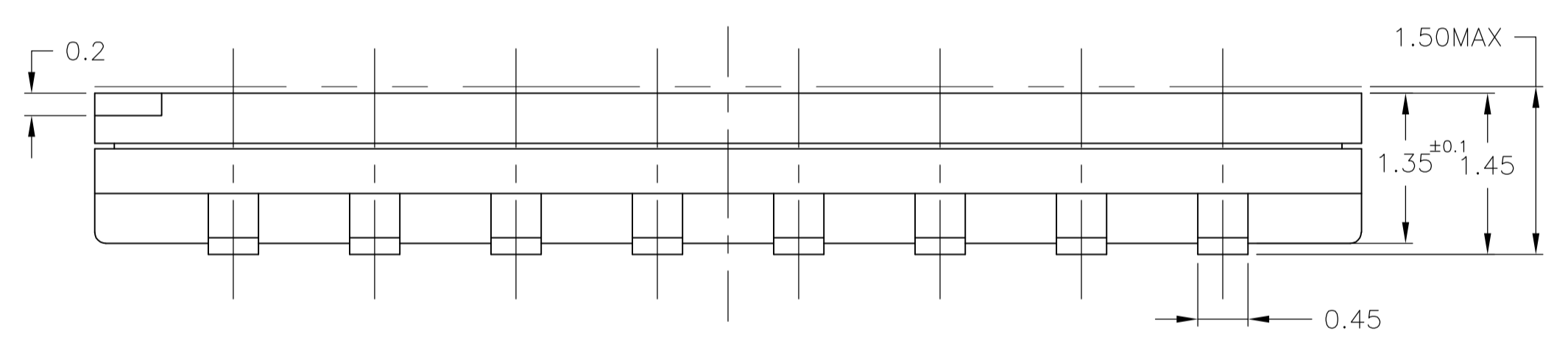


REVISONS		DATE	DN	APVD
P	LTR	DESCRIPTION		
B	REVISED PER	ECO-14-000320	09JAN2014	NK RH



LOT NO.  
3 1  
YEAR MONTH  
2013 9



**SPECIFICATIONS:**

**MATERIALS:**

CASE-PPS UL94V-0, BLACK  
COVER-PPS UL94V-0, BLACK  
ACTUATOR-LCP UL94V-0, WHITE  
FIXED CONTACT-COPPER ALLOY, GOLD OVER NICKEL PLATE  
MOVING CONTACT-COPPER ALLOY, GOLD OVER NICKEL PLATE  
TERMINAL-COPPER ALLOY, GOLD OVER NICKEL PLATE  
TAPE SEAL-POLYIMIDE FILM

**ELECTRICAL:**

CONTACT RATING: NON-SWITCHING: 100 MILLIAMPS @50 VDC  
SWITCHING: 25 MILLIAMPS @24 VDC  
INITIAL CONTACT RESISTANCE: 100 MILLIOHMS MAX. @2 VDC, 10 mA.  
INSULATION RESISTANCE: 100 MEGOHMS MIN AT 100 VDC  
DIELECTRIC STRENGTH: 300 VAC, 1 MINUTE.  
LIFE EXPECTANCY: 1,000 CYCLES MIN.

**MECHANICAL:**

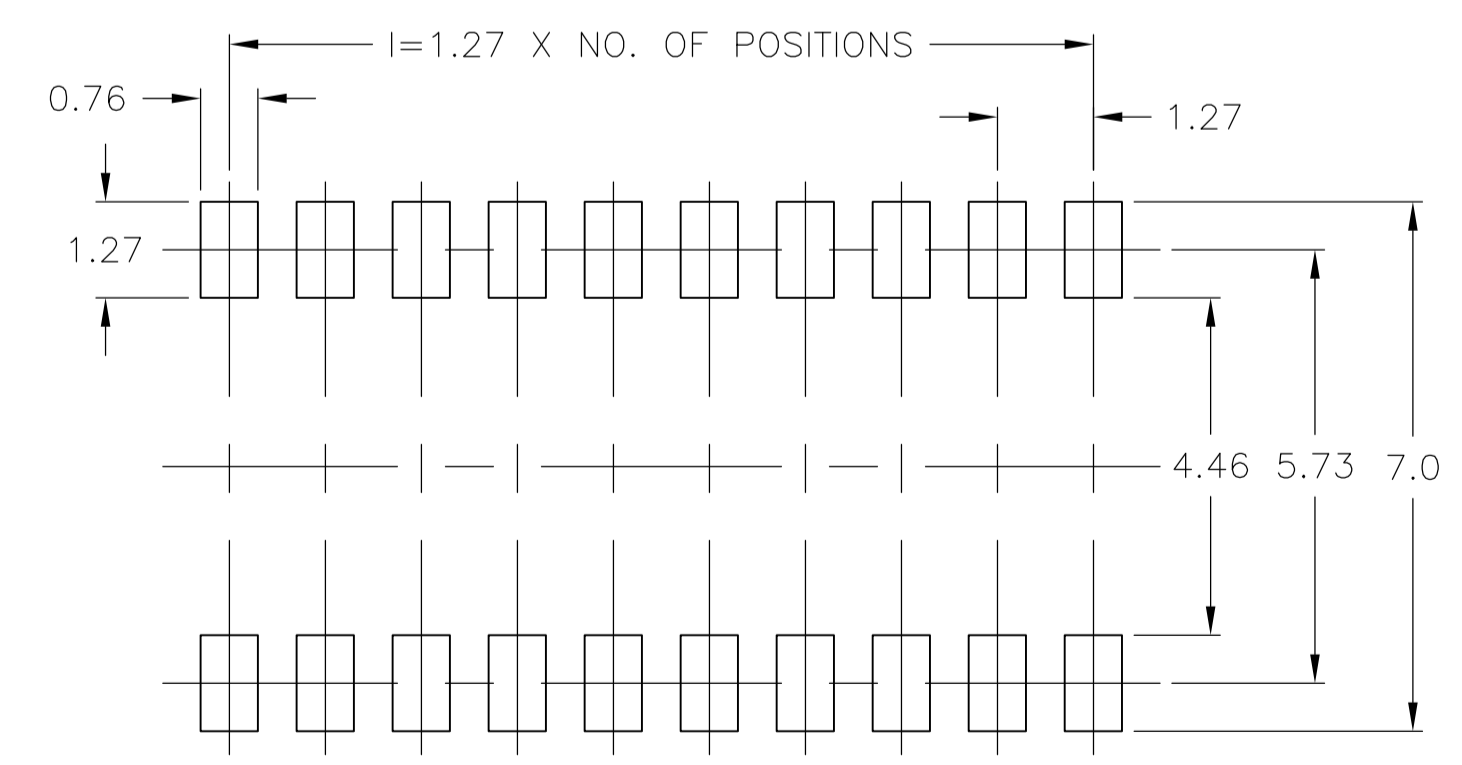
ACTUATION FORCE: 4.94 (490gf) MAX.

**ENVIRONMENTAL:**

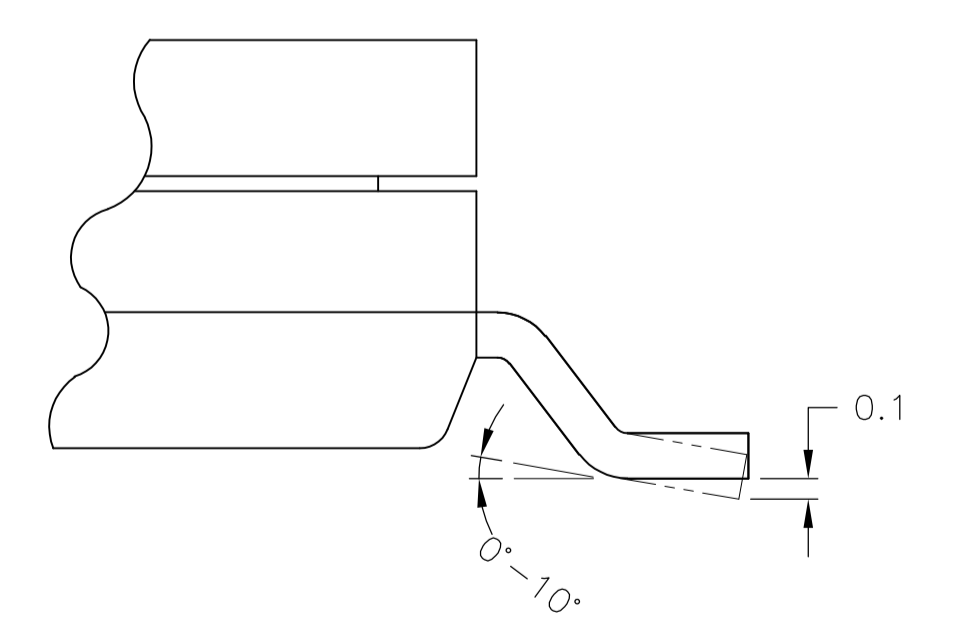
OPERATING TEMPERATURE: -30°C TO +85°C  
STORAGE TEMPERATURE: -45°C TO +100°C  
SOLDER HEAT RESISTANCE PER 109-201, CONDITION B SWITCH IN OFF POSITION  
SOLDERABILITY PER JIS C 0050 & JIS C 0053

**NOTES:**

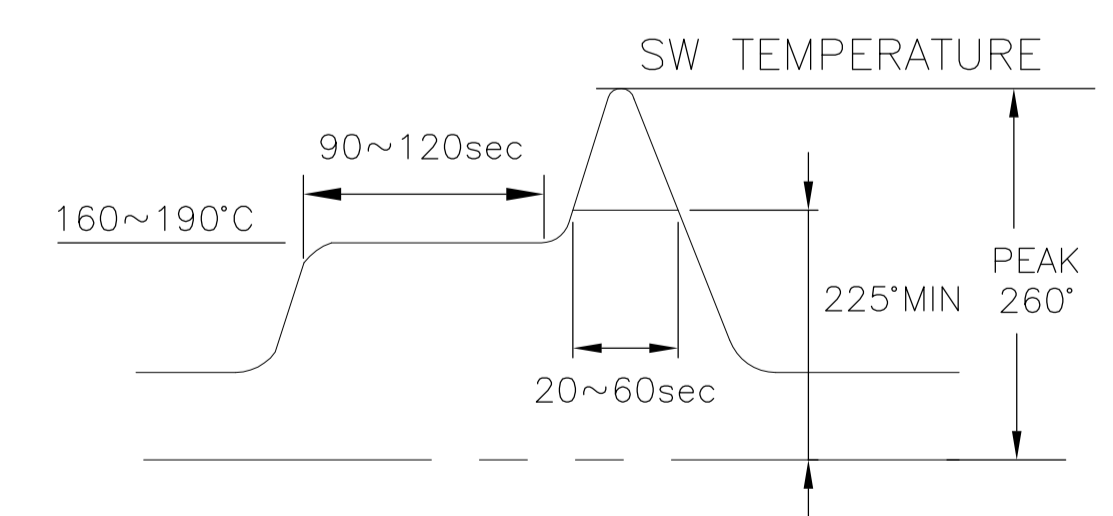
- SUPPLIED WITH TAPE SEAL STANDARD
- SWITCH IS TO HAVE OVERALL HEIGHT AS SHOWN
- ALL MATERIALS AND FINISHES SHALL COMPLY WITH EU DIRECTIVE 2002/95/EC OF 27JAN2003 (ROHS)
- TAPE AND REEL PACKAGING PER EIA-481



PCB LAYOUT



A: TERMINAL LAYOUT



SOLDERING TEMPERATURE PROFILE

OBSOLETE	T&R	13.92 (.548)	GDHL10STR	1-1977103-0
OBSOLETE	TUBE	13.92 (.548)	GDHL10S	1977103-9
	T&R	11.38 (.448)	GDHL08STR	1977103-8
	TUBE	11.38 (.448)	GDHL08S	1977103-7
OBSOLETE	T&R	8.84 (.348)	GDHL06STR	1977103-6
OBSOLETE	TUBE	8.84 (.348)	GDHL06S	1977103-5
	T&R	6.30 (.248)	GDHL04STR	1977103-4
	TUBE	6.30 (.248)	GDHL04S	1977103-3
OBSOLETE	T&R	3.76 (.148)	GDHL02STR	1977103-2
OBSOLETE	TUBE	3.76 (.148)	GDHL02S	1977103-1
	PACKAGING	DIM L	T&B P/N	PART NUMBER

THIS DRAWING IS A CONTROLLED DOCUMENT. DIMENSIONS: mm. TOLERANCES UNLESS OTHERWISE SPECIFIED: 0 PLC ± -, 1 PLC ± -, 2 PLC ± 0.20, 3 PLC ± -, 4 PLC ± -. MATERIAL: -. FINISH: -. THIS DRAWING IS A CONTROLLED DOCUMENT. DIM: M. BINNER 17APR07. CHK: M.S. SARVER. NAME: M.S. SARVER. PRODUCT SPEC: -. APPLICATION SPEC: -. SIZE: A1. CAGE CODE: 00779. DRAWING NO: 1977103. WEIGHT: -. RESTRICTED TO: -. CUSTOMER DRAWING. SCALE: 10:1. SHEET: 1 of 1. REV: B.