

# SPECIFICATIONS

(RoHS Compliant)



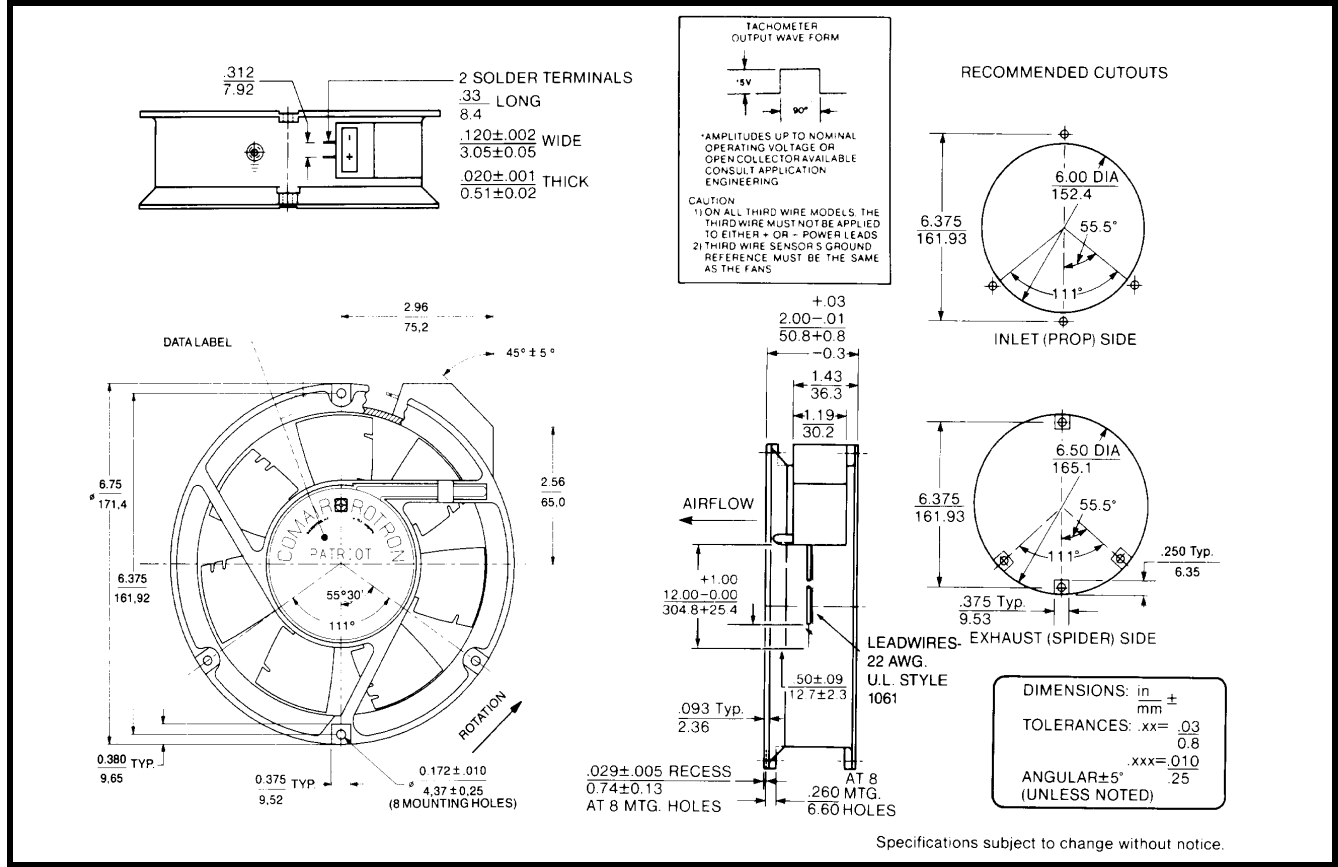
Model Number: PQ24B3E2X-E3

Rev:00

Part Number: 17001191A

Jun 12, 2018

## Mechanical Drawing:



**Motor:**

- Nominal Voltage = 24 vdc
- Operating Voltage Range = 16 – 32 vdc
- Nominal Running Current = 1.0 amps
- Locked Rotor Current = 2.00 amps
- Running Power = 24 watts
- Average Speed = 3400 RPM
- Bearings = Ball
- Air Flow = 235 CFM
- Acoustic = 54.3 dBA

**Construction:**  
 Venturi: Single piece, die-cast aluminum, Black  
 Propeller: Plastic, Black, UL 94V-0

**Life Expectancy:**  
 This fan is designed for continuous duty life of 58,000 hours at 70°C.

**Termination:**  
 12"±1"(304.8±25.4mm) 22AWG UL1061 Leadwires

- Red = Power(+)
- Black = Return(-)
- Blue/White = Tach output
- Yellow = PWM control

**Additional Features:**

- Brushless DC Motor
- Polarity Protected
- Locked Rotor Protection
- Automatic Restart Capability
- Operating Temperature: -10°C to 70°C
- Storage Temperature: -40°C to 85°C
- Environmental Protection: Type 3(IP68)

**TACHOMETER:**

- Output: Open Collector
- Ic: 20 mA max.
- Vcc: 32 Vdc max.
- Pulses per Revolution: 2
- Isolated: No

**Speed Control:**

- PWM: 200 ~ 2 KHz, Open Collector
- <10% Duty: Off
- 10%~95% Duty: Linear Ramp
- >95% Duty or Open Lead Wire: Full Speed

**Agency Approvals:**  
 UL, CUL, CE

**PQ Curve:**

