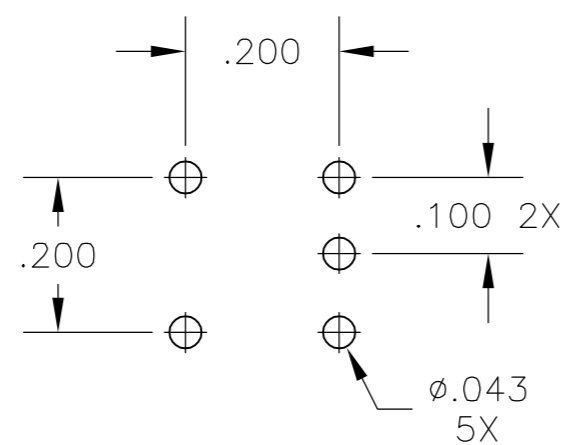
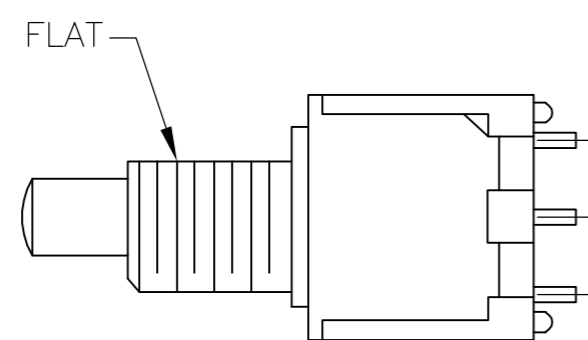
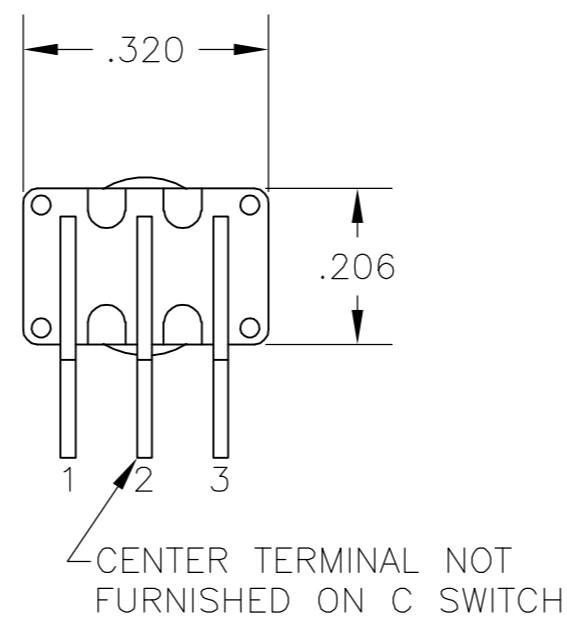
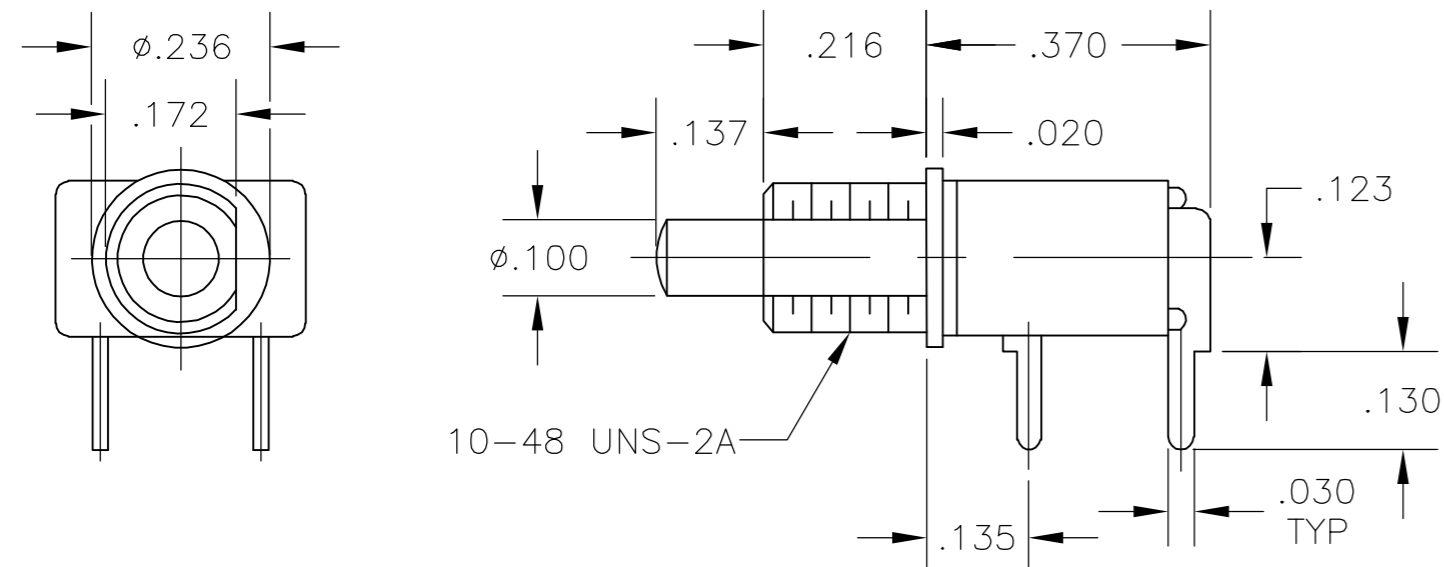


THIS DRAWING IS UNPUBLISHED. RELEASED FOR PUBLICATION
 © COPYRIGHT BY TYCO ELECTRONICS CORPORATION. ALL RIGHTS RESERVED.

LOC		DIST		REVISIONS			
P	LTR	DESCRIPTION	DATE	DWN	APVD		
	B	ECO 06 000585	07AUG06	BSV	MZ		



RECOMMENDED HOLE LAYOUT
 TOLERANCE ±.002 UNLESS
 OTHERWISE NOTED

(*)	BUTTON COLOR
0	BLACK
2	RED
6	BLUE

SPECIFICATIONS:

MATERIALS:

CASE: HIGH TEMPERATURE POLYESTER, UL 94V-0
 ACTUATOR BUTTON: THERMOPLASTIC, COLORS: SEE CHART BELOW
 MOVING CONTACT: COPPER ALLOY, GOLD PLATED
 FIXED CONTACT: COPPER ALLOY, GOLD PLATED
 TERMINALS: COPPER ALLOY, TIN LEAD PLATED
 TERMINAL SEAL: SP EPOXY
 DP EPOXY OPTIONAL

ELECTRICAL:

CONTACT RATING: GOLD=0.4VA MAX. @20VDC OR PEAK AC
 INITIAL CONTACT RESISTANCE: 20 MILLIOHMS MAX.
 INSULATION RESISTANCE: 1,000 MEGOHMS @500VDC MIN
 DIELECTRIC STRENGTH: 1,000VAC @SEA LEVEL
 LIFE EXPECTANCY: GOLD: 1 POLE = 100,000 CYCLES
 2 POLES = 80,000 CYCLES

MECHANICAL:

ACTUATION FORCE: 50 TO 400g
 ACTUATION TRAVEL: .030 APPROX.

ENVIRONMENTAL:

OPERATING TEMPERATURE: -22°F TO +149°F (-30°C TO +65°C)
 STORAGE TEMPERATURE: -22°F TO +149°F (-30°C TO +65°C)

NOTES:

- INTERPRET DRAWING PER ASME Y14.5M-1994
- SUPPLIED WITH MOUNTING HARDWARE.
- SPECIFICATIONS ARE SUBJECT TO CHANGES WITHOUT NOTICE.

TERMINALS CONNECTED WITH BUTTON IN POSITIONS SHOWN		
MODEL NO.	FLAT	FLAT
TPC11CG-RA (*)	OFF	1-3 (MOM)
TPC11FG-RA (*)	2-1	2-3 (MOM)

NOTE:
 TERMINAL DESIGNATION NUMBERS ARE FOR
 REFERENCE ONLY AND DO NOT APPEAR ON
 SWITCHES.

AUGAT D/N 40046

THIS DRAWING IS A CONTROLLED DOCUMENT.		DWN R.WINGROVE 10NOV80	Tyco Electronics Corporation Harrisburg, Pa 17105-3608	
DIMENSIONS: INCHES	TOLERANCES UNLESS OTHERWISE SPECIFIED:	CHK B.BUCKHEIT 11NOV80	APVD RD 11NOV80	NAME PUSH BUTTON SWITCH TPC11*G-RA(*)
	0 PLC ± -	PRODUCT SPEC	SIZE	RESTRICTED TO
	1 PLC ± -	APPLICATION SPEC	CAGE CODE	
MATERIAL SEE SPECIFICATIONS	FINISH SEE SPECIFICATIONS	WEIGHT	DRAWING NO	
			A2 00779	
		CUSTOMER DRAWING	SCALE 4:1	SHEET 1 OF 1

1437572-7