

PCIe EXPANSION CARD APPLICATION SHOWN USING 1 DEGREE GUIDE HOUSING ASSEMBLY

- NOTES:
- REF. PCI EXPRESS CARD ELECTROMECHANICAL SPECIFICATION, REV 1.0a FOR IO BRACKET WINDOW LOCATION.
 - PCB AND IO BRACKET SHOWN FOR REFERENCE ONLY.
 - REFER TO SHEET 2 FOR ATCA GUIDE HOUSING ASSY. SEE SHEET 3 FOR SCREEN LENGTH + TORQUE SPEC.
 - GUIDE HOUSING MOUNTING THREAD= M2 X 0.4
 - PCB NOTCH IS SHOWN FOR PCI COMPLIANT BOARD.
 - THIS PRODUCT MEETS THE RESTRICTIONS OF HAZARDOUS SUBSTANCES IN ELECTRICAL AND ELECTRONIC EQUIPMENT (RoHS) DIRECTIVE (2002/95/EC)
 - PLATE GROUND PAD WITH EMERSON SILVER OR GOLD.
 - MATES WITH MOLEX 8X CABLE SERIES 74546-080X.
 - GUIDE HOUSING PEGS FOR ALIGNMENT ONLY. 'DO NOT SOLDER'

iPass™ is a trademark of Molex

I-PASS X8 EMI GUIDE HOUSING ASSEMBLY

MOLEX INCORPORATED

DOCUMENT NO. SD-74540-100

SHEET NO. 1 OF 3

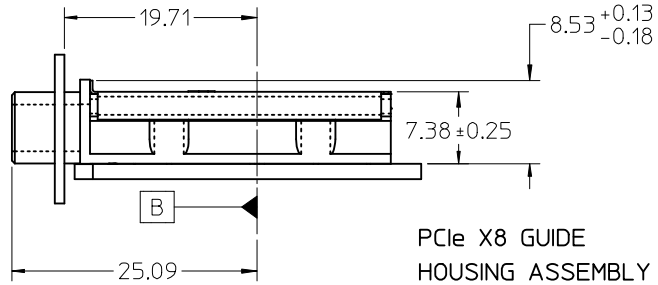
ADD P/N TO TABLE	EC NO: CPG2012-2100
	DRWN:TPRATT 2012/06/28
	CHKD:AJOHNSTON 2012/06/28
	APPR:KLLLOYD 2012/07/06
REV	DESCRIPTION

QUALITY SYMBOLS	▽=0
	▽=0

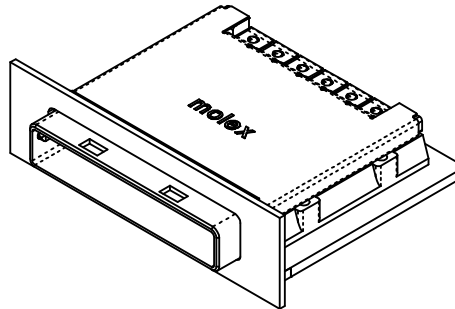
GENERAL TOLERANCES (UNLESS SPECIFIED)	mm	INCH
	4 PLACES ± ---	± ---
	3 PLACES ± ---	± ---
	2 PLACES ± 0.05	± ---
	1 PLACE ± 0.10	± ---
	ANGULAR ± 1/2°	
DRAFT WHERE APPLICABLE MUST REMAIN WITHIN DIMENSIONS		

DIMENSION STYLE	
MM ONLY	
DRAWN BY	DATE
BREED	2004/11/11
CHECKED BY	DATE
DDOYE	2004/11/11
APPROVED BY	DATE
DDOYE	2004/11/11
MATERIAL NO.	SEE TABLE
SIZE	B

SCALE	2:1
DESIGN UNITS	METRIC
THIRD ANGLE PROJECTION	
MOLEX INCORPORATED	
DOCUMENT NO.	SD-74540-100
SHEET NO.	1 OF 3

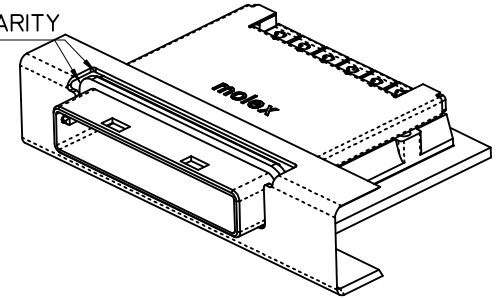


PCIe X8 GUIDE HOUSING ASSEMBLY

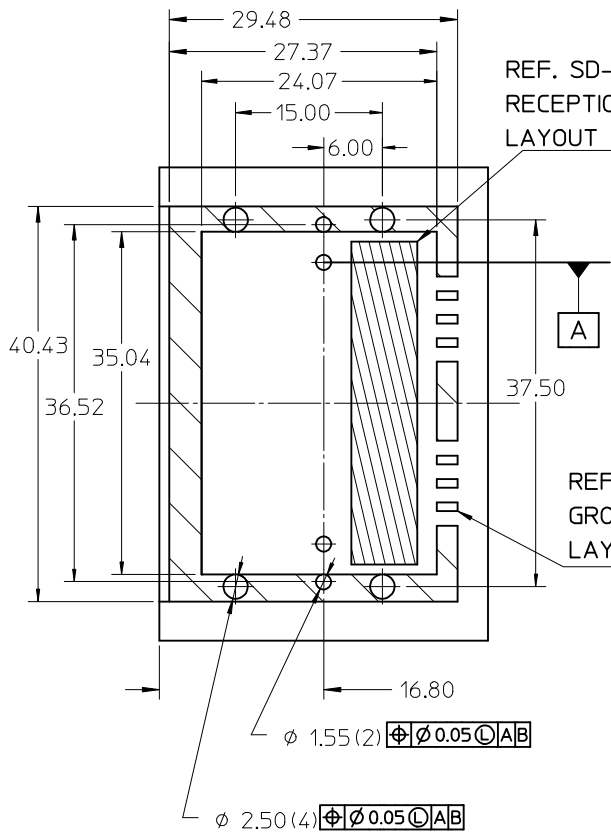


STANDARD APPLICATION SHOWN USING 0 DEG GUIDE HOUSING ASSEMBLY

GASKETS NOT SHOWN FOR CLARITY

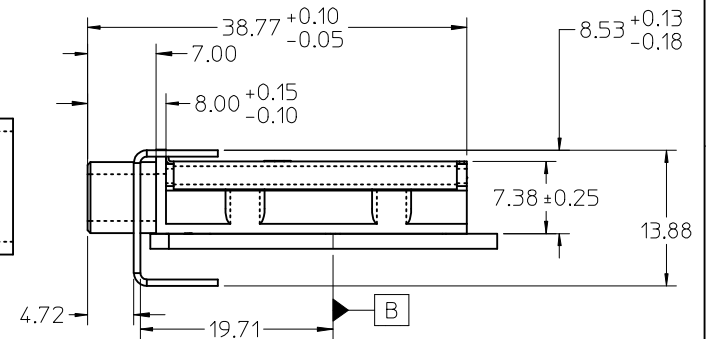
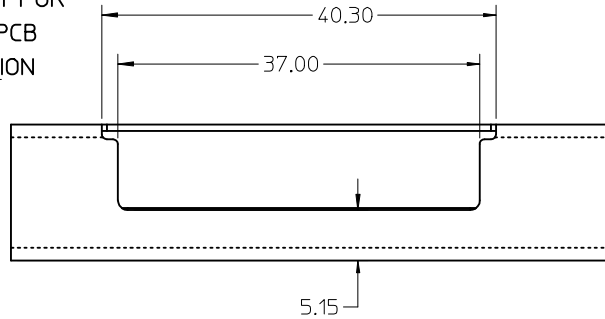


ADVANCED TCA APPLICATION USING 0 DEG GUIDE HOUSING ASSEMBLY



REF. SD-75586-001 FOR RECEPTAL AND PCB LAYOUT INFORMATION

REF. SHEET 3 FOR GROUND PAD ALLEY LAYOUT INFORMATION

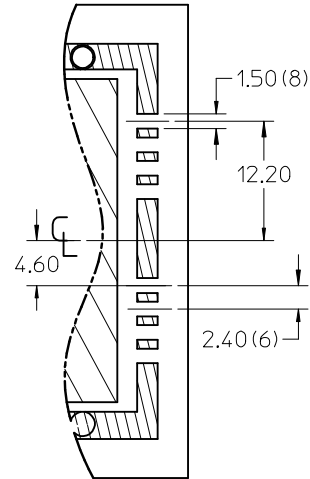


iPass™ is a trademark of Molex

ADD P/N TO TABLE EC NO: CPG2012-2100 DRAWN: TPRAATT 2012/06/28 CHKD: AJOHNSTON 2012/06/28 APPR: KLLLOYD 2012/07/06	QUALITY SYMBOLS ▽=0 ▽=0	GENERAL TOLERANCES (UNLESS SPECIFIED) <table border="1"> <thead> <tr> <th></th> <th>mm</th> <th>INCH</th> </tr> </thead> <tbody> <tr> <td>4 PLACES</td> <td>± ---</td> <td>± ---</td> </tr> <tr> <td>3 PLACES</td> <td>± ---</td> <td>± ---</td> </tr> <tr> <td>2 PLACES</td> <td>± 0.05</td> <td>± ---</td> </tr> <tr> <td>1 PLACE</td> <td>± 0.10</td> <td>± ---</td> </tr> <tr> <td colspan="3">ANGULAR ± 1/2°</td> </tr> </tbody> </table>		mm	INCH	4 PLACES	± ---	± ---	3 PLACES	± ---	± ---	2 PLACES	± 0.05	± ---	1 PLACE	± 0.10	± ---	ANGULAR ± 1/2°			DIMENSION STYLE MM ONLY	SCALE 1:1	DESIGN UNITS METRIC	THIRD ANGLE PROJECTION
		mm	INCH																					
	4 PLACES	± ---	± ---																					
	3 PLACES	± ---	± ---																					
	2 PLACES	± 0.05	± ---																					
1 PLACE	± 0.10	± ---																						
ANGULAR ± 1/2°																								
DRAWN BY BREED	DATE 2004/11/11	TITLE I-PASS X8 EMI GUIDE HOUSING ASSEMBLY																						
CHECKED BY DDOYE	DATE 2004/11/11	MOLEX INCORPORATED																						
APPROVED BY DDOYE	DATE 2004/11/11	MATERIAL NO. SEE TABLE	DOCUMENT NO. SD-74540-100	SHEET NO. 2 OF 3																				
DRAFT WHERE APPLICABLE MUST REMAIN WITHIN DIMENSIONS																								

MOLEX P/N	DESCRIPTION	GEN
745400100	8x EMI Guide Housing Assembly - PCIe / 1 Deg	Gen 1
745400200	8x EMI Guide Housing Assembly - ATCA / 0 Deg	Gen 1
745400205	8x EMI Guide Housing Assembly - W/O Gasket - ATCA / 0 Deg	Gen 1

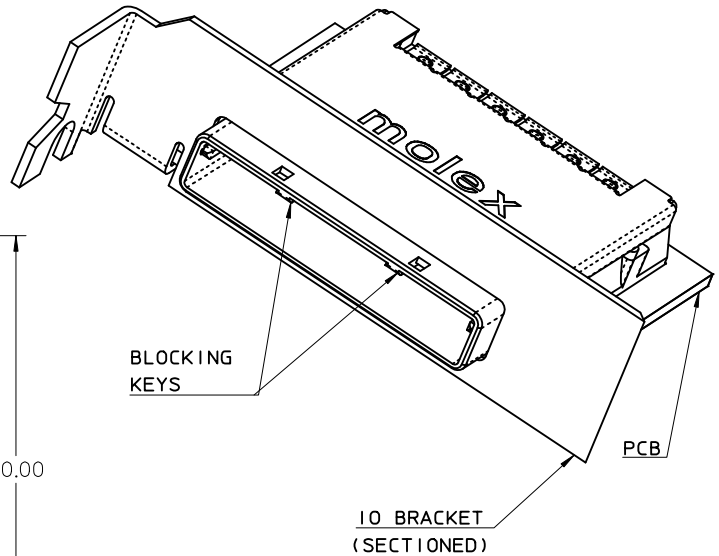
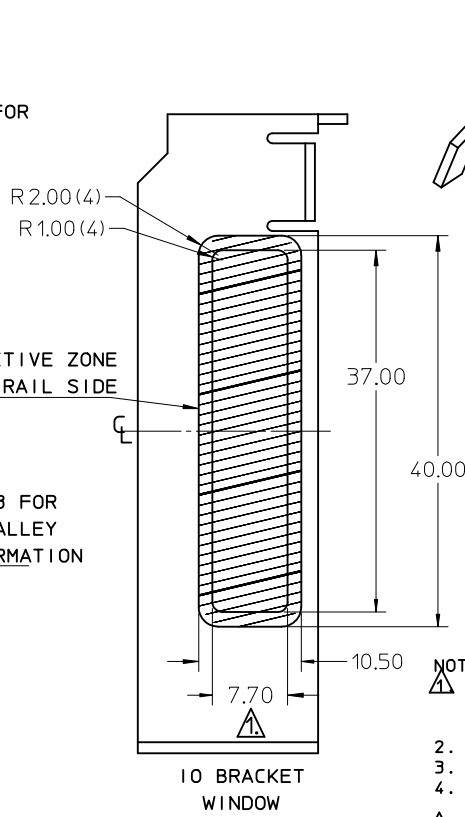
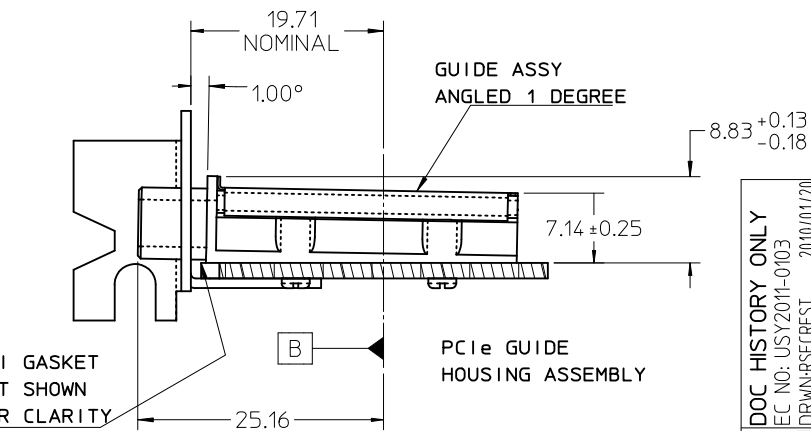
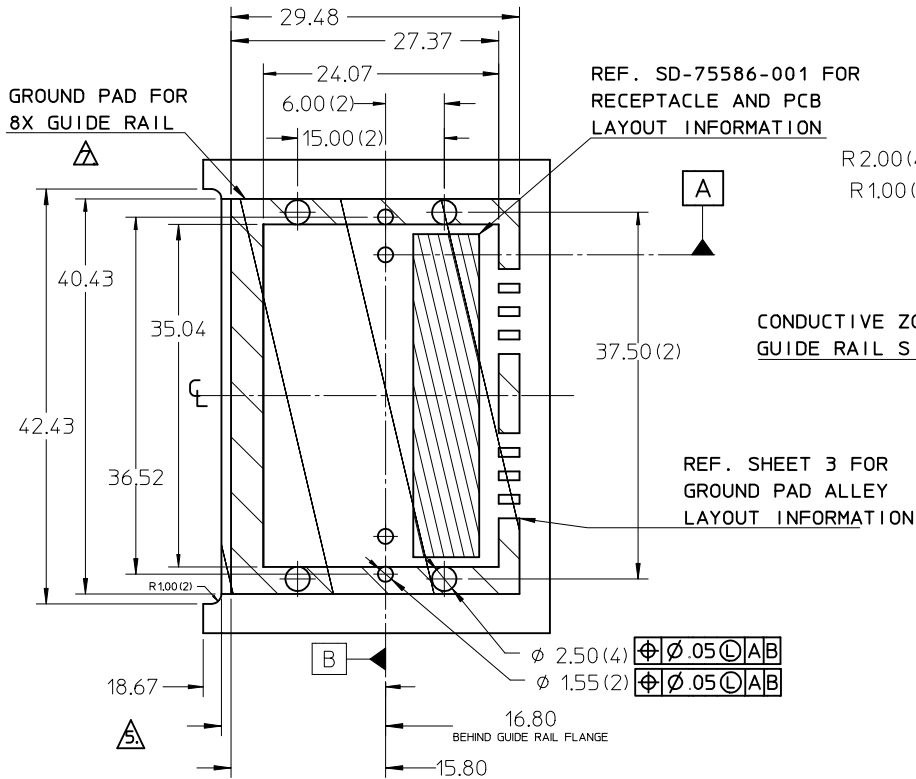
PCB THICKNESS	SCREW LENGTH	TORQUE (IN LBS)
1.6 (.063")	5MM	2.3
2.38 (.093")	6MM	2.3
3.2 (.125")	6MM	2.3
	+4MM MAX	2.3



PARTIAL1
SCALE 2:1
GROUND PAD ALLEY
LAYOUT INFORMATION



ADD P/N TO TABLE EC NO: CPG2012-2100 DRAWN: TPRAATT 2012/06/28 CHKD: A JOHNSTON 2012/06/28 APPR: K LLOYD 2012/07/06	QUALITY SYMBOLS ▽=0 ▽=0	GENERAL TOLERANCES (UNLESS SPECIFIED)		DIMENSION STYLE MM ONLY		SCALE 1:1	DESIGN UNITS METRIC	THIRD ANGLE PROJECTION		
			mm	INCH	DRAWN BY BREED	DATE 2004/11/11	TITLE I-PASS X8 EMI GUIDE HOUSING ASSEMBLY			
		4 PLACES	± ---	± ---	CHECKED BY DDOYE	DATE 2004/11/11				
		3 PLACES	± ---	± ---	APPROVED BY DDOYE		DATE 2004/11/11	MATERIAL NO.		DOCUMENT NO.
2 PLACES	± 0.05	± ---	ANGULAR ± 1/2°		SEE TABLE		SD-74540-100		SHEET NO. 3 OF 3	
1 PLACE	± 0.10	± ---	DRAFT WHERE APPLICABLE MUST REMAIN WITHIN DIMENSIONS		THIS DRAWING CONTAINS INFORMATION THAT IS PROPRIETARY TO MOLEX INCORPORATED AND SHOULD NOT BE USED WITHOUT WRITTEN PERMISSION					

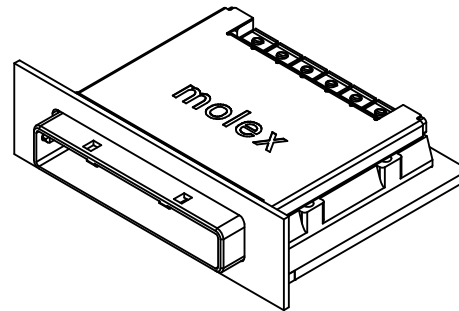
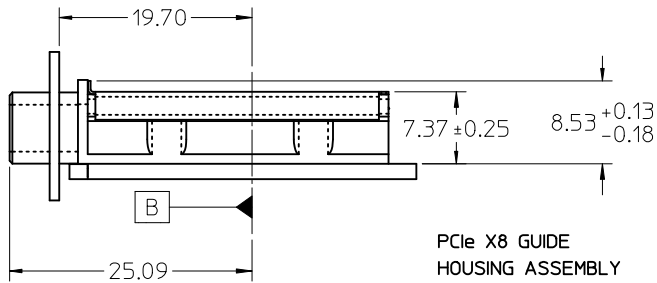


- NOTES:**
- REF. PCI EXPRESS CARD ELECTROMECHANICAL SPECIFICATION, REV 1.0a FOR IO BRACKET WINDOW LOCATION.
 - PCB AND IO BRACKET SHOWN FOR REFERENCE ONLY.
 - REFER TO SHEET 2 FOR ATCA GUIDE HOUSING ASSY.
 - GUIDE HOUSING MOUNTING THREAD= M2 X 0.4. SEE SHEET 3 FOR SCREW LENGTH + TORQUE SPEC.
 - PCB NOTCH IS SHOWN FOR PCI COMPLIANT BOARD.
 - THIS PRODUCT MEETS THE RESTRICTION OF HAZARDOUS SUBSTANCES IN ELECTRICAL AND ELECTRONIC EQUIPMENT (RoHS) DIRECTIVE (2002/95/EC).
 - PLATE GROUND PAD WITH EMERSON SILVER OR GOLD.
 - MATES WITH MOLEX 8X CABLE SERIES 74546-080X.
 - GUIDE HOUSING PEGS FOR ALIGNMENT ONLY, DO NOT SOLDER.

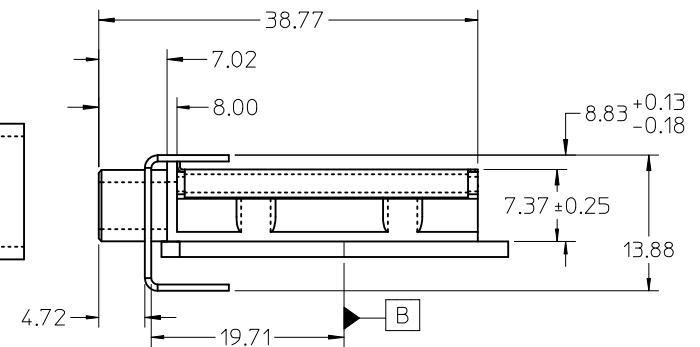
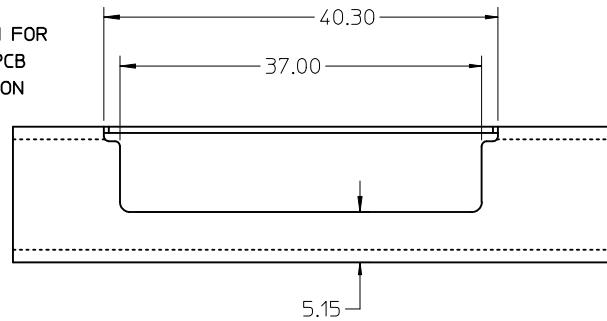
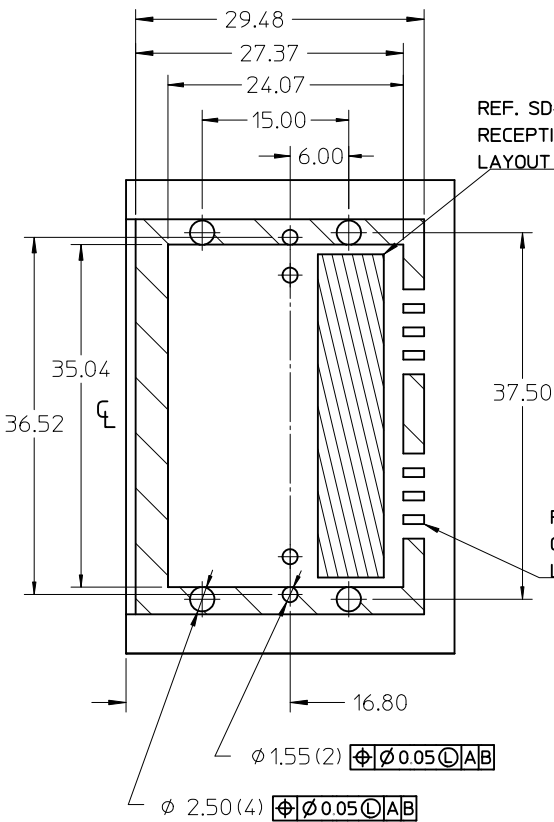
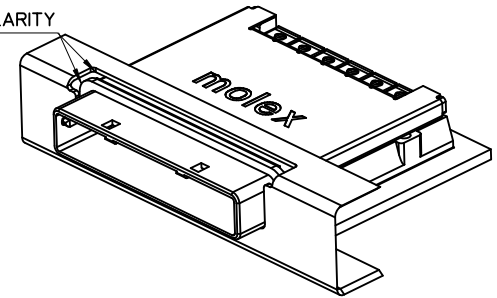
PCIe EXPANSION CARD APPLICATION SHOWN USING 1 DEGREE GUIDE HOUSING ASSEMBLY

iPass™ is a trademark of Molex

DOC HISTORY ONLY EC NO: USY2011-0103 TDR:WNRSECRET 2010/01/20 CHKD:SYTSMIA APPR:DDOYE 2010/08/27	QUALITY SYMBOLS ▽=0 ▽=0	GENERAL TOLERANCES (UNLESS SPECIFIED)		DIMENSION STYLE MM ONLY		SCALE 2:1	DESIGN UNITS METRIC	THIRD ANGLE PROJECTION			
		4 PLACES ± --- ± ---	3 PLACES ± --- ± ---	2 PLACES ± 0.05 ± ---	1 PLACE ± 0.10 ± ---	DRAWN BY JERWIN	DATE 2006/05/25	TITLE I-PASS X8 EMI GUIDE HOUSING ASSEMBLY W/ KEYS			
		ANGULAR ±1/2°				CHECKED BY BREED	DATE 2006/05/25	MOLEX INCORPORATED			
		DRAFT WHERE APPLICABLE MUST REMAIN WITHIN DIMENSIONS				APPROVED BY DDOYE	DATE 2006/05/25	MATERIAL NO. SEE TABLE	DOCUMENT NO. SD-74540-101	SHEET NO. 1 OF 3	



GASKETS NOT SHOWN FOR CLARITY



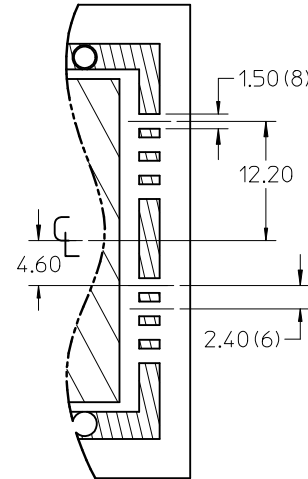
ADVANCED TCA APPLICATION USING 0 DEG GUIDE HOUSING ASSEMBLY

iPass™ is a trademark of Molex

DOC HISTORY ONLY EC NO: USY2011-0103 TDR:WNRSECRET 2010/01/20 CHKD:PSYISMA 2010/01/20 APPR:DDOYE 2010/08/27	QUALITY SYMBOLS ▽=0 ▽=0	GENERAL TOLERANCES (UNLESS SPECIFIED)		DIMENSION STYLE MM ONLY		SCALE 1:1	DESIGN UNITS METRIC	THIRD ANGLE PROJECTION			
		4 PLACES ± --- ± ---	mm INCH	DRAWN BY JERWIN	DATE 2006/05/25	TITLE I-PASS X8 EMI GUIDE HOUSING ASSEMBLY W/ KEYS					
		3 PLACES ± --- ± ---		CHECKED BY BREED	DATE 2006/05/25	MOLEX INCORPORATED					
		2 PLACES ± 0.05 ± ---		APPROVED BY DDOYE	DATE 2006/05/25	DOCUMENT NO. SD-74540-101					
1 PLACE ± 0.10 ± ---		ANGULAR ± 1/2°		MATERIAL NO.		SHEET NO. 2 OF 3		THIS DRAWING CONTAINS INFORMATION THAT IS PROPRIETARY TO MOLEX INCORPORATED AND SHOULD NOT BE USED WITHOUT WRITTEN PERMISSION			
DRAFT WHERE APPLICABLE MUST REMAIN WITHIN DIMENSIONS				SEE TABLE							

MOLEX P/N	DESCRIPTION	GEN
745400101	8x EMI Guide Housing Assembly - PCIe / 1 Deg	Gen 1
745400201	8x EMI Guide Housing Assembly - ATCA / 0 Deg	Gen 1

PCB THICKNESS	SCREW LENGTH	TORQUE (IN LBS)
1.6 (.063")	5MM	2.3
2.38 (.093")	6MM	2.3
3.2 (.125")	6MM	2.3
X	+4MM MAX	2.3



PARTIAL1
SCALE 2:1
GROUND PAD ALLEY
LAYOUT INFORMATION



DOC HISTORY ONLY EC NO: USY2011-0103 TDR: MNRSECREST 2010/01/20 CHKD: PYSYISMA 2010/01/20 APPR: DDOYE 2010/08/27	QUALITY SYMBOLS	GENERAL TOLERANCES (UNLESS SPECIFIED)	DIMENSION STYLE	SCALE	DESIGN UNITS	THIRD ANGLE PROJECTION
	▼=0 ▽=0	mm INCH 4 PLACES ± --- ± --- 3 PLACES ± --- ± --- 2 PLACES ± 0.05 ± --- 1 PLACE ± 0.10 ± --- ANGULAR ± 1/2°	MM ONLY	1:1	METRIC	
	REV	DESCRIPTION	DRAWN BY	DATE	TITLE	
			JERWIN	2006/05/25	I-PASS X8 EMI GUIDE HOUSING ASSEMBLY W/ KEYS	
			CHECKED BY	DATE	MOLEX INCORPORATED	
			BREED	2006/05/25	MATERIAL NO.	
			APPROVED BY	DATE	DOCUMENT NO.	SHEET NO.
			DDOYE	2006/05/25	SD-74540-101	3 OF 3
DRAFT WHERE APPLICABLE MUST REMAIN WITHIN DIMENSIONS			SEE TABLE	THIS DRAWING CONTAINS INFORMATION THAT IS PROPRIETARY TO MOLEX INCORPORATED AND SHOULD NOT BE USED WITHOUT WRITTEN PERMISSION		