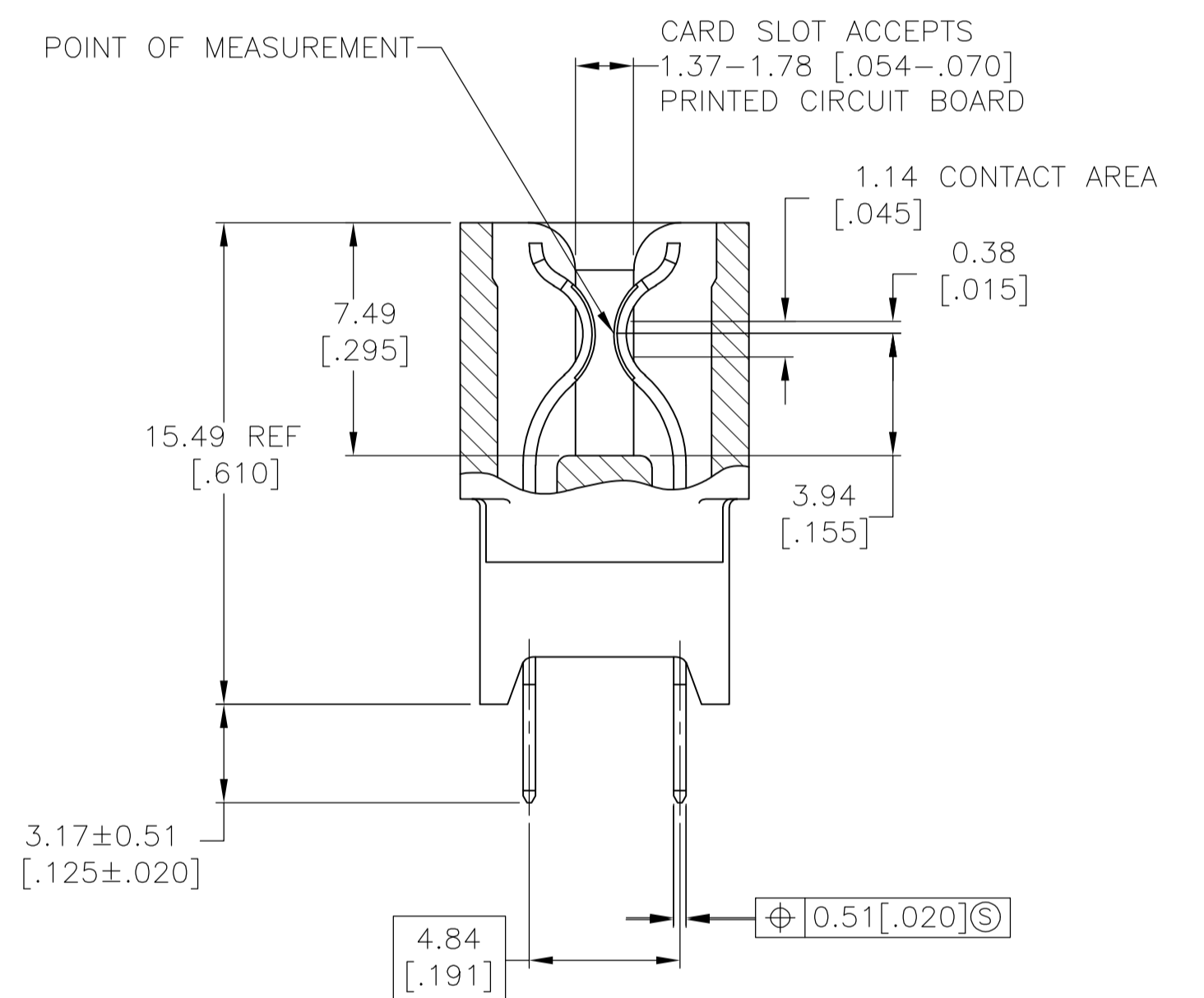
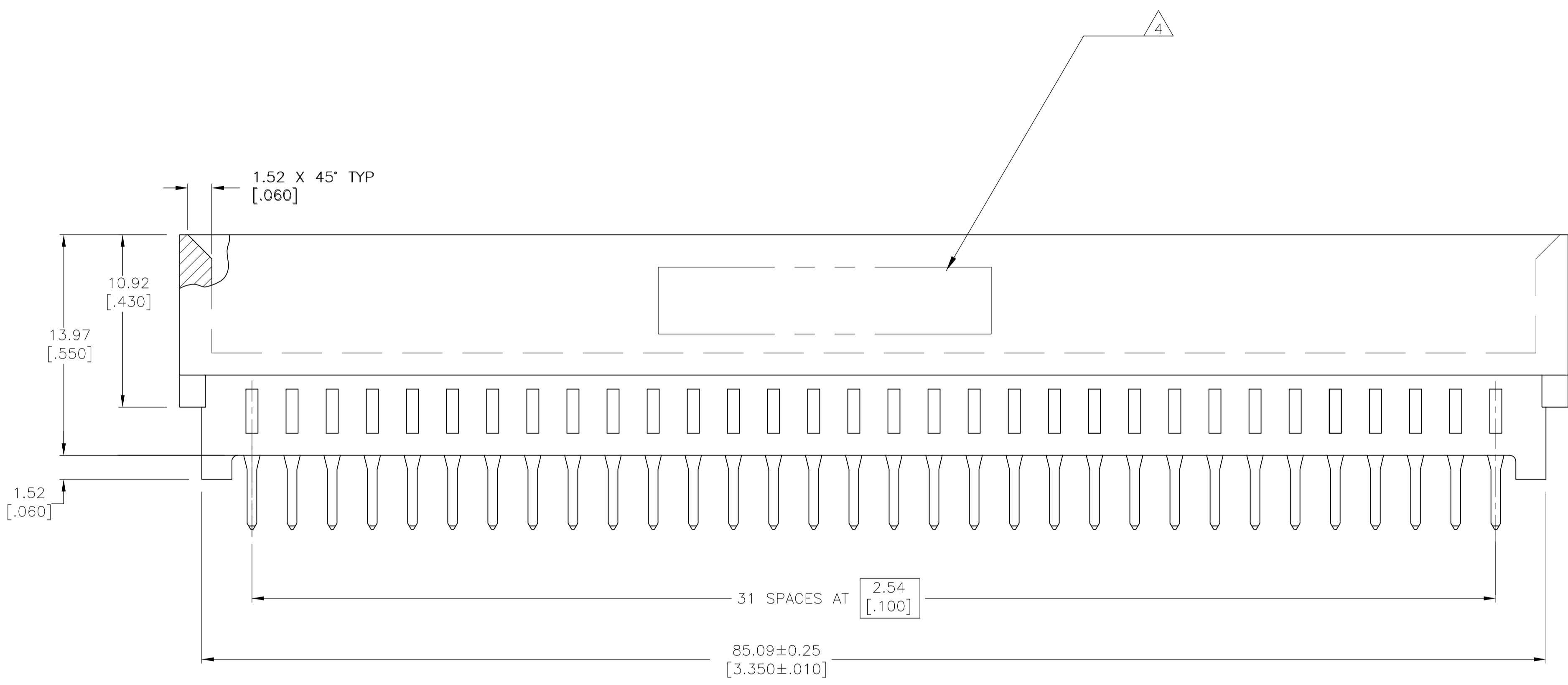


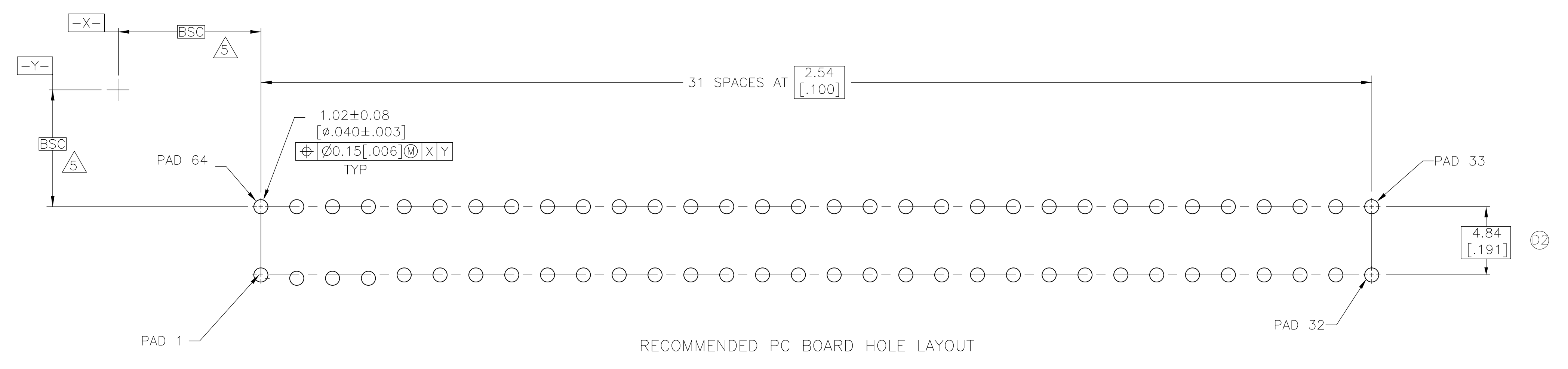
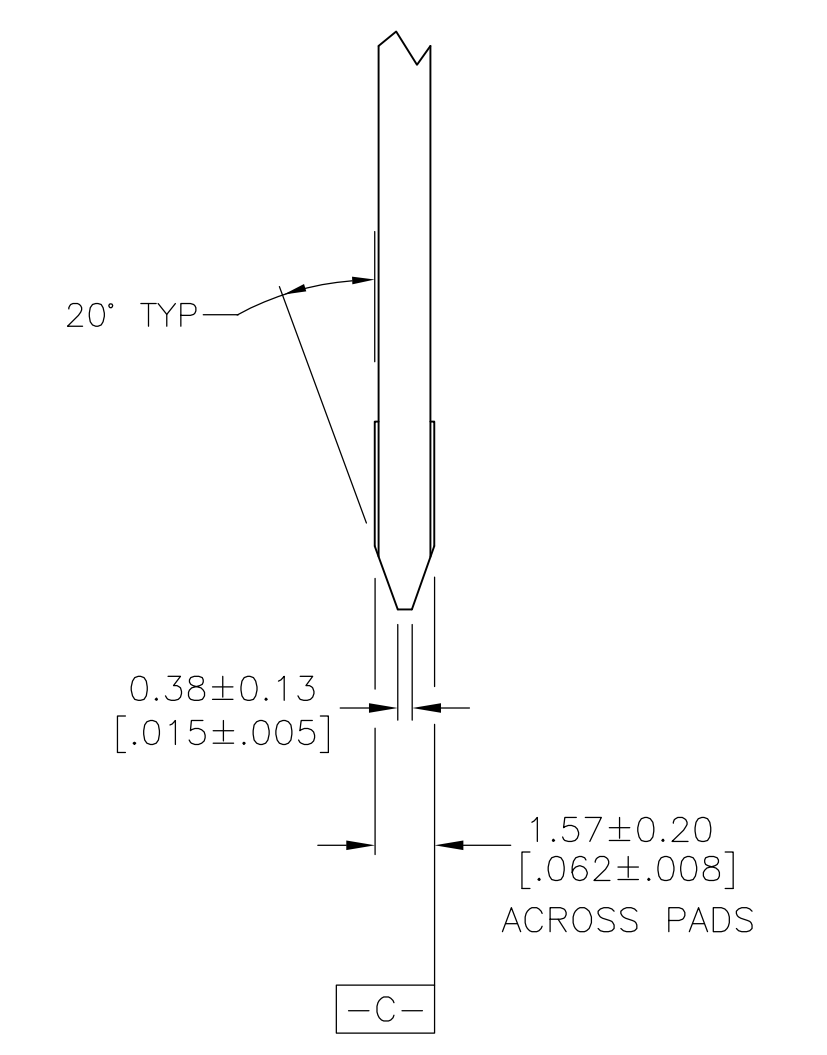
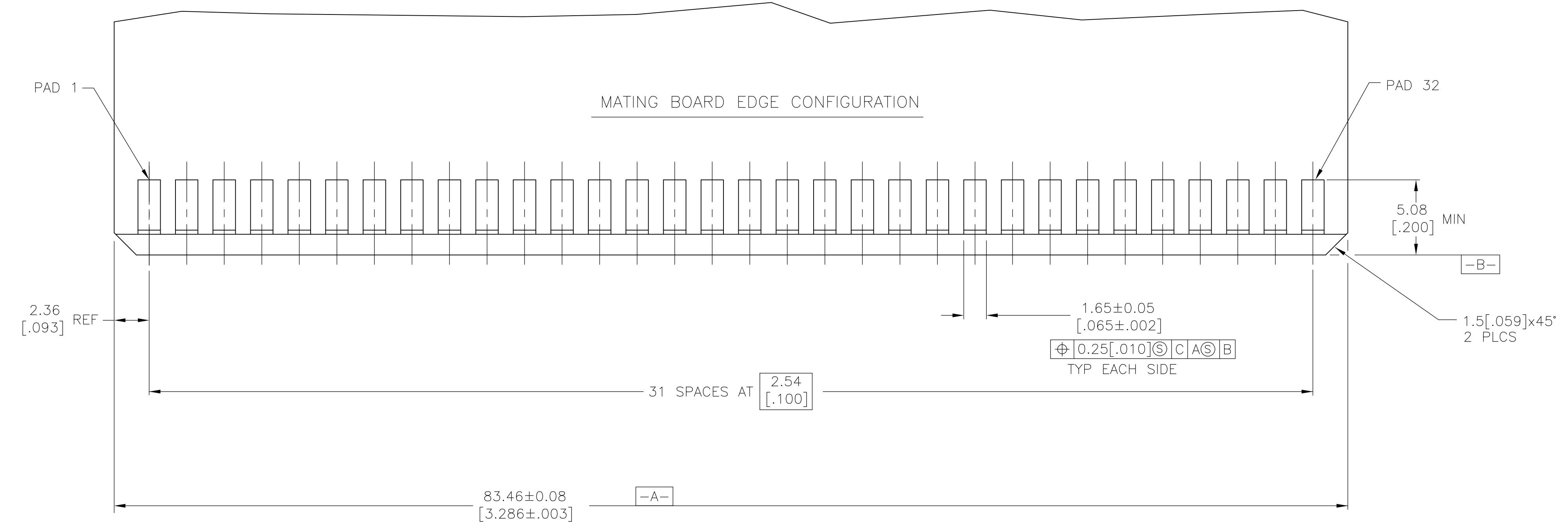
BOARD RETENTION FEATURE



- 1 HOUSING: GLASS FILLED POLYESTER, BLACK.
- 2 CONTACT: HIGH CONDUCTIVITY COPPER ALLOY.
NICKEL PLATE: 0.00127 [$.000050$] MIN - ALL OVER.
MATTE TIN PLATE: 0.00254 [$.000100$] MIN - SOLDER POSTS.
GOLD PLATE: 0.00076 [$.000030$] MIN - CONTACT AREA.
- 3. NICKEL PLATE PER MIL-G-45204.
GOLD PLATE PER QQ-N-290.
- 4 AMP PART NUMBER AND DATE CODE MAY BE MARKED IN APPROXIMATE AREA SHOWN, EITHER SIDE.
- 5 DATUMS PLUS BASIC DIMENSIONS ESTABLISHED BY CUSTOMER.

2,3,30,31, 34,35,62,63	1761469-1
RETENTION LOCATION	PART NUMBER

THIS DRAWING IS A CONTROLLED DOCUMENT.		DIN R. GRZYBOWSKI 21SEPT04	TE Connectivity	
DIMENSIONS: mm [INCHES]		CHK A. FRANTUM 21SEPT04		
TOLERANCES UNLESS OTHERWISE SPECIFIED:		APVD A. FRANTUM 21SEPT04	NAME	
0. PLC ± -		PRODUCT SPEC		
1. PLC ± -		108-2148		
2. PLC ± .13[.005]		APPLICATION SPEC		
3. PLC ± -		114-13018		
4. PLC ANGLES ± -		SIZE CAGE CODE DRAWING NO RESTRICTED TO		
MATERIAL		WEIGHT		
FINISH		A1 00779 C=1761469		
CUSTOMER DRAWING		SCALE 5:1 SHEET 1 OF 2 REV D2		



THIS DRAWING IS A CONTROLLED DOCUMENT.		DRN R. GRZYBOWSKI 21SEPT04	TE Connectivity	
DIMENSIONS: mm [INCHES]		CHK A. FRANTUM 21SEPT04	NAME A. FRANTUM	
TOLERANCES UNLESS OTHERWISE SPECIFIED:		PRODUCT SPEC 108-2148	CONNECTOR ASSEMBLY, STANDARD EDGE II, HIGH CURRENT DUAL POSITION, 2.54 [.100] CENTERLINE	
0. PLC ± -		APPLICATION SPEC 114-13018	SIZE A1	CAGE CODE DRAWING NO 00779
1. PLC ± -		WEIGHT -	SCALE 5:1	RESTRICTED TO -
2. PLC ± .13 [.005]		CUSTOMER DRAWING	SHEET 2	REV D2
3. PLC ± -			OF 2	
4. PLC ± -				
ANGLES ± °				
FINISH SEE SHEET 1				