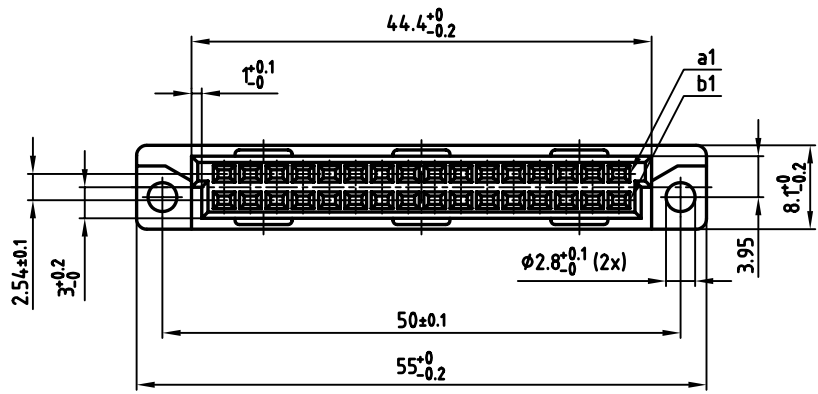
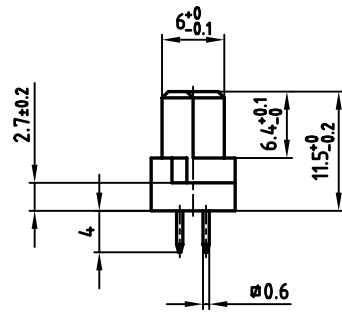
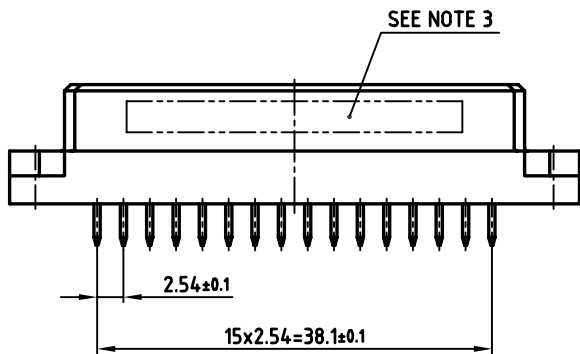
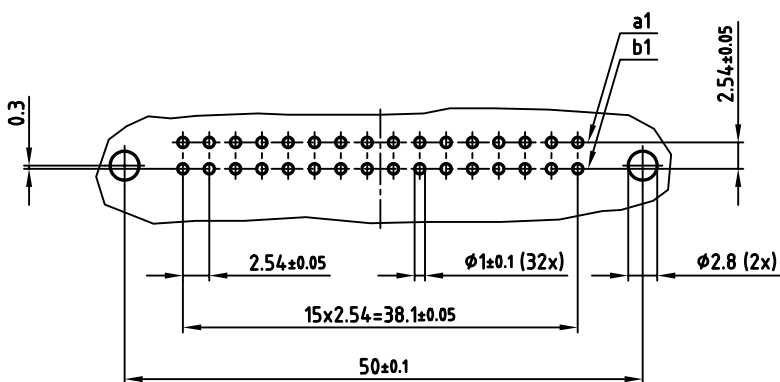


used for: DIN EN 60603 TYPE "B 1/2"



NOTES:

1. INSULATORS: PBTP UL 94 V-0, GREY
2. CONTACTS: COPPER ALLOY
PLATING: GOLD OVER NICKEL
50 MATING CYCLES
3. CONNECTOR IS PART MARKED: 122A10499X CONEC ABC



P.C.B. HOLE DRILLINGS

APPROVAL # FREIGABE # DEBLOCAGE # AUTORIZACION # APPROVAL	
CUSTOMER APPROVAL DATE:	
NAME:	TITLE:
COMPANY NAME:	
APPROVAL # FREIGABE # DEBLOCAGE # AUTORIZACION # APPROVAL	

THIS DRAWING MAY NOT BE COPIED OR REPRODUCED IN ANY WAY, AND MAY NOT BE PASSED ON TO A THIRD PARTY, WITHOUT WRITTEN PERMISSION. OWNERSHIP AND COPYRIGHT OF CONEC GmbH. DO NOT ALTER CAD DRAWING BY HAND

rev.	description	date	name

tolerance			dim. in mm
2004	date		
drawn	21.09.	name	
appd.	22.09.	Mickenbecker	
norm		DIN EN 60603	
d-old			

scale:	2:1		
material:	SEE NOTES		
title:	FEMALE CONNECTOR TYPE "B 1/2"		
	32pos. SOLDER PIN 4mm		
dwg no:	AutoCAD 2004	DIN-A	
	12K1A320	3	
part no:	122A10499X		
	sh: 1/1		