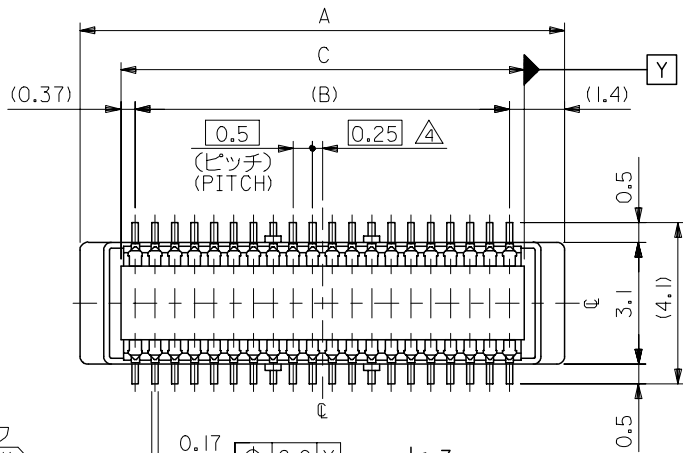
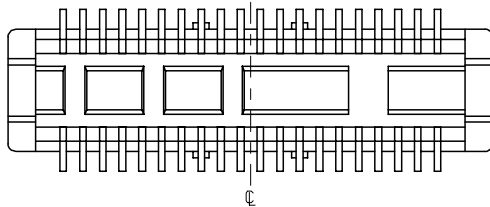
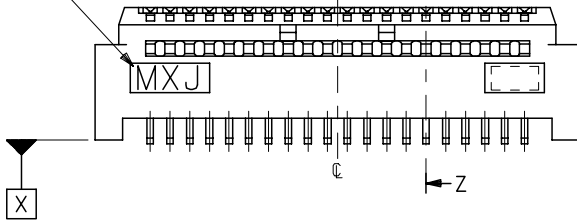


10 9 8 7 6 5 4 3 2 1

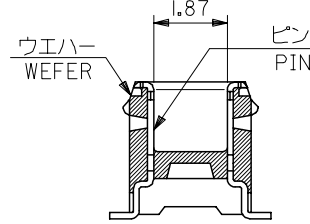
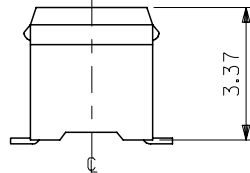


トレードマーク
TRADE MARK

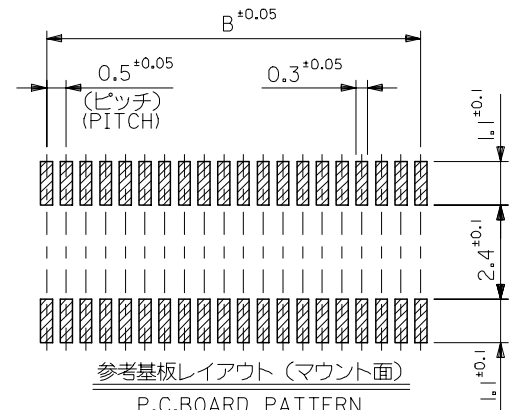


注記 NOTES:

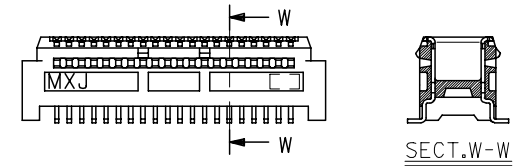
1. 使用材料 MATERIAL
 ウエハー: LCPガラス入り(黒), UL94V-0
 WAFER: LCP(G.F.) (COLOR: BLACK),
 UL94V-0
 ピン: 黄銅 (t=0.15)
 PIN: BRASS (t=0.15)
 2. メッキ仕様 PLATING
 全体仕上げ: 金メッキ 0.1 MICROMETER MIN.
 ALL OVER: GOLD 0.1 MICROMETER MIN.
 下地メッキ: ニッケルメッキ 1.5 MICROMETER MIN.
 UNDER PLATING: NICKEL 1.5 MICROMETER MIN.
 3. 基準面 [X] からのソルダーテールの半田付け面のズレ量は、上方向 0、
 下方向 0.15MAX. とする。
 MISALIGNMENT OF SOLDER TAIL FROM [X]
 : UPPER DIRECTION 0, LOWER DIRECTION 0.15 MAX.
- △ (全極数/2) = 偶数の場合に適用。
 APPLY FOR (CIRCUIT/2) = EVEN.
- 5 嵌合相手: 54167 シリーズ
 52991 シリーズ
 MATE WITH: 54167 SERIES,
 52991 SERIES.
 - 6 テール平坦度は、0.1MAX.
 TAIL COPLANARITY TO BE 0.1MAX.



SECT. Z-Z



参考基板レイアウト (マウント面)
 P.C. BOARD PATTERN
 DIMENSION (REF.)
 (MOUNTING AREA)



60極品以上形状図
 SHAPE OF OVER 60CKT.

20.24	19.5	22.3	53916-0801	80
17.74	17.0	19.8	-0701	70
15.24	14.5	17.3	-0601	60
12.74	12.0	14.8	-0501	50
10.24	9.5	12.3	-0401	40
7.74	7.0	9.8	-0301	30
5.24	4.5	7.3	53916-0201	20
C	B	A	MATERIAL NO.	極数 CIRCUIT

REVISED EC NO: J2006-0604 DR: WNAIDA 2005/08/31 CHK: KATOYODA 2005/09/01 APP: NUKITA 2005/09/09	GENERAL TOLERANCES (UNLESS SPECIFIED)		DIMENSION STYLE MM ONLY		SCALE ---	DESIGN UNITS METRIC	THIRD ANGLE PROJECTION
	10 UNDER	±0.2	DRAWN BY S. AIHARA	DATE '96/11/28	TITLE 0.5 B/B CONN PLUG ASSY (W/O BOSS, W/O NAIL) -LEAD FREE-		
	10 OVER 30 UNDER	±0.25	CHECKED BY M. SASAO	DATE '01/12/26			
	30 OVER	±0.3	APPROVED BY M. SASAO	DATE '01/12/26	MOLEX INCORPORATED		
ANGULAR	±3 °	MATERIAL NO.	DOCUMENT NO. SD-53916-001	SHEET NO. 1 OF 2			
DRAFT WHERE APPLICABLE MUST REMAIN WITHIN DIMENSIONS		SIZE A3	THIS DRAWING CONTAINS INFORMATION THAT IS PROPRIETARY TO MOLEX INCORPORATED AND SHOULD NOT BE USED WITHOUT WRITTEN PERMISSION				

10 9 8 7 6 5 4 3 2 1

F

E

D

C

B

A

F

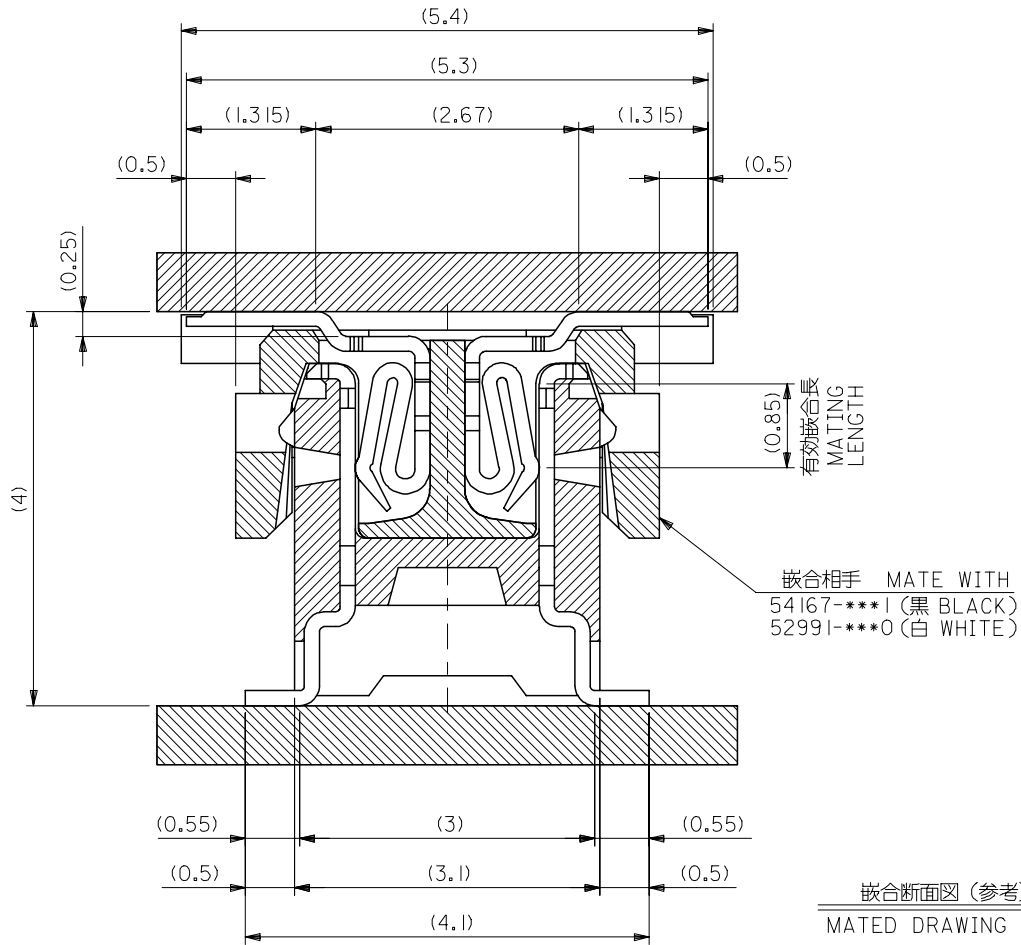
E

D

C

B

A

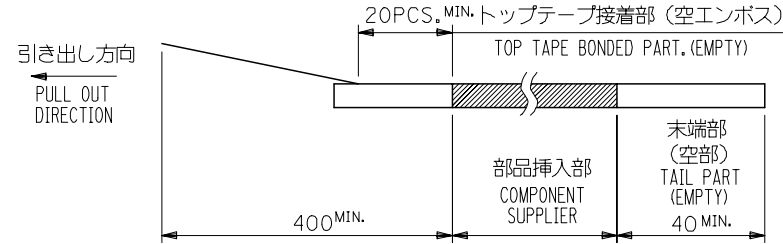
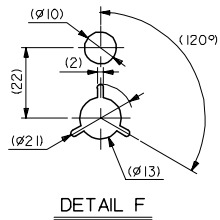
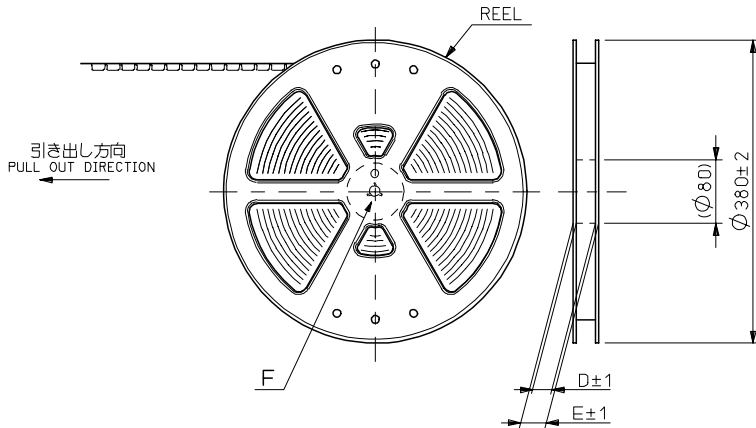


53916-***1 MODEL NO.

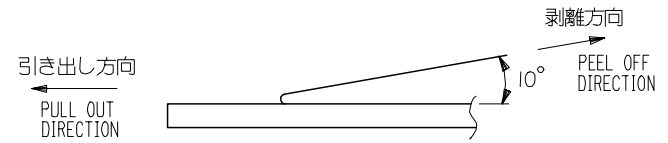
REVISED EC NO: J2006-0604 DRW:NAIDA 2005/08/31 CHK:KTOYODA 2005/09/01 APP:NUKITA 2005/09/09	GENERAL TOLERANCES (UNLESS SPECIFIED)		DIMENSION STYLE MM ONLY		SCALE ---	DESIGN UNITS METRIC	THIRD ANGLE PROJECTION	
	10 UNDER	± ---	DRAWN BY S. AIHARA	DATE '96/11/28	TITLE 0.5 B/B CONN PLUG ASSY (W/O BOSS, W/O NAIL) -LEAD FREE-			
	10 OVER 30 UNDER	± ---	CHECKED BY M. SASAO	DATE '01/12/26	APPROVED BY M. SASAO			
	30 OVER	± ---	APPROVED BY M. SASAO		DATE '01/12/26	MOLEX INCORPORATED		
	ANGULAR ± --- °	DRAFT WHERE APPLICABLE MUST REMAIN WITHIN DIMENSIONS		MATERIAL NO. SEE CHART	DOCUMENT NO. SD-53916-001	SHEET NO. 2 OF 2		
		THIS DRAWING CONTAINS INFORMATION THAT IS PROPRIETARY TO MOLEX INCORPORATED AND SHOULD NOT BE USED WITHOUT WRITTEN PERMISSION						

NOTES

- 製品詳細寸法については図面 SD-53916-001 を参照下さい。
RE DETAILED DIMENSION, SEE SD-53916-001
- 梱包数量：1500個/リール
NUMBER OF CONNECTORS：1500PCS/REEL
- リードテープ長さ LEAD TAPE LENGTH



- トップテープの剥離強度：0.1N~1.3N (10gf~130gf) (剥離方向は下図参照) 尚、本規格値は出荷時に適用。(但し、輸送時に剥離が発生しないこと。)
PEELING OFF FORCE OF TOP TAPE：0.1N~1.3N (10gf~130gf)
(PEELING DIRECTION AS SHOWN IN FOLLOWING FIG.)
THIS REQUIREMENT SHOULD BE APPLIED AT SHIPMENT.
PEEL OFF SHOULD NOT BE ALLOWED, DURING TRANSPORTATION.



- 材料(MATERIAL)
キャリアテープ(CARRIER TAPE)：ポリプロピレン(POLYPROPYLENE)
トップテープ(TOPTAPE)：PET, PE, PEF
リール(REEL)：ポリスチレン(P.S) <リサイクル材を含む>
POLYSTYRENE(PS) <RECYCLE MATERIAL CONTAINED>

53916-***8 MODEL NO.

REVISED EC NO: J2006-0604 DRW:NNAIDA 2005/08/31 CHKD:KTOYODA 2005/09/01 APPR:NUKITA 2005/09/09	GENERAL TOLERANCES (UNLESS SPECIFIED)		DIMENSION STYLE MM ONLY	SCALE ---	DESIGN UNITS METRIC	THIRD ANGLE PROJECTION
	10 UNDER	± 0.2	DRAWN BY S. AIHARA	DATE '96/11/27	TITLE 0.5 B/B CONN PLUG ASSY EMBSTP PKG -LEAD FREE-	
	10 OVER 30 UNDER	± 0.25	CHECKED BY T. ITO	DATE '01/01/26	MOLEX INCORPORATED	
	30 OVER	± 0.3	APPROVED BY M. FUKUSHIMA	DATE '01/01/26	DOCUMENT NO. SD-53916-002	SHEET NO. 1 OF 4
	ANGULAR	± 3 °	MATERIAL NO. SEE CHART			
G	DRAFT WHERE APPLICABLE MUST REMAIN WITHIN DIMENSIONS		SIZE A3	THIS DRAWING CONTAINS INFORMATION THAT IS PROPRIETARY TO MOLEX INCORPORATED AND SHOULD NOT BE USED WITHOUT WRITTEN PERMISSION		

10 9 8 7 6 5 4 3 2 1

F

E

D

C

B

A

F

E

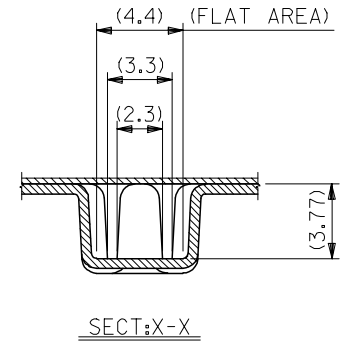
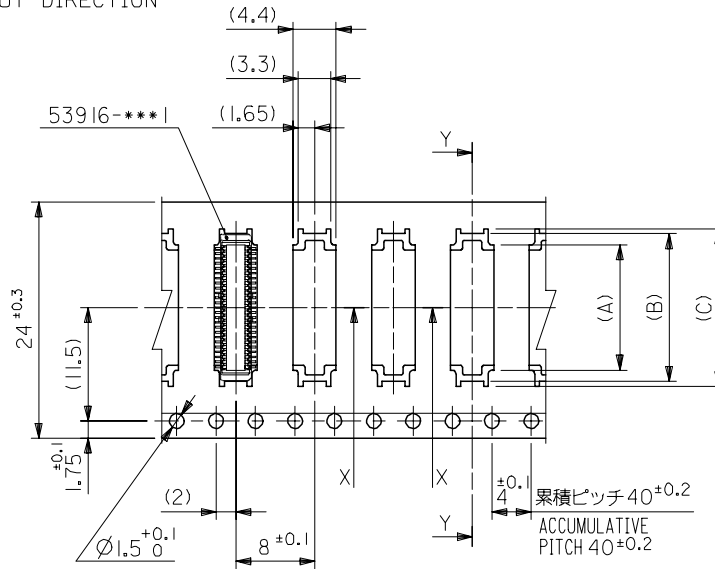
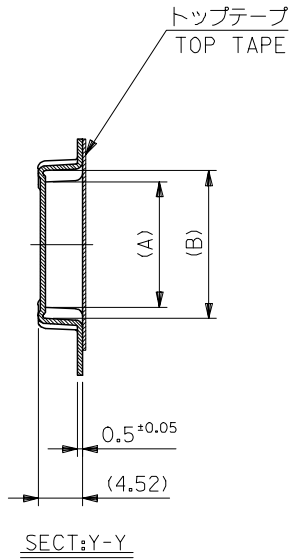
D

C

B

A

引き出し方向
PULL OUT DIRECTION



24mm幅キャリアテープ
24mm WIDTH CARRIER TAPE

24	29.4	25.4	16	15	12.67	53916-0508	50
			13.5	12.5	10.17	53916-0408	40
			11	10	7.67	53916-0308	30
			8.5	7.5	5.17	53916-0208	20

53916-***8		MODEL NO.		キャリアテープ幅 CARRIER TAPE WIDTH	E	D	(C)	(B)	(A)	MATERIAL NO.	極数 CIRCUIT
GENERAL TOLERANCES (UNLESS SPECIFIED)				DIMENSION STYLE MM ONLY			SCALE ---	DESIGN UNITS METRIC		THIRD ANGLE PROJECTION	
10 UNDER	± ---	DRAWN BY S. AIHARA		DATE '96/11/27		TITLE 0.5 B/B CONN PLUG ASSY EMBSTP PKG -LEAD FREE-					
10 OVER 30 UNDER	± ---	CHECKED BY T. ITO		DATE '01/01/26		MOLEX INCORPORATED					
30 OVER	± ---	APPROVED BY M. FUKUSHIMA		DATE '01/01/26							
ANGULAR ± --- °		MATERIAL NO.		DOCUMENT NO.		SHEET NO.					
DRAFT WHERE APPLICABLE MUST REMAIN WITHIN DIMENSIONS				SEE CHART		SD-53916-002		2 OF 4			
THIS DRAWING CONTAINS INFORMATION THAT IS PROPRIETARY TO MOLEX INCORPORATED AND SHOULD NOT BE USED WITHOUT WRITTEN PERMISSION											

10 9 8 7 6 5 4 3 2 1

F

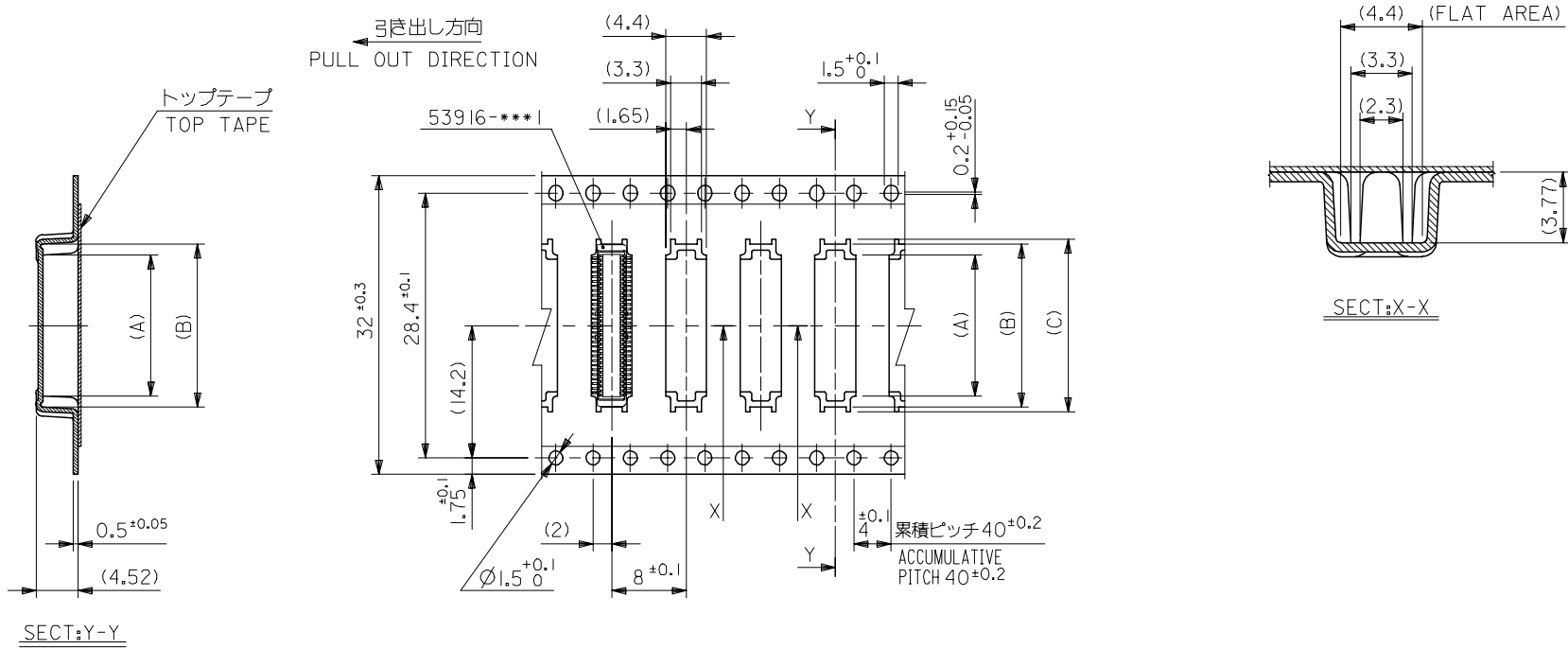
E

D

C

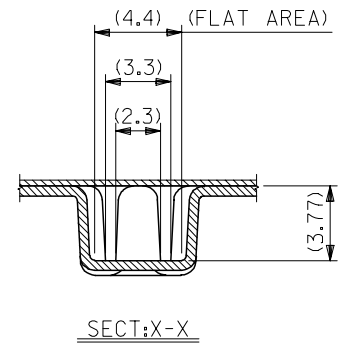
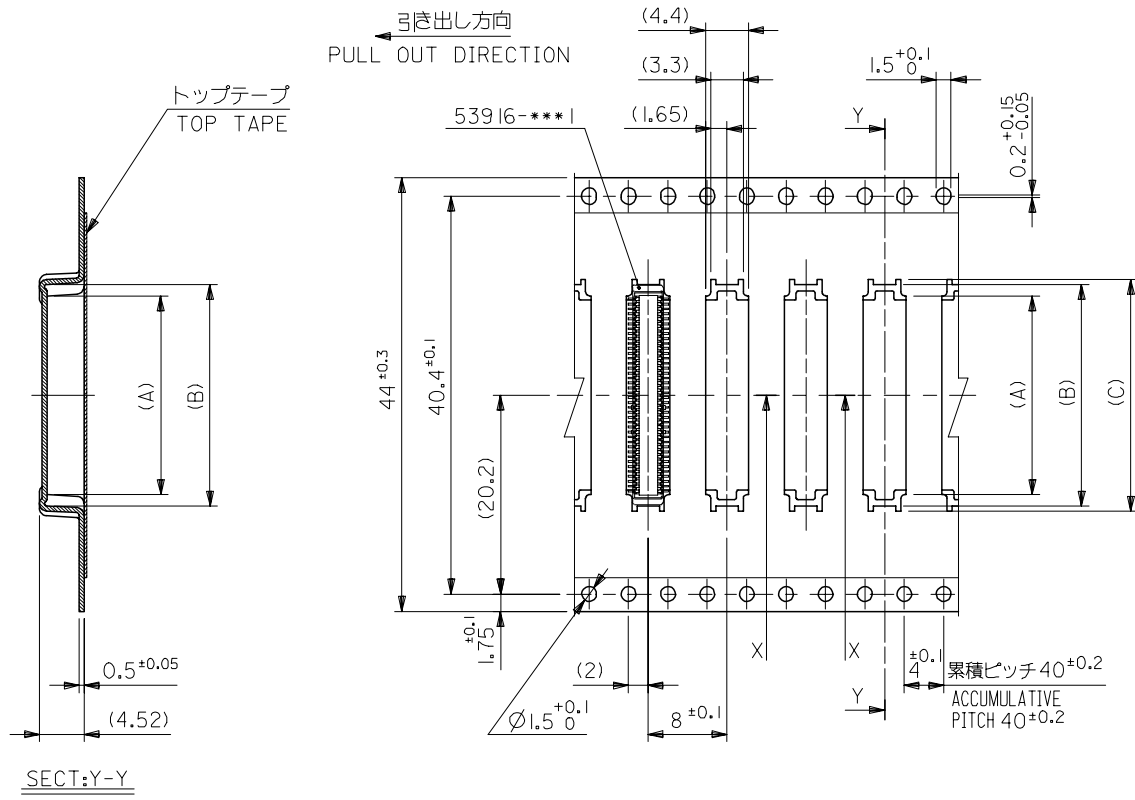
B

A



32mm幅キャリアテープ
32mm WIDTH CARRIER TAPE

REVISED	EC NO: J2006-0604	2005/08/31	DRW:NAIDA	2005/09/01	CHK:KTOYODA	2005/09/09	APP:NUKITA	DESCRIPTION	53916-***8	MODEL NO.	32	37.4	33.4	18.5	17.5	15.17	53916-0608	60
G	GENERAL TOLERANCES (UNLESS SPECIFIED)								DIMENSION STYLE		SCALE		DESIGN UNITS		THIRD ANGLE PROJECTION			
10 UNDER		± ---		DRAWN BY		DATE		TITLE		---		METRIC		0.5 B/B CONN PLUG ASSY				
10 OVER 30 UNDER		± ---		T. YASUI		'97/05/14		EMBSTP PKG						-LEAD FREE-				
30 OVER		± ---		T. ITO		'01/01/26		APPROVED BY		M. FUKUSHIMA		'01/01/26		MOLEX INCORPORATED				
ANGULAR		± --- °		MATERIAL NO.		SEE CHART		DOCUMENT NO.		SD-53916-002		SHEET NO.		3 OF 4				
DRAFT WHERE APPLICABLE MUST REMAIN WITHIN DIMENSIONS		SIZE		A3		THIS DRAWING CONTAINS INFORMATION THAT IS PROPRIETARY TO MOLEX INCORPORATED AND SHOULD NOT BE USED WITHOUT WRITTEN PERMISSION												



44mm幅キャリアテープ
44mm WIDTH CARRIER TAPE

44	49.4	45.4	23.5	22.5	20.17	53916-0808	80
キャリアテープ幅 CARRIER TAPE WIDTH	E	D	(C)	(B)	(A)	MATERIAL NO.	極数 CIRCUIT

REVISED	DESCRIPTION
EC NO: J2006-0604	2005/08/31
DRW:NAIDA	2005/09/01
CHK:KTOYODA	2005/09/01
APP:NUKITA	2005/09/09
G	REV

53916-***8	MODEL NO.
GENERAL TOLERANCES (UNLESS SPECIFIED)	
10 UNDER	± ---
10 OVER 30 UNDER	± ---
30 OVER	± ---
ANGULAR	± --- °
DRAFT WHERE APPLICABLE MUST REMAIN WITHIN DIMENSIONS	

DIMENSION STYLE MM ONLY	
DRAWN BY S. AIHARA	DATE '98/10/23
CHECKED BY T. ITO	DATE '01/01/26
APPROVED BY M. FUKUSHIMA	DATE '01/01/26
MATERIAL NO. SEE CHART	
SIZE A3	THIS DRAWING CONTAINS INFORMATION THAT IS PROPRIETARY TO MOLEX INCORPORATED AND SHOULD NOT BE USED WITHOUT WRITTEN PERMISSION

SCALE ---	DESIGN UNITS METRIC	THIRD ANGLE PROJECTION
TITLE 0.5 B/B CONN PLUG ASSY EMBSTP PKG -LEAD FREE-		
MOLEX MOLEX INCORPORATED		
DOCUMENT NO. SD-53916-002	SHEET NO. 4 OF 4	