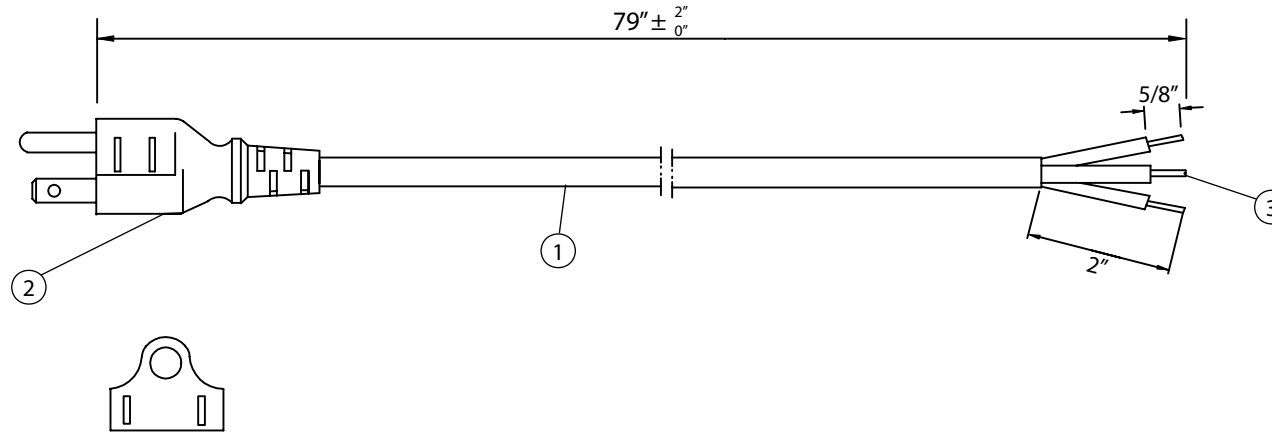


THESE DRAWINGS ARE THE PROPERTY OF QUALTEK ELECTRONICS AND NOT TO BE REPRODUCED FOR OR COMMUNICATED TO A THIRD PARTY WITHOUT THE EXPRESS WRITTEN PERMISSION OF AN OFFICER OF QUALTEK ELECTRONICS.

| REVISION | | | |
|----------|-----------------|----------|----------|
| REV. | DESCRIPTION | DATE | APPROVED |
| B | RoHS Compliancy | 06-01-06 | DP |
| | | | |
| | | | |



NOTES:

1. CORDAGE: SJT, 18AWG / 3C, UNSHIELDED, CEE COLOR CODE, TEMP. RATING 105°C, RATING: 125V 10A, JACKET COLOR: BLACK
2. PLUG: NEMA 5-15P
3. OTHER END: ROJ 2', STRIP 5/8"
4. APPROVALS: UL, cUL
5. ROHS COMPLIANT

CONTROLLED

| Dim range (mm) | | Tolerance +/- (mm) | | Qualtek Electronics Corp. PPC DIVISION | | |
|----------------|------|-------------------------|--|---|--|--|
| 0-1 | 0.15 | Part Number: 311030-01 | | RoHS Compliant | | |
| 1-6 | 0.20 | Description: POWER CORD | | | | |
| 6-18 | 0.30 | UNIT: in | | REV.B | | |
| 18-50 | 0.50 | Drawn / Date | | Checked / Date | | |
| 50-120 | 0.70 | B. Zhang 04-19-02 | | 04-19-02 | | |
| 120-250 | 0.90 | Approved / Date | | JJH / 04-19-02 | | |
| 250-500 | 1.20 | | | | | |