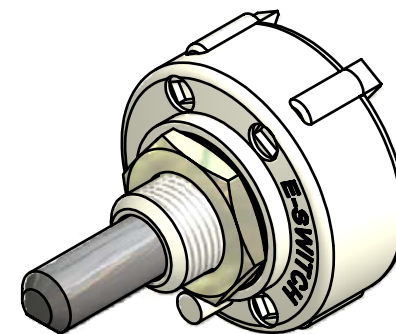
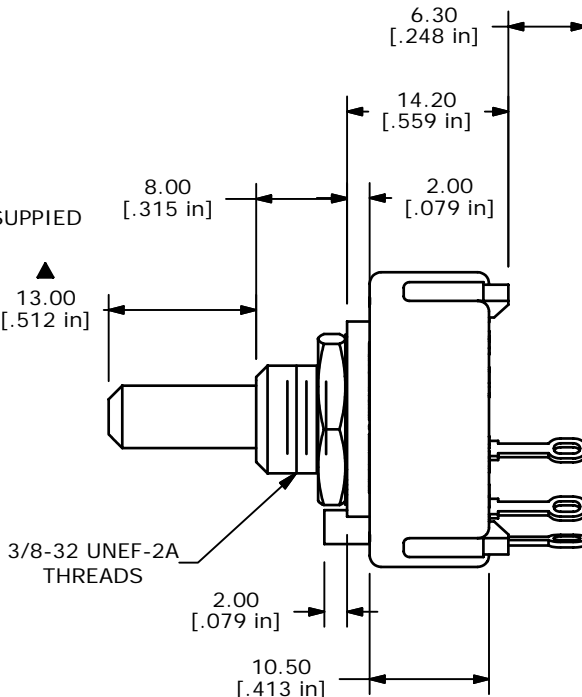
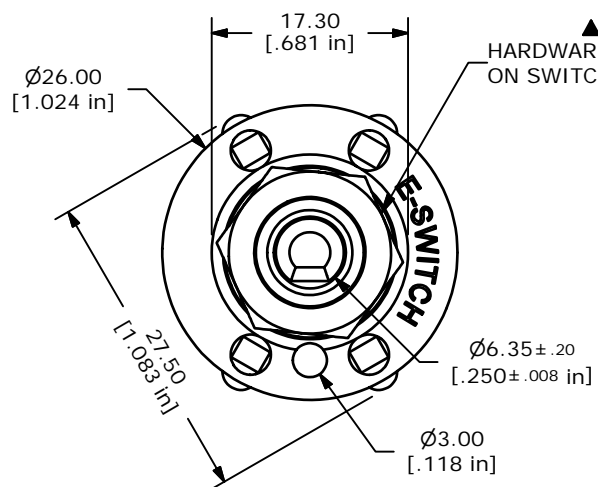
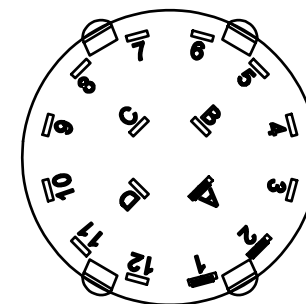


**CONTACT CONFIGURATION**  
TIMING (BBM) NON-SHORTING



ISOMETRIC



- NOTE:
1. ALL DIMENSIONS IN MM [INCH].
  2. GENERAL TOLERANCE: X.X=±0.4  
X.XX=±0.25
  3. TERM. NOS. FOR REFERENCE ONLY.
  - ▲ 4. CONTACT MATERIAL: SILVER
  5. CONTACT RATING: 0.3A @ 125VAC
  6. CONTACT RATING: (NON-SWITCHING) 5A
  7. OPERATING FORCE 800±300gm-cm
  8. OPERATING TEMP: -30°C TO 85°C
  - ▲ 9. CIRCUIT SP: DT POSITION 30° INDEX.
  10. DIELECTRIC STRENGTH: 500VAC FOR 1 MIN.
  - ▲ 11. HARDWARE SUPPLIED ON SWITCH:  
LOCKWASHER, HEXNUT, STOP RING
  12. ▲ DENOTES CRITICAL PARAMETER.
  13. 2002/95/EC (ROHS) COMPLIANT



TITLE KC12A13.001NLS

A	17211	RELEASED FOR PRODUCTION	4/24/07	TN
REV	PCR NO	DESCRIPTION	DATE	BY

THE INFORMATION CONTAINED IN THIS DOCUMENT IS PROPRIETARY TO E-SWITCH AND IS NOT TO BE COPIED OR TRANSFERRED

SCALE	DATE	DR	DWG	REV
1.5:1	4/24/2007	TN	G510608	A