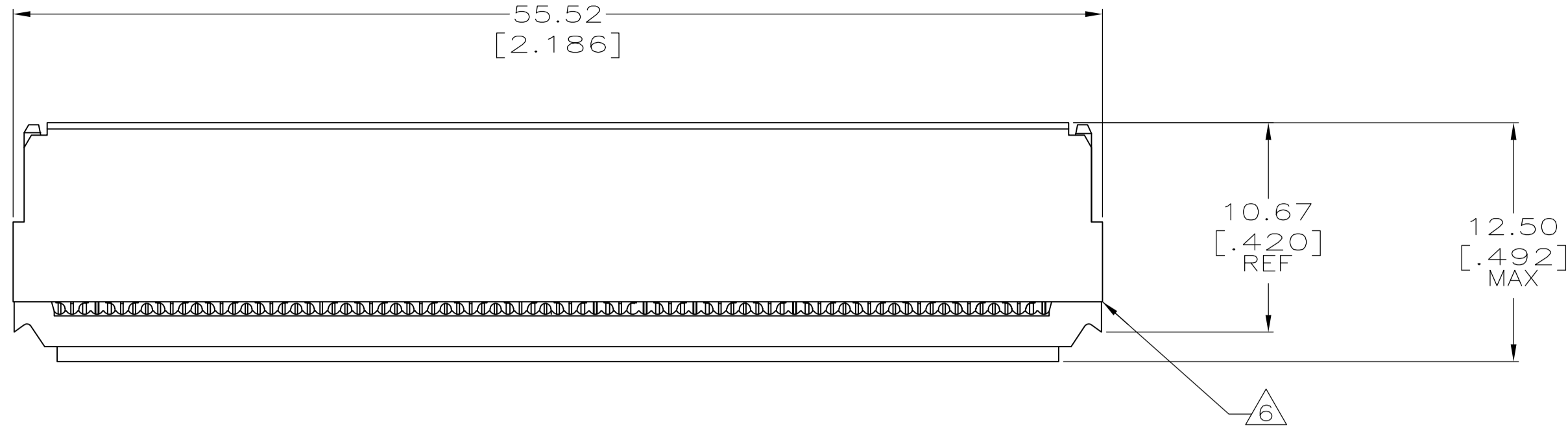
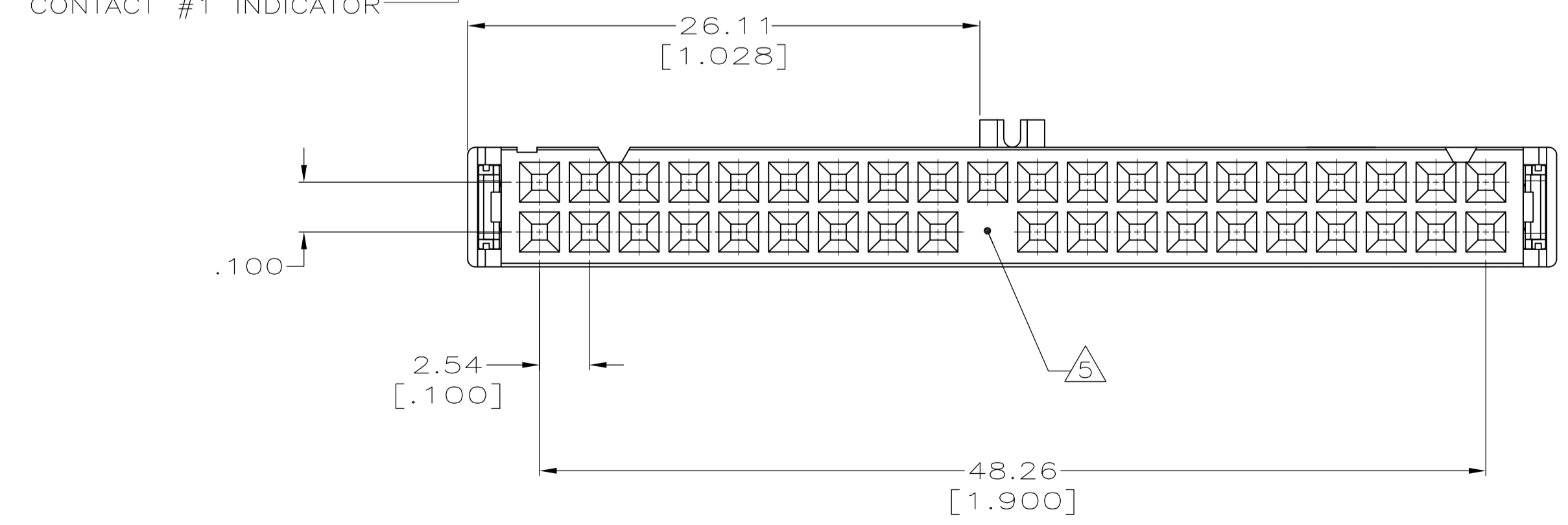
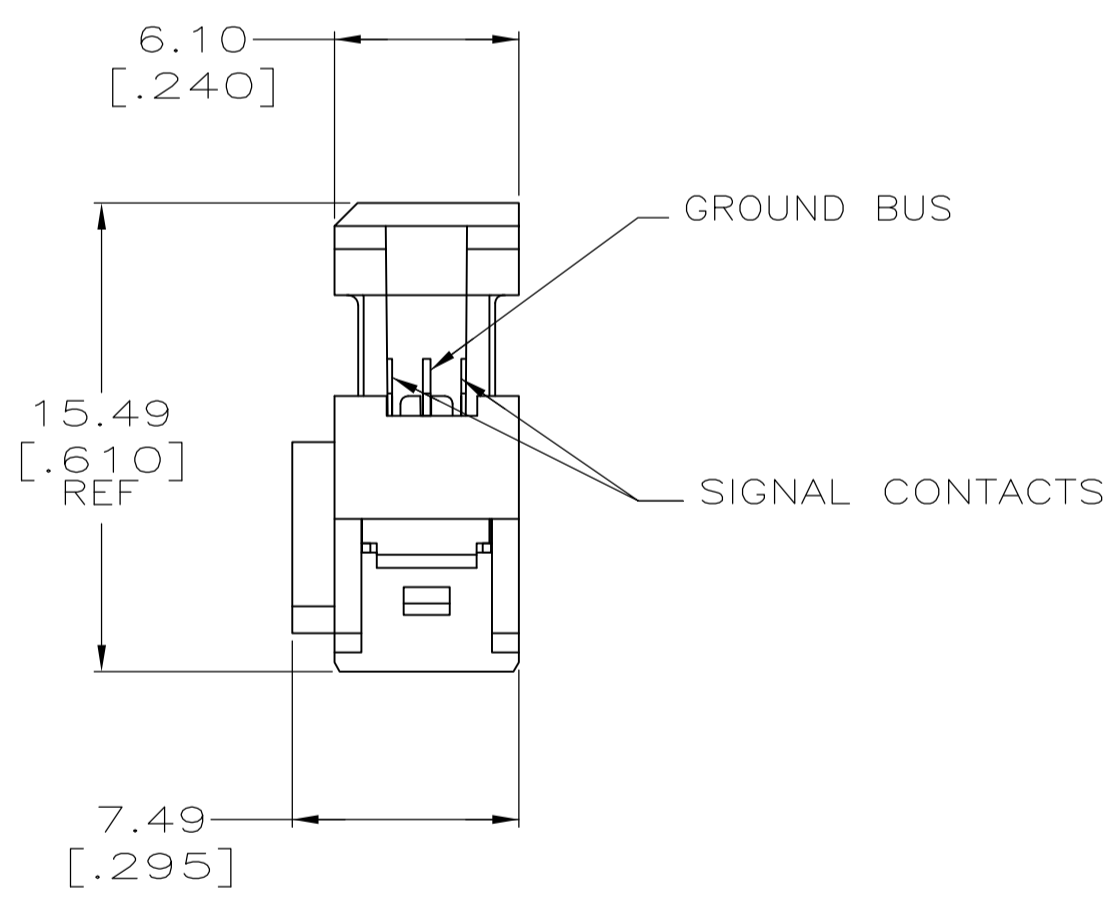
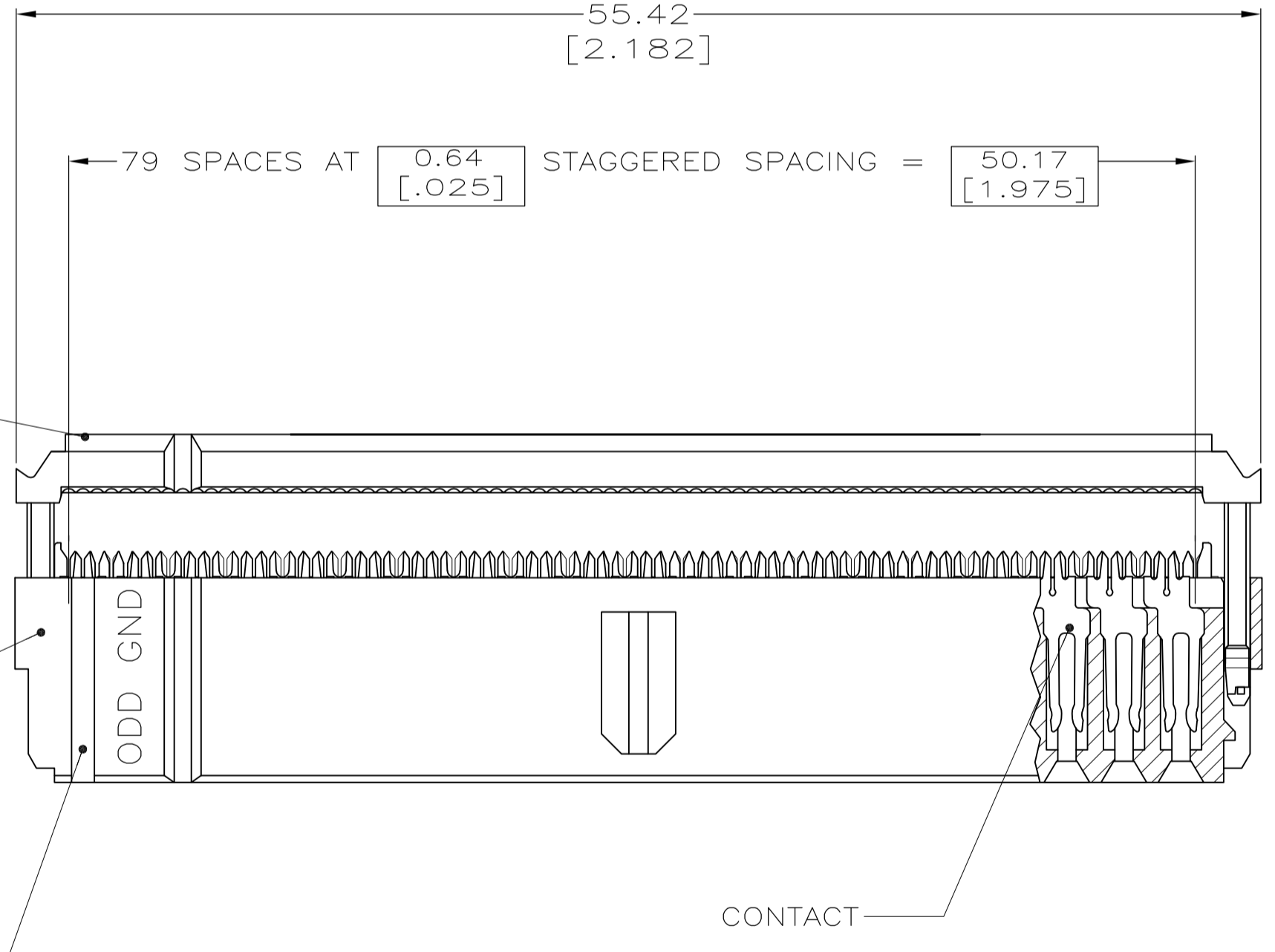
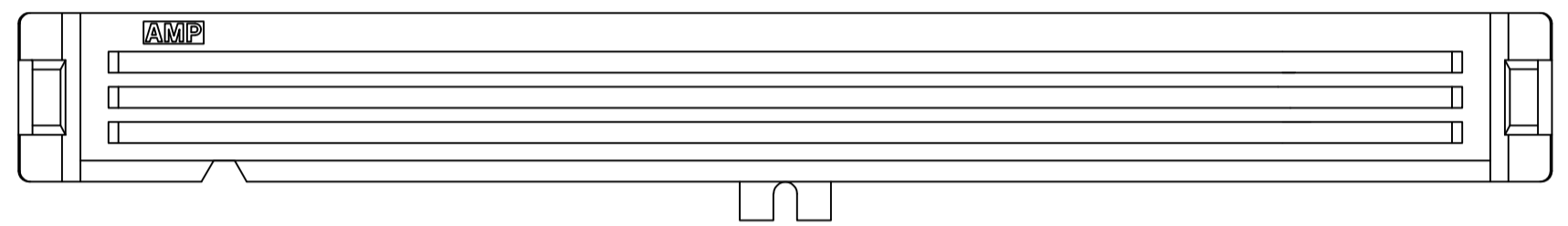


REVISIONS					
P	LTR	DESCRIPTION	DATE	OWN	APVD
A4		ECR-16-008724	16JUN2016	I.T	W.H



TERMINATED VIEW



- ① HOUSING: THERMOPLASTIC, UL 94V-0 RATED, SEE TABLE. COVER: THERMOPLASTIC, UL 94V-0 RATED, BLACK. CONTACTS: PHOSPHOR BRONZE PER QQ-B-750.
- ② CONTACTS: 0.38μm[.000015] MIN GOLD ON MATING END, 1.27μm[.000050] MIN TIN ON TERMINATION END, ALL OVER 1.27μm[.000050] MIN NICKEL ON ENTIRE CONTACT. GROUND BUS: 2.54μm[.000100] MIN TIN OVER 1.27μm[.000050] MIN NICKEL ON ENTIRE GROUND BUS.
- ③ CONTACT 34 GROUNDED.
- ④ NO CONTACT AT POSITION 28.
- ⑤ MOLDED KEYING AT CONTACT 20.
- ⑥ NO GAP ALLOWED BETWEEN COVER AND HOUSING AT TERMINATION. .012 MAX GAP AT ANY OTHER TIME AFTER TERMINATION.
- 7. ALL ODD CABLE CONDUCTORS TERMINATE DIRECTLY TO THE GROUND BUS IN ALL CONNECTORS.
- 8. ALL EVEN CABLE CONDUCTORS TERMINATE TO CONNECTOR CONTACT NUMBERS USING THE FOLLOWING FORMULA: CABLE CONDUCTOR "X" TERMINATES TO CONNECTOR CONTACT NUMBER X/2. EXAMPLE: CABLE CONDUCTOR 46 TERMINATES TO CONNECTOR CONTACT NUMBER 23 (46/2).
- 9. EXCEPTIONS TO NOTE 8 AND DIFFERENCES BETWEEN CONNECTORS ARE SHOWN IN THE TABLE BELOW.
- ⑩ CONTACTS: 0.38μm[.000015] MIN GOLD ON MATING END, GOLD FLASH ON TERMINATION END, ALL OVER 1.27μm[.000050] MIN NICKEL ON ENTIRE CONTACT. GROUND BUS: GOLD FLASH OVER 1.27μm[.000050] MIN NICKEL ON ENTIRE GROUND BUS.

CABLE CONDUCTOR #	CABLE CONDUCTOR # SHOWN CONNECTS TO:		
	BLUE CONNECTOR CONTACT #	BLACK CONNECTOR CONTACT #	GRAY CONNECTOR CONTACT #
4	2 & GROUND BUS	2 & GROUND BUS	2 & GROUND BUS
38	19 & GROUND BUS	19 & GROUND BUS	19 & GROUND BUS
44	22 & GROUND BUS	22 & GROUND BUS	22 & GROUND BUS
48	24 & GROUND BUS	24 & GROUND BUS	24 & GROUND BUS
52	26 & GROUND BUS	26 & GROUND BUS	26 & GROUND BUS
56	28	28	NC (OPEN)
60	30 & GROUND BUS	30 & GROUND BUS	30 & GROUND BUS
68	34 & GROUND BUS	34	34
80	40 & GROUND BUS	40 & GROUND BUS	40 & GROUND BUS

OBSOLETE	⑩	DEVICE(1) SLAVE	GRAY	④	1658619-6
	⑩	SYSTEMS BOARD	BLUE	③	1658619-5
	⑩	DEVICE(O) PRIMARY	BLACK		1658619-4
OBSOLETE	②	DEVICE(1) SLAVE	GRAY	④	1658619-3
OBSOLETE	②	SYSTEMS BOARD	BLUE	③	1658619-2
OBSOLETE	②	DEVICE(O) PRIMARY	BLACK		1658619-1

FINISH	CONNECTOR TYPE	HOUSING COLOR	PART NUMBER
①	SEE TABLE		

THIS DRAWING IS A CONTROLLED DOCUMENT.		DIN R SAMICK 22AUG03	TE Connectivity	
DIMENSIONS: mm [INCHES]		CHK C RÖHDE 22AUG03		
TOLERANCES UNLESS OTHERWISE SPECIFIED:		APVD M WALMSLEY 22AUG03	NAME RECEPTACLE ASSY LEAD FREE, AMP-LATCH™ ULTRA NOVO	
0 PLC ± -	1 PLC ± -	PRODUCT SPEC 108-1740	SIZE CAGE CODE DRAWING NO	
2 PLC ± 0.08 [INCHES]	3 PLC ± -	APPLICATION SPEC 114-40056	RESTRICTED TO	
4 PLC ± -	ANGLES ± -	WEIGHT 0.000000	A1 00779	1658619
MATERIAL FINISH SEE TABLE		CUSTOMER DRAWING	SCALE 4:1	SHEET 1 OF 1 REV A4