

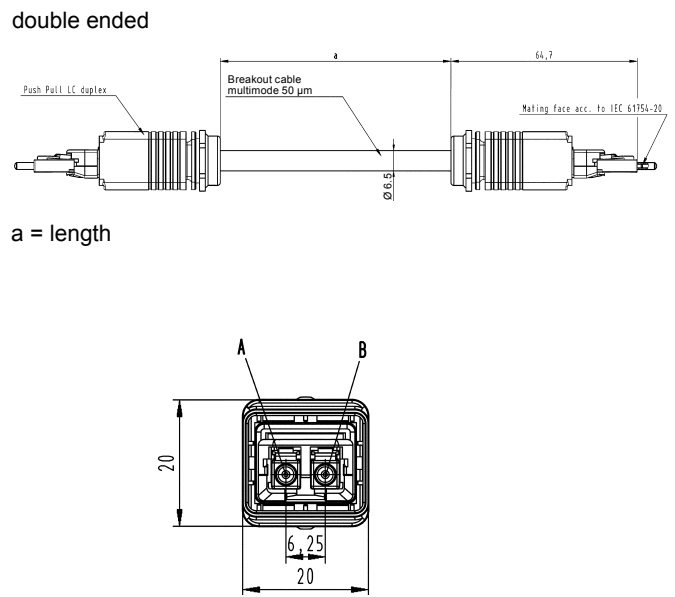


Identification	Part No.	Drawing	Dimensions in mm
----------------	----------	---------	------------------

**Fibre optic cable, double ended, multi mode, 50 µm**

Length: a = 1 m  
 a = 5 m  
 a = 10 m  
 a = 20 m  
 a = 40 m  
 a = 50 m  
 a = 100 m

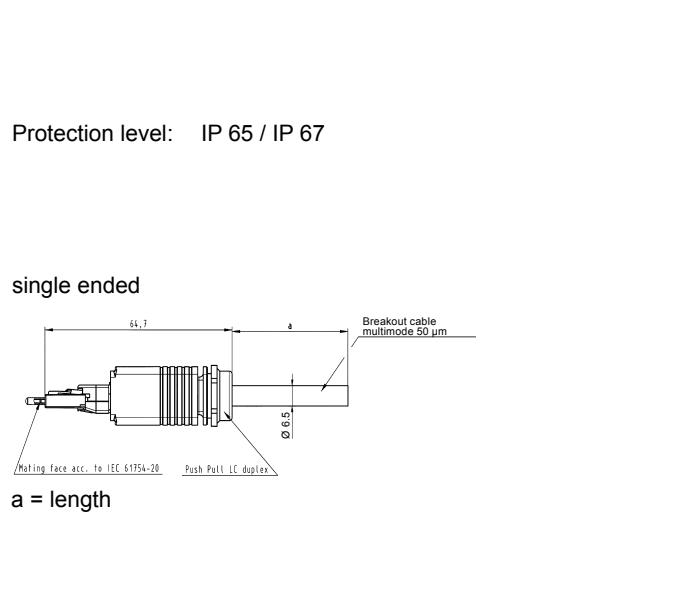
33 58 211 0010 004  
 33 58 211 0050 004  
 33 58 211 0100 004  
 33 58 211 0200 004  
 33 58 211 0400 004  
 33 58 211 0500 004  
 33 58 211 1000 004



**Fibre optic cable, single ended, multi mode, 50 µm**

Length: a = 1 m  
 a = 5 m  
 a = 10 m  
 a = 20 m  
 a = 40 m  
 a = 50 m  
 a = 100 m

33 58 111 0010 004  
 33 58 111 0050 004  
 33 58 111 0100 004  
 33 58 111 0200 004  
 33 58 111 0400 004  
 33 58 111 0500 004  
 33 58 111 1000 004



**Fibre optic breakout cable, multi mode, 50 µm**

Length: 10 m  
 Length: 20 m  
 Length: 100 m

33 58 751 0100 003  
 33 58 751 0200 003  
 33 58 751 1000 003

PUR jacket  
 2-fibre multi mode 50 µm  
 Outer diameter: 6.5 mm  
 Min. bending radius:  
 Installation: 10.4 cm  
 Operating: 5.2 cm