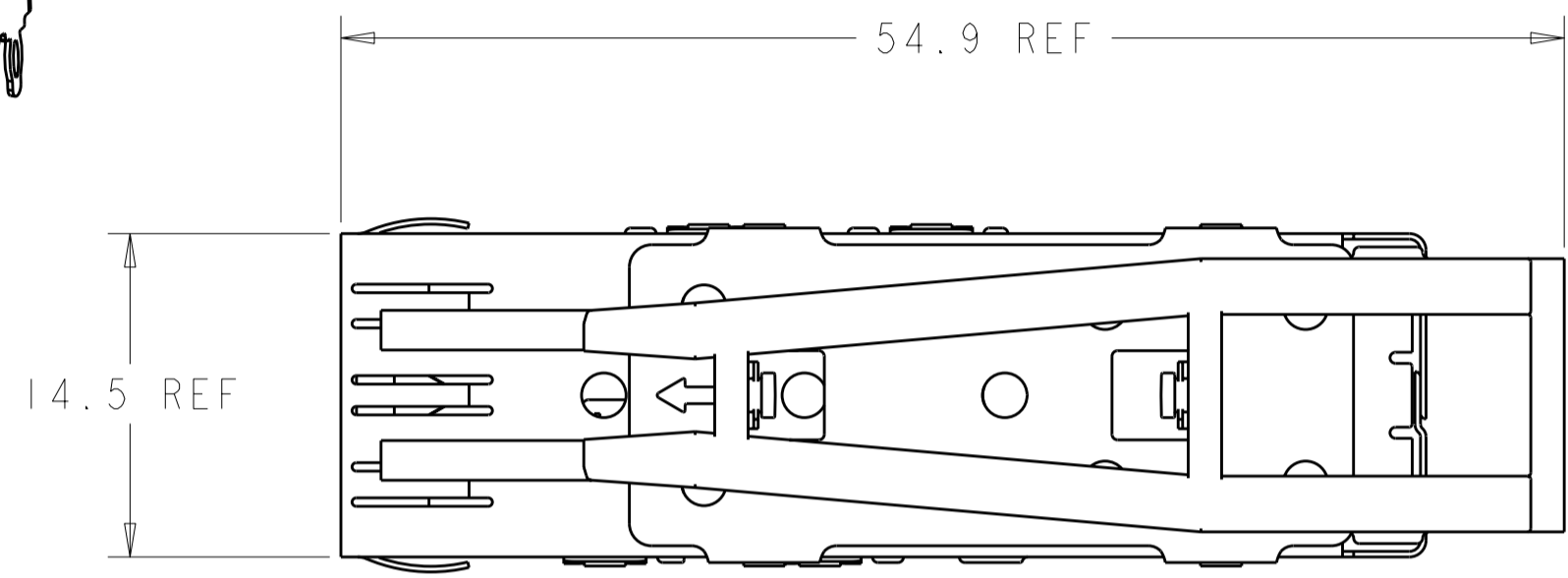
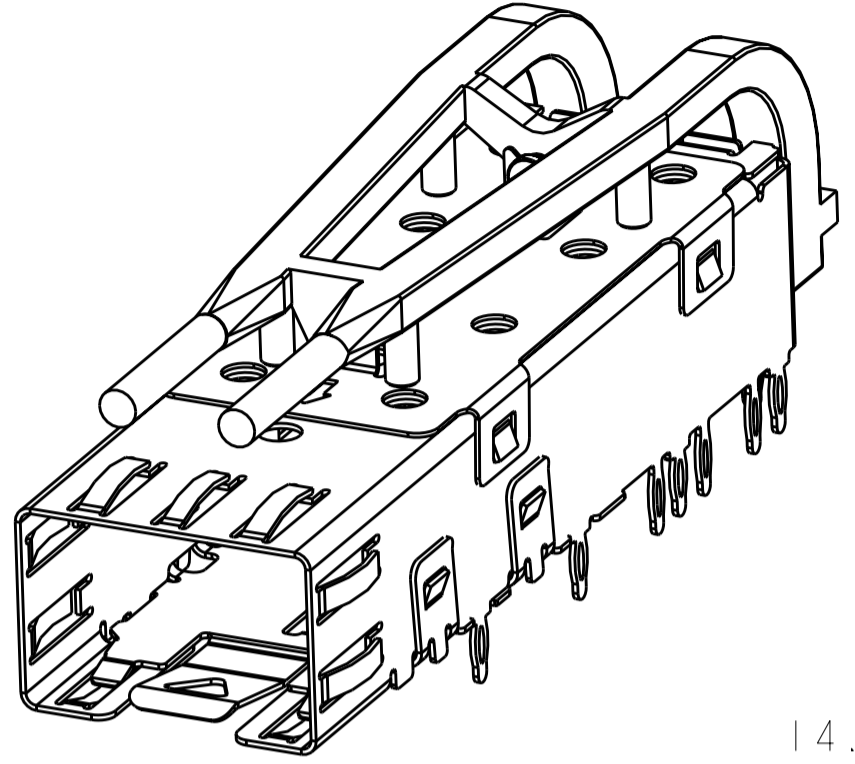
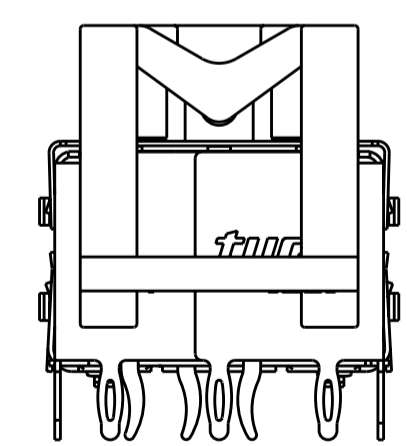
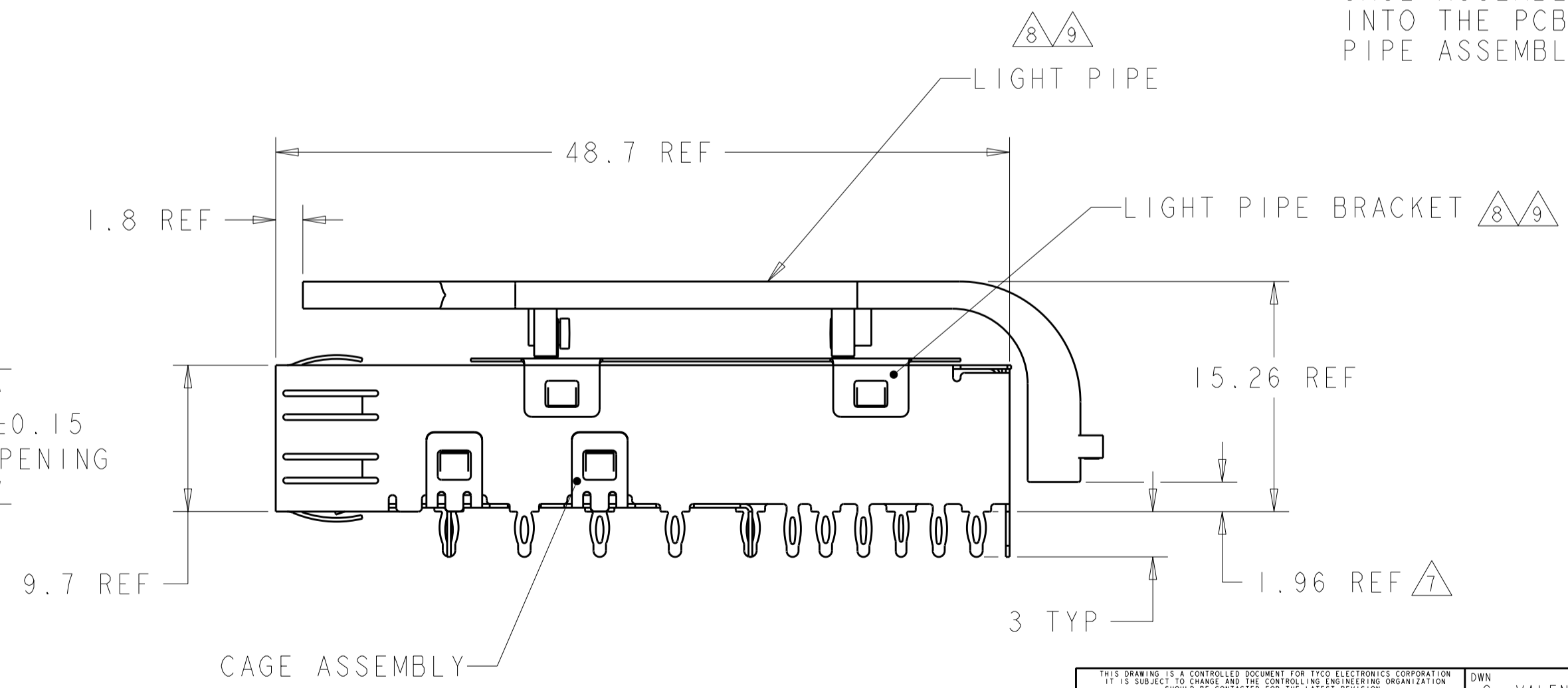
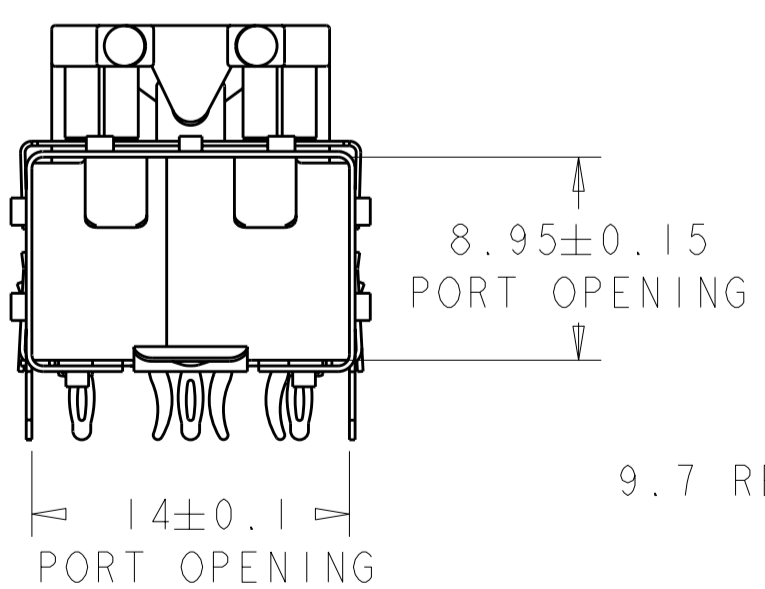


THIS DRAWING IS UNPUBLISHED. RELEASED FOR PUBLICATION 20
 © COPYRIGHT 20 BY TYCO ELECTRONICS CORPORATION. ALL RIGHTS RESERVED.

LOC	DIST	REVISIONS			
P	LTR	DESCRIPTION	DATE	DWN	APVD
GP	00	A	RELEASED ECO-09-009549	20APR2009	AL SY



- 1 MATERIAL:
 CAGE: COPPER ALLOY
 LIGHTPIPE: POLYCARBONATE, CLEAR
 LIGHTPIPE BRACKET: STAINLESS STEEL.
- 2 FINISH:
 CAGE: TIN 1.25 µm MIN THICKNESS OVER,
 0.125 µm MIN THICKNESS NICKEL.
 NONPLATED EDGES PERMISSABLE.
- 3. MATES WITH SFP MSA COMPLIANT TRANSCEIVERS.
- 4 PADS AND VIAS CHASSIS GROUND.
- 5 DATUM AND BASIC DIMENSIONS ESTABLISHED BY CUSTOMER.
- 6. MINIMUM PC BOARD THICKNESS:
 SINGLE SIDED: 1.50 mm
 (SHOWN ON SHEET 4).
- 7 MAX HEIGHT OF LED OFF BOARD IS NOT TO EXCEED 1.14mm.
- 8 LIGHT PIPE AND LIGHT PIPE BRACKET SHIPPED ASSEMBLED.
- 9 LIGHT PIPE ASSEMBLY SHIPPED UNASSEMBLED TO CAGE ASSEMBLY. CAGE ASSEMBLY TO BE PRESSED INTO THE PCB PRIOR TO ATTACHING THE LIGHT PIPE ASSEMBLY TO THE CAGE.



1367629-1
 PART NUMBER

THIS DRAWING IS A CONTROLLED DOCUMENT FOR TYCO ELECTRONICS CORPORATION IT IS SUBJECT TO CHANGE AND THE CONTROLLING ENGINEERING ORGANIZATION SHOULD BE CONTACTED FOR THE LATEST REVISION.		DWN: 15 JAN 2007 CHK: C. VALENTINE E. BRIGHT APVD: 15 JAN 2007 E. BRIGHT	Tyco Electronics Harrisburg, PA 17105-3608
DIMENSIONS: mm	TOLERANCES UNLESS OTHERWISE SPECIFIED: 0 PLC ±0.1 1 PLC ±0.1 2 PLC ±0.1 3 PLC ±0.05 4 PLC ±0.05 ANGLES ± FINISH	PRODUCT SPEC: 108-1950 APPLICATION SPEC: 114-13120 WEIGHT: -	NAME: CAGE ASSEMBLY 20 PRESS FIT ,SFP SIZE: A2 CAGE CODE: 00779 DRAWING NO: 1367629 RESTRICTED TO: -
MATERIAL: 1 - FINISH: 2 -	CUSTOMER DRAWING	SCALE: 1:1 SHEET: 1 OF 4 REV: A	

4

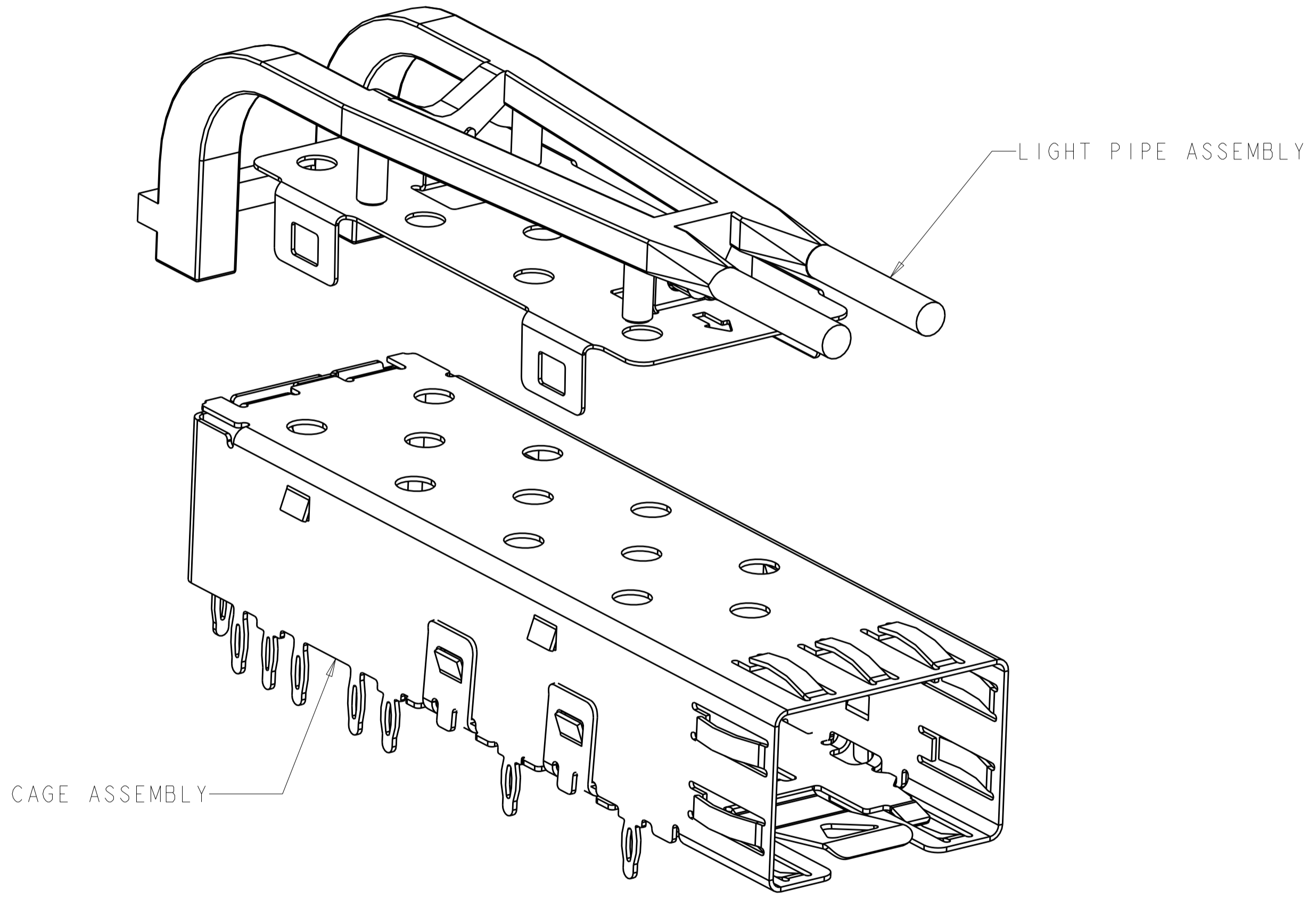
3

2

1

THIS DRAWING IS UNPUBLISHED. RELEASED FOR PUBLICATION 20
 © COPYRIGHT 20 BY TYCO ELECTRONICS CORPORATION. ALL RIGHTS RESERVED.

LOC	DIST	REVISIONS					
GP	00	P	LTR	DESCRIPTION	DATE	DWN	APVD
		-		SEE SHEET 1			

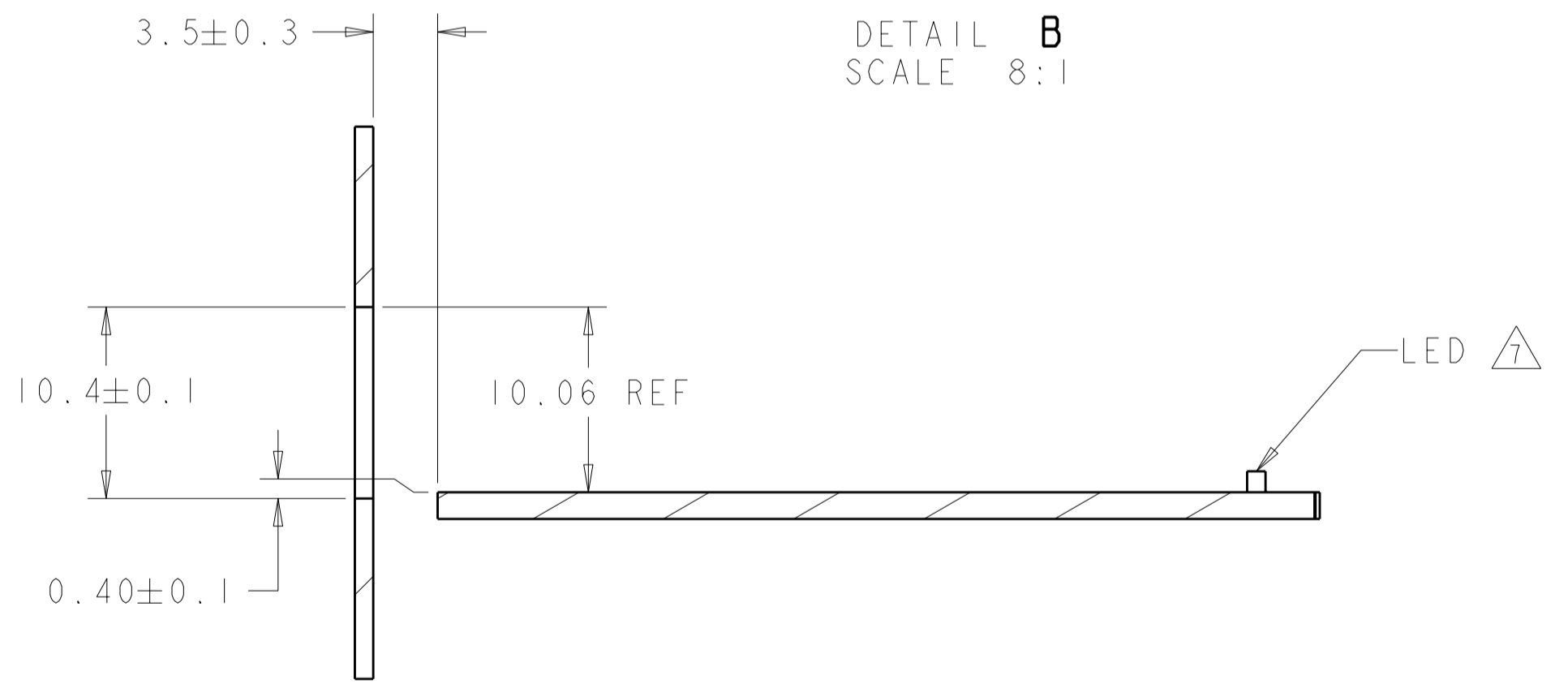
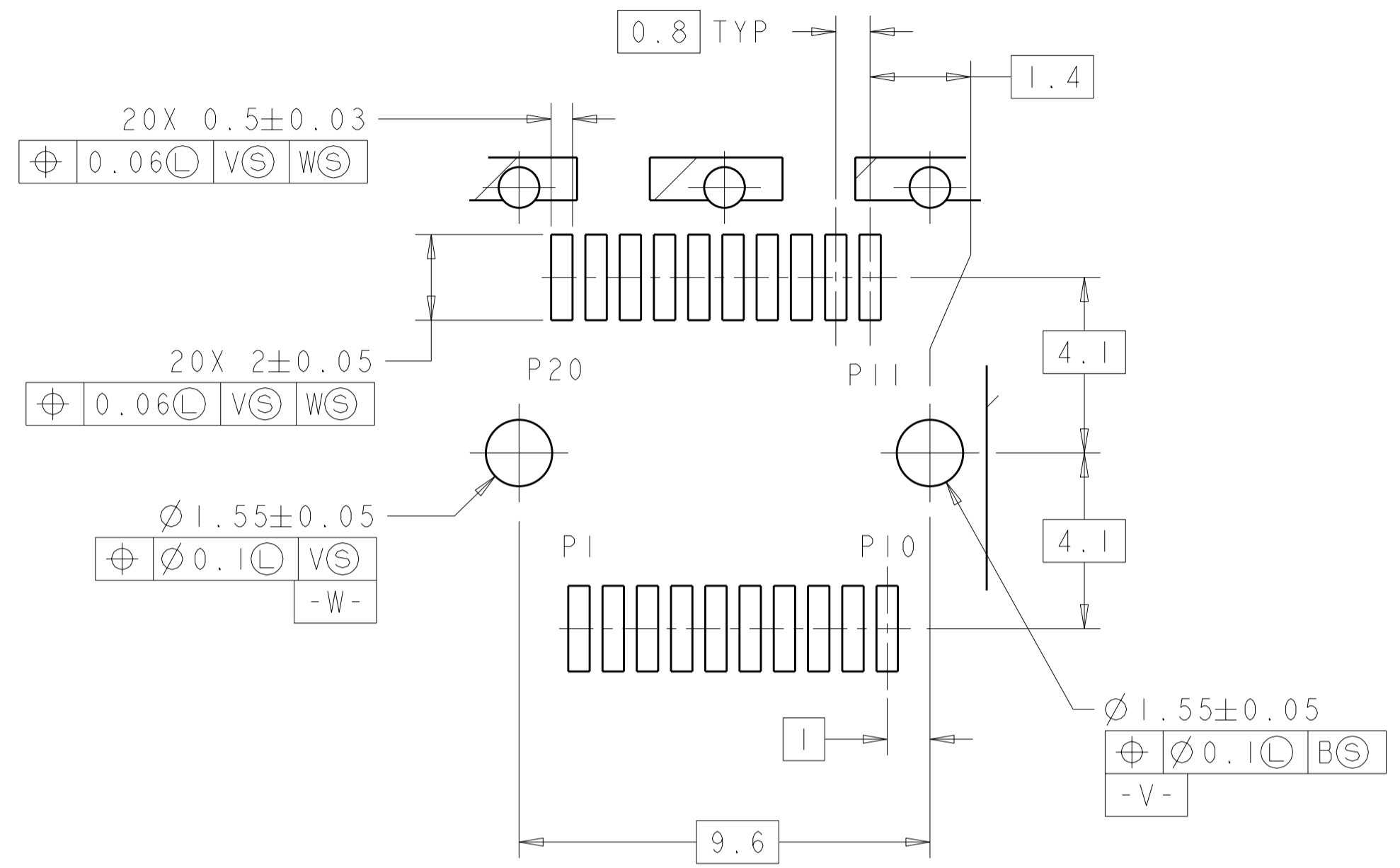
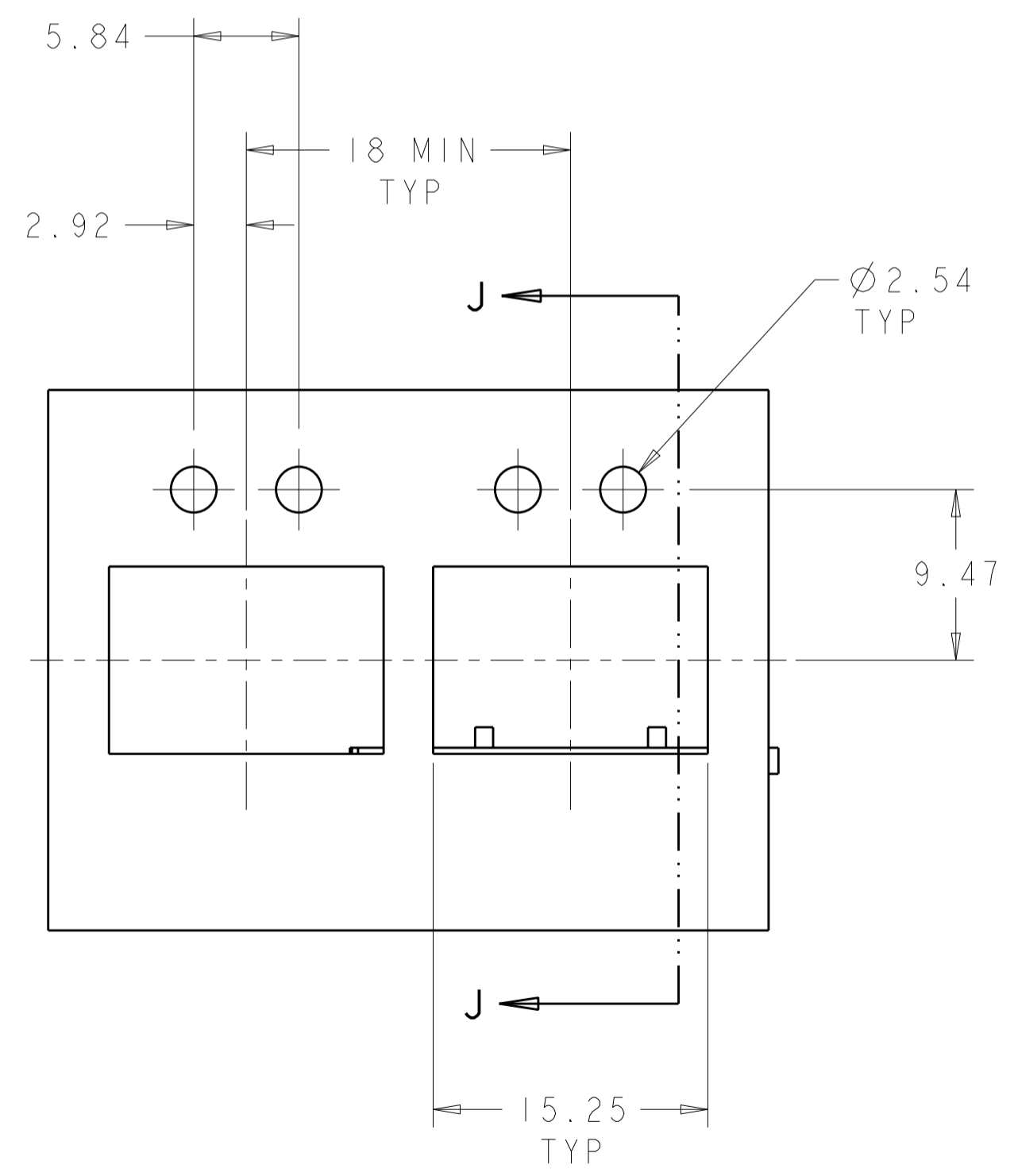
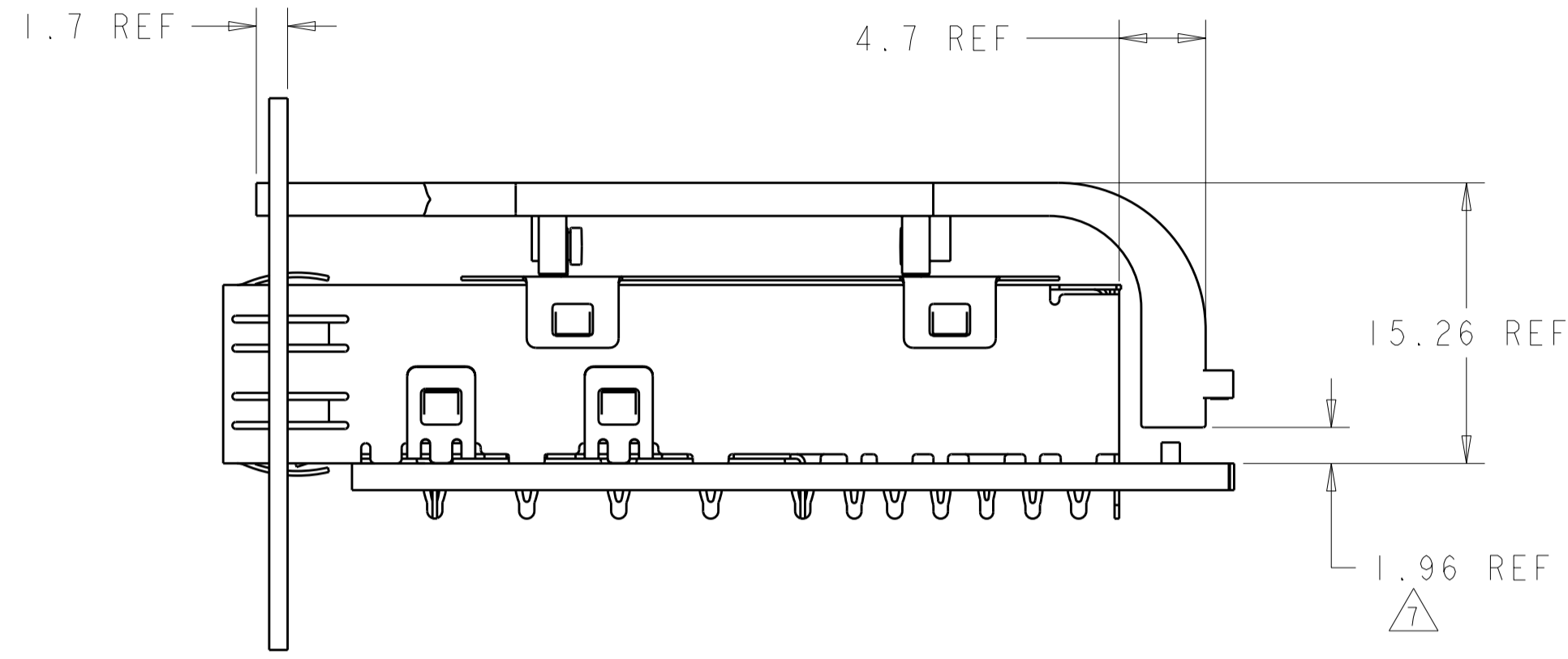


EXPLODED VIEW
 SCALE 5:1

<small>THIS DRAWING IS A CONTROLLED DOCUMENT FOR TYCO ELECTRONICS CORPORATION IT IS SUBJECT TO CHANGE AND THE CONTROLLING ENGINEERING ORGANIZATION SHOULD BE CONTACTED FOR THE LATEST REVISION.</small>		DWN 15 JAN 2007 C. VALENTINE CHK 15 JAN 2007 E. BRIGHT APVD 15 JAN 2007 E. BRIGHT	Tyco Electronics Tyco Electronics Harrisburg, PA 17105-3608
DIMENSIONS: mm 	TOLERANCES UNLESS OTHERWISE SPECIFIED: 0 PLC ±0.1 1 PLC ±0.1 2 PLC ±0.1 3 PLC ±0.05 4 PLC ±0.05 ANGLES ± FINISH	PRODUCT SPEC 108-1950 APPLICATION SPEC 114-13120 WEIGHT - CUSTOMER DRAWING	NAME CAGE ASSEMBLY 20 PRESS FIT , SFP SIZE CAGE CODE DRAWING NO RESTRICTED TO A200779 C-1367629 -
AMP 1471-9 REV 31MAR2000		SCALE 1:1	SHEET 2 OF 4 REV A

THIS DRAWING IS UNPUBLISHED. RELEASED FOR PUBLICATION 20
 © COPYRIGHT 20 BY TYCO ELECTRONICS CORPORATION. ALL RIGHTS RESERVED.

LOC	DIST	REVISIONS			
P	LTR	DESCRIPTION	DATE	DWN	APVD
GP	00	SEE SHEET 1			



DETAIL B
SCALE 8:1

SECTION J-J

<small>THIS DRAWING IS A CONTROLLED DOCUMENT FOR TYCO ELECTRONICS CORPORATION IT IS SUBJECT TO CHANGE AND THE CONTROLLING ENGINEERING ORGANIZATION SHOULD BE CONTACTED FOR THE LATEST REVISION.</small>		DWN C. VALENTINE 15 JAN 2007 CHK E. BRIGHT 15 JAN 2007 APVD E. BRIGHT 15 JAN 2007	Tyco Electronics Tyco Electronics Harrisburg, PA 17105-3608
DIMENSIONS: mm 	TOLERANCES UNLESS OTHERWISE SPECIFIED: 0 PLC ±0.1 1 PLC ±0.1 2 PLC ±0.1 3 PLC ±0.05 4 PLC ±0.05 ANGLES ± FINISH	PRODUCT SPEC 108-1950 APPLICATION SPEC 114-13120 WEIGHT - CUSTOMER DRAWING	NAME CAGE ASSEMBLY 20 PRESS FIT, SFP SIZE A200779 CAGE CODE C-1367629 DRAWING NO - RESTRICTED TO - SCALE - SHEET 4 OF 4 REV A