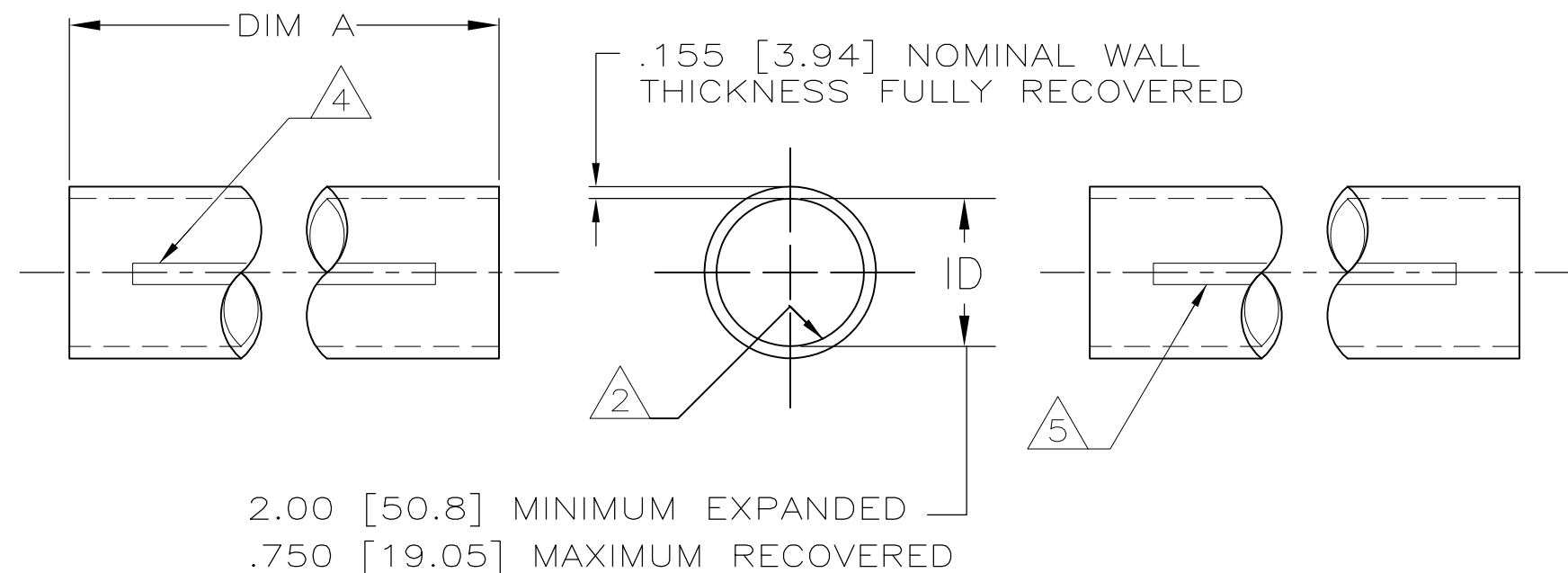


REVISIONS			
LTR	DESCRIPTION	DATE	APPROVED
F	REVISED PER OG1Z-0020-99	31-AUG-00	
G	REVISED PER DCR R030113 - COLOR STRIPE CHANGE	30-APR-03	JKUSTER
G1	REVISED PER ECO-09-021510	12SEP09	AEG



NOTES:

- MATERIAL: BLACK POLYOLEFIN, COMPLIES WITH MIL-23053/15-104-0.
- SEALANT THROUGHOUT TOTAL LENGTH OF INSIDE DIAMETER.
- DIMENSIONS APPLY WITHOUT SEALANT.
- PRODUCT IS MARKED "AMP MIL-23053/15-104-0 90°C 600V MAXIMUM" IN WHITE CHARACTERS ON SURFACE INDICATED.
- PRODUCT IS MARKED "AMP 608508 2.00-.75"/50.8-19.1mm 500 MCM", WITH DATE CODE, IN WHITE CHARACTERS ON SURFACE INDICATED.
- OBSOLETE PARTS: OBSOLETE CIS STREAMLINING PER D.RENAUD/D.SINISI

	11.81-12.19 [300-309.6]	608508-6
6 OBSOLETE	48.00-49.00 [1219.2-1244.6]	608508-5
	DIMENSION A (LENGTH)	PART NO

SPECIFICATION CONTROL DRAWING

UNLESS OTHERWISE SPECIFIED DIMENSIONS ARE IN INCHES. METRIC DIMENSIONS ARE IN BRACKETS. DECIMALS .XXX ± [mm] .XX ± [mm] ANGLES .X ± WEIGHT lbs [g]	DRAWN	MFORONDA	03/04/03	 RAYCHEM PRODUCTS 305 CONSTITUTION DRIVE MENLO PARK, CALIFORNIA 94025
	CHECKED			
	APPROVED	JKUSTER	03/04/03	
	APPROVED			
	CAD NAME	R0300113		TITLE
	THIRD ANGLE PROJECTION			TUBING, HEAT SHRINK AMPSULATION, MHWP31, 2.00 DIA.
	SIZE	CODE IDENT. NO.	DWG. NO.	REV
	B	06090	C-608508	G1
DO NOT SCALE THIS DRAWING				SHEET 1 OF 1