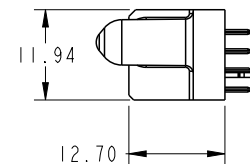
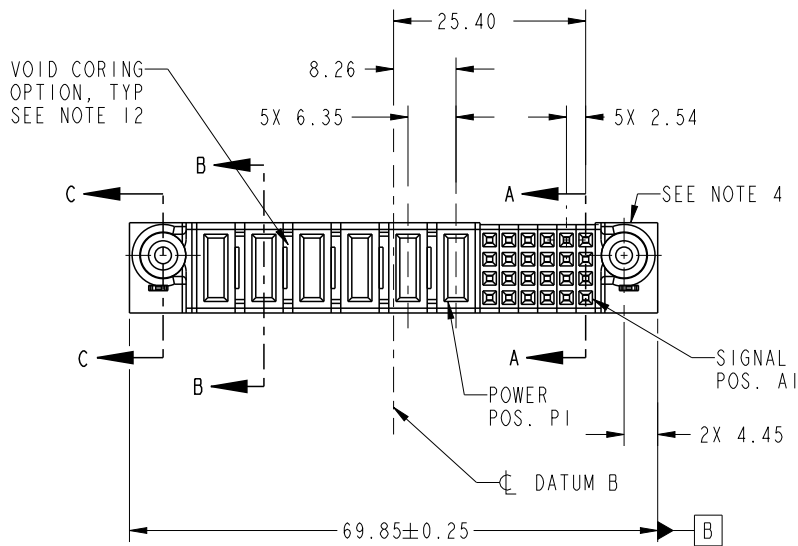


PRODUCT NO.	ROWS	POWER						SIGNAL					E1		
		E2	P6	P5	P4	P3	P2	P1	6	5	4	3		2	1
51751-029-- NOTE: 3	D C B A		PA	PA	PA	PA	PA	X	E	E	E	E	E	E	

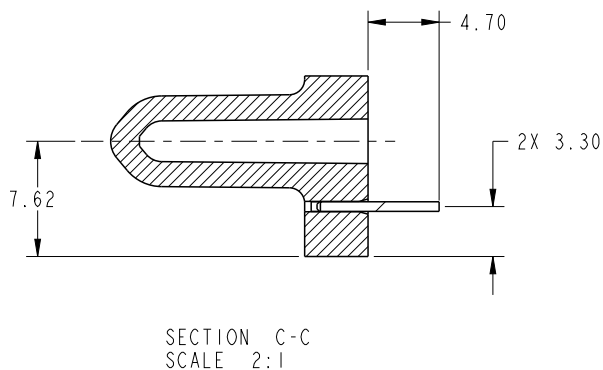
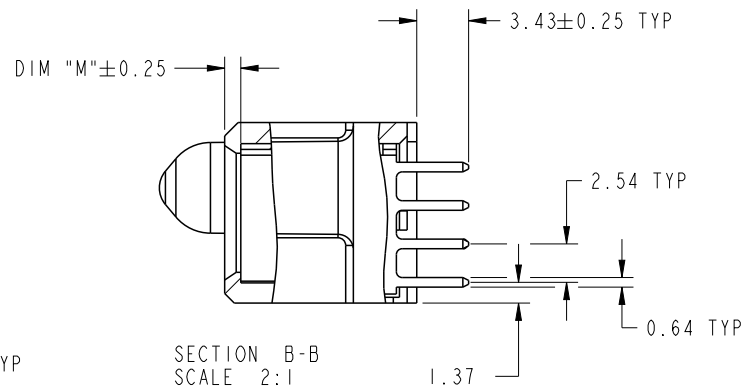
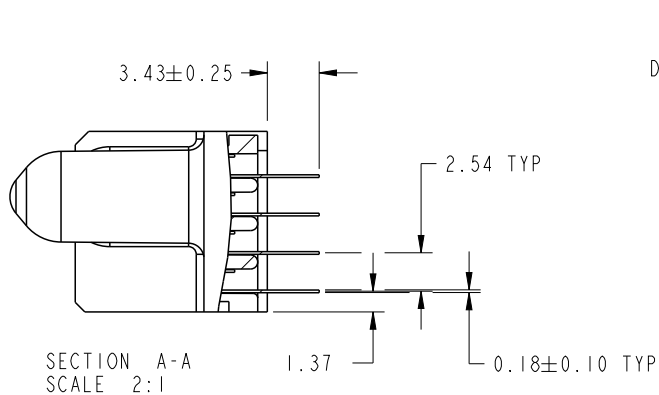


CODE	DIM "M" MATING LENGTH	CONTACT TYPE
E	[N/A]	SIGNAL
PA	[1.07]	POWER
HA	[N/A]	HOLD-DOWN
X	OMITTED	OMITTED

spec ref	*	dr	X Q Wang	2011/11/15	projection 	MM ←→	size	A4	scale	1:1	
tolerance std	TOLERANCES UNLESS OTHERWISE SPECIFIED	eng	X Q Wang	2011/11/21			ecn no	-			
SEE NOTE		chr	-	-			rel level	Released			
surface	✓	appr	Pei-Ming Zheng	2011/11/21	product family	PwrBlade	rev	A			
	linear	0.X	±0.5		24 S + 6 P	dwg no	51751-029	www.fci.com	cat. no.	Product - Customer Drw	sheet 1 of 4
		0.XX	±0.25								
		0.XXX	±0.1								
	angular	0°	±2°								

PRODUCT NUMBER

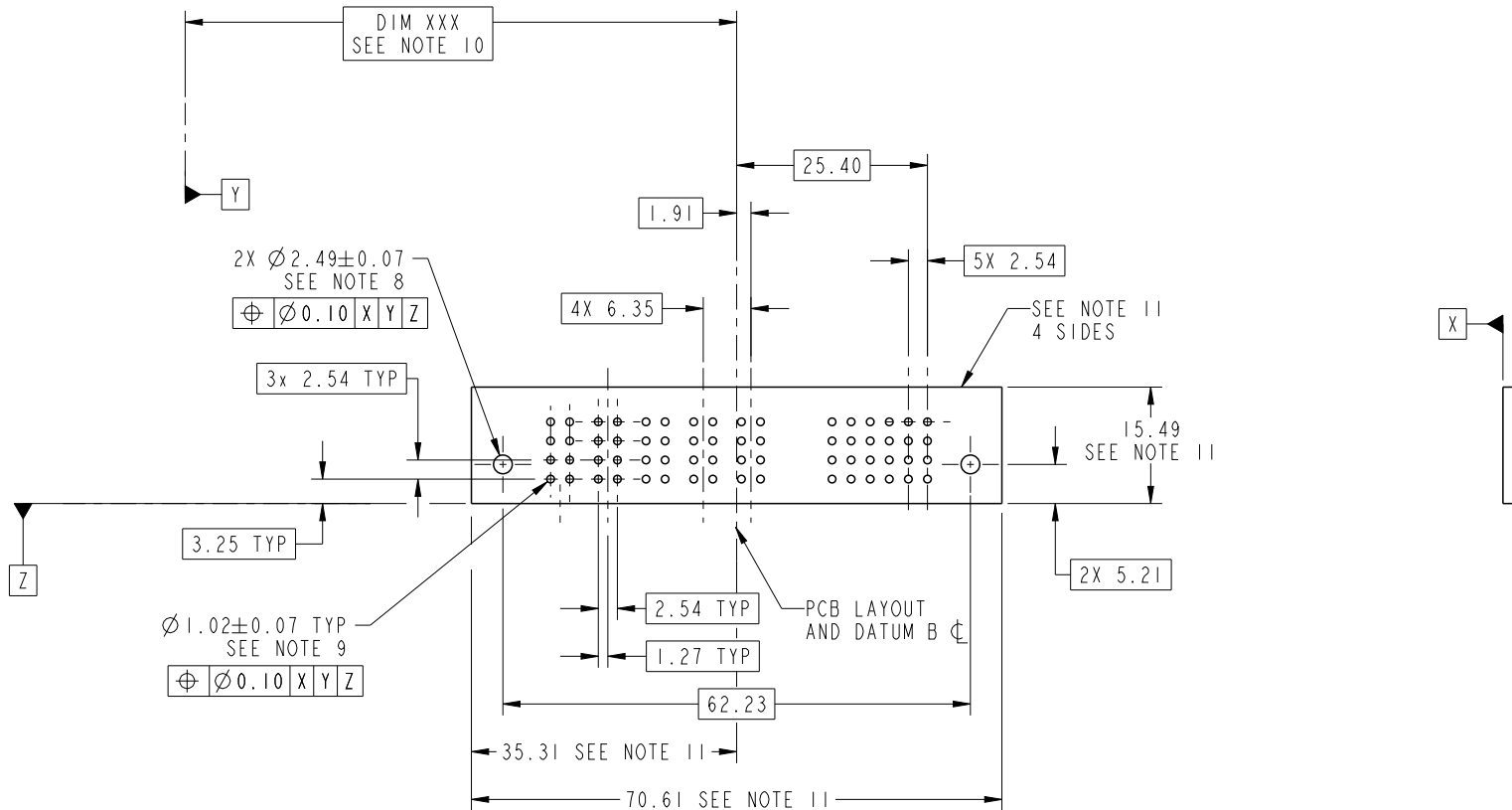
51751-029__
NOTE: 3



dr	X Q Wang	2011/11/15	projection 	MM 	size	A4	scale	1:1
eng	X Q Wang	2011/11/21			ecn no	-		
chr	-	-			rel level	Released		
appr	Pei-Ming Zheng	2011/11/21	product family	PwrBlade	rev	A		
		title 24 S + 6 P VERTICAL SOLDER RECEIPT	dwg no 51751-029	www.fci.com	cat. no. *	Product - Customer Drw	sheet 2 of 4	

PRODUCT NUMBER

51751-029_
NOTE: 3



RECOMMENDED PCB LAYOUT

dr	X Q Wang	2011/11/15	projection 	MM 	size	A4	scale	1:1
eng	X Q Wang	2011/11/21			ecn no	-		
chr	-	-			rel level	Released		
appr	Pei-Ming Zheng	2011/11/21	product family	PwrBlade				
		part no			24 S + 6 P		rev	
www.fci.com		cat. no.			* Product - Customer Drw		sheet 3 of 4	
		part no			51751-029		A	

PRODUCT NUMBER

51751-029__
NOTE: 3

NOTES:

1. DIMENSIONS AND TOLERANCES ARE IN ACCORDANCE WITH ASME Y14.5M, 1994 UNLESS OTHERWISE SPECIFIED.

CONNECTOR NOTES:

- 2 HOUSING MATERIAL: UL 94 V-0 GLASS FILLED HIGH-TEMP THERMOPLASTIC
POWER CONTACT MATERIAL: COPPER ALLOY
SIGNAL PIN MATERIAL: COPPER ALLOY
- 3. SEE ITEM 5 & 6 IN PRINT 10064183 FOR PLATING SPEC OF 51751-029 AND 51751-029LF RESPECTIVELY.
- 4 MANUFACTURER'S NAME, DATE CODE AND OPTIONAL P/N TO APPEAR ON THIS SURFACE. THE P/N CAN BE OMITTED IF THERE IS NOT ENOUGH SPACE ON THIS SURFACE.
- 5. PRODUCT SPECIFICATION GS-12-149.
APPLICATION SPECIFICATION BUS-20-067.
- 6. PACKAGED IN TRAYS.
- PCB NOTES:
- 7. ALL HOLE DIAMETERS ARE FINISHED HOLE SIZE.
- 8 MOUNTING HOLES, WHERE APPLICABLE, ARE UNPLATED.
- 9 $\varnothing 1.151 \pm 0.025$ DRILLED HOLES PLATED WITH
0.008 MIN SnPb OR Sn OVER 0.03
TO 0.08 Cu PLATING TO ACHIEVE
 $\varnothing 1.02 \pm 0.07$ HOLE.
- 10 "DIM XXX" TO BE DETERMINED BY THE CUSTOMER.
- 11 CONNECTOR KEEP-OUT ZONE.
- 12. THE VOID CORING IN BETWEEN POWER MODULES, SIGNAL MODULES AND END MODULES ARE OPTIONAL AND THE SHAPE MAY BE DIFFERENT FOR OPTIMIZE THE MOLDING PROCESS. THE VOID CORING WILL NOT EFFECT TO PRODUCT FUNCTION.

A

B

C

D

A

B

C

D



Copyright FCI.

dr	X Q Wang	2011/11/15	projection 	MM 	size	A4	scale	1:1	
eng	X Q Wang	2011/11/21			ecn no	-			
chr	-	-							
appr	Pei-Ming Zheng	2011/11/21	product family	PwrBlade	rel level	Released			
	title	24 S + 6 P VERTICAL SOLDER RECEPT			dwg no	51751-029		rev	A
www.fci.com	cat. no.	*	Product - Customer Drw			sheet 4 of 4			