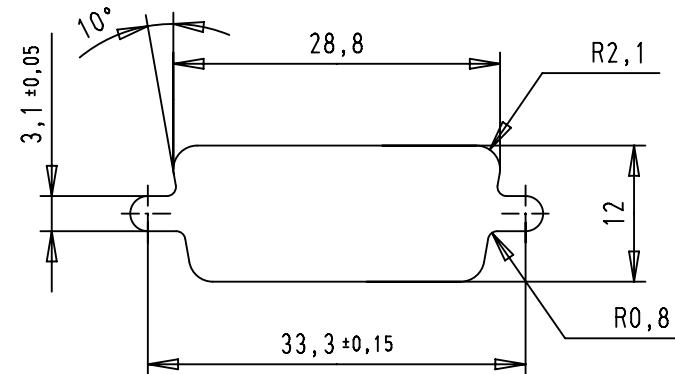
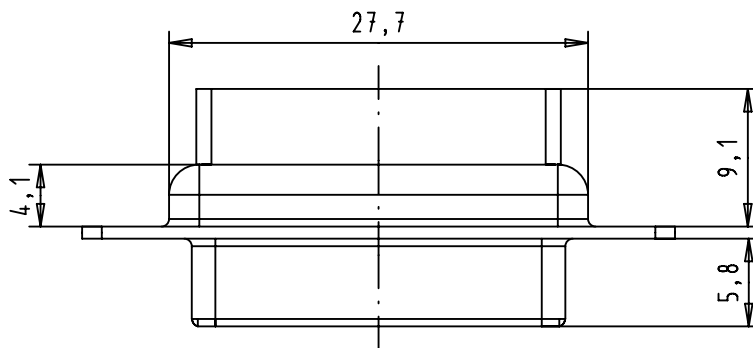


Panel cut out



	All Dimensions in mm Original Size DIN A4		Scale 2:1		Free size tol.		Ref.	
	All rights reserved		Created by DOUGE		Inspected by BAGDIKIAN		Standardisation HOFFMANN	
Department EC PD - FR		Date 2012-09-12		State Final Release		Title D-Sub HD 26P female for crimp contacts		
HARTING Electronics GmbH & Co. KG D-32339 Espelkamp		Type TB		Number 09562004701		Doc-Key / ECM-Nr. 100513463/UGD/001/A 500000055151		Rev. A
							Page 1/1	