

THIS DRAWING IS UNPUBLISHED. RELEASED FOR PUBLICATION -,-
 © COPYRIGHT - By - ALL RIGHTS RESERVED.

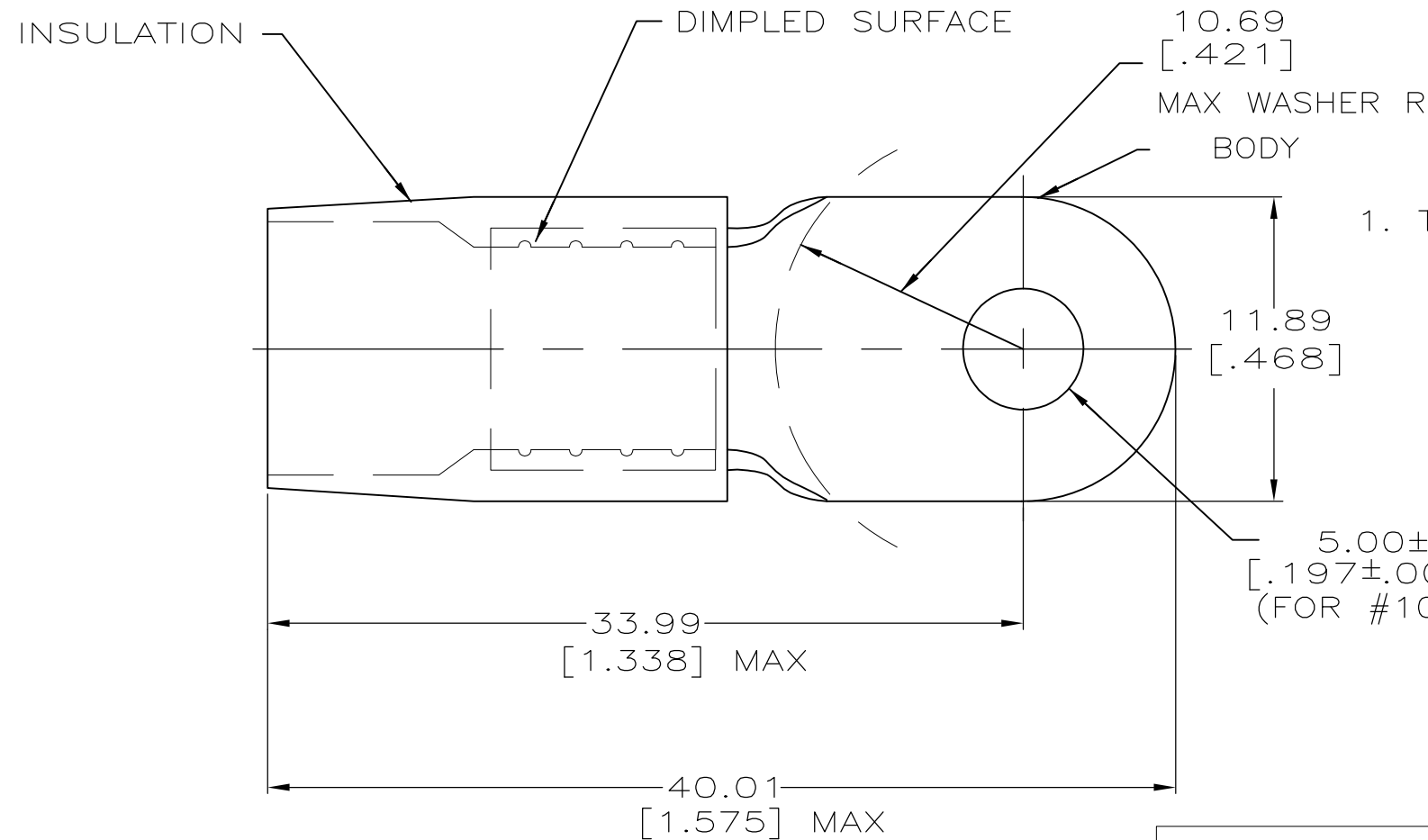
LOC	DIST	REVISIONS					
G	14	P	LTR	DESCRIPTION	DATE	DWN	APVD
		G1		REVISED PER ECO-11-004820	11MAR11	RK	HMR

AMP
WIRE RANGE

6 AWG
STRANDED

METRIC

DIMENSIONS LISTED IN mm [INCHES]



1. TONGUE MATERIAL THK 1.14 ±0.08 [.045±.003] FOR 7.98 [.314] MAX WIRE INS DIA

MS25036-119 CLASS 2	-	LOOSE PC	324046
MILITARY P/N AND CLASS	QTY	PACKAGE TYPE	PART NO

AMP INCORPORATED CUSTOMER SERVICE SYSTEMS		MAX RECOMMENDED OPERATING TEMPERATURE: 105° c
FOR ADDITIONAL PRODUCT INFORMATION OR COPIES OF DRAWINGS AND TECHNICAL DOCUMENTS	PRODUCT INFORMATION CENTER 1-800-522-6752	VOLTAGE RATING: -
FOR APPLICATION TOOLING INFORMATION	TOOLING ASSISTANCE CENTER 1-800-722-1111	CIRCULAR MIL AREA: 10.5-16.8mm² [20,800-33,100] STRANDED
FOR ORDER ENTRY	1-800-526-5142	THIS DRAWING IS A CONTROLLED DOCUMENT FOR AMP INCORPORATED. IT IS SUBJECT TO CHANGE AND THE CONTROLLING ENGINEERING ORGANIZATION SHOULD BE CONTACTED FOR THE LATEST REVISION.

THIS DRAWING IS A CONTROLLED DOCUMENT.	
DIMENSIONS: mm [INCHES]	TOLERANCES UNLESS OTHERWISE SPECIFIED:
	0 PLC ± -
	1 PLC ± -
	2 PLC ± 0.20 [.008]
	3 PLC ± -
	4 PLC ± -
	ANGLES ± -
MATERIAL COPPER PER ASTM B-152 NYLON (MIL-M-20693) TYPE 1 COLOR: BLUE	FINISH TIN PLATE PER MIL-T-10727

DWN S.S. GOULDEN 6-18-93	STE TE Connectivity	NAME TERMINAL, RING TONGUE, TERMINYL WIRE SIZE: 6 AWG			
CHK R. HERSEY 6-18-93					
APVD B. BARE 6-18-93					
PRODUCT SPEC -					
APPLICATION SPEC -	SIZE A3	CAGE CODE 00779	DRAWING NO C-324046	RESTRICTED TO -	
WEIGHT -	CUSTOMER DRAWING		SCALE NTS	SHEET 1 of 1	REV G1