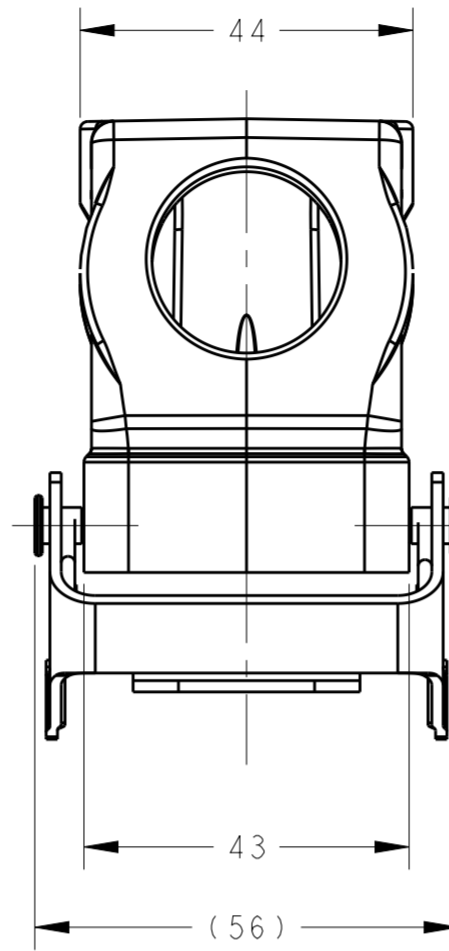
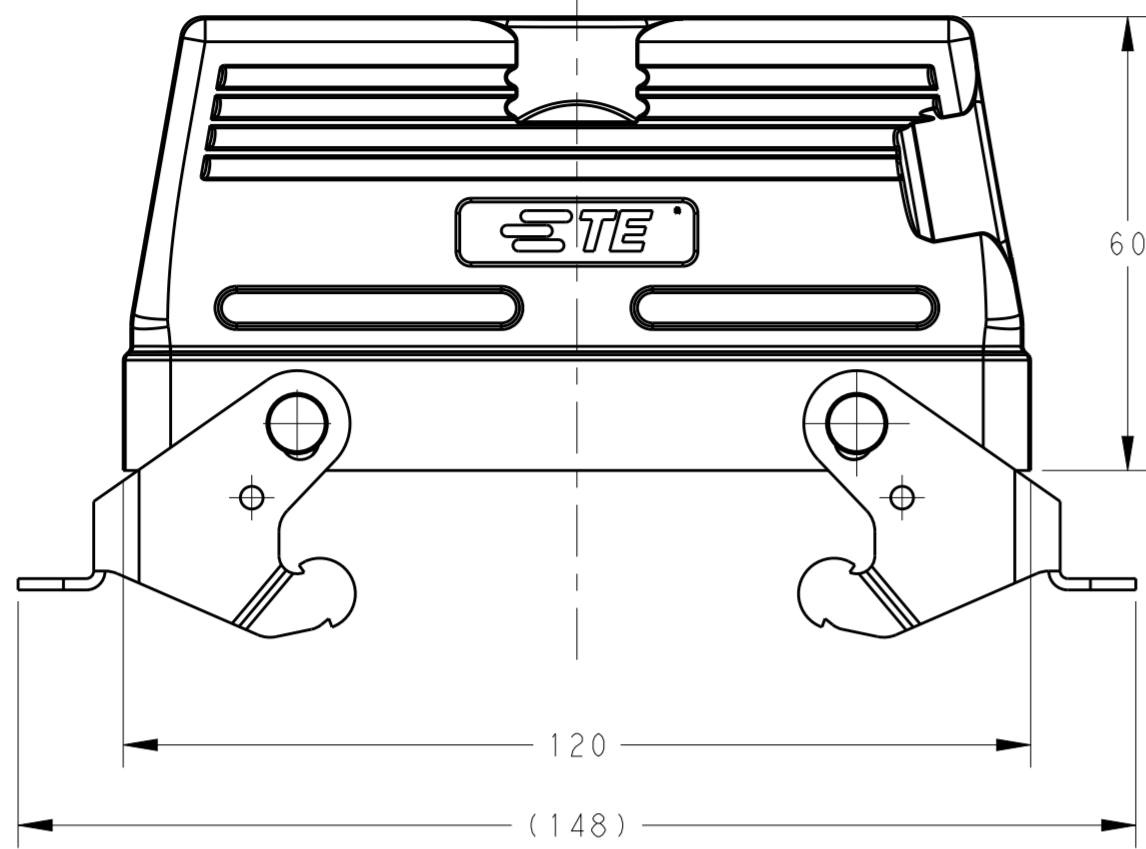


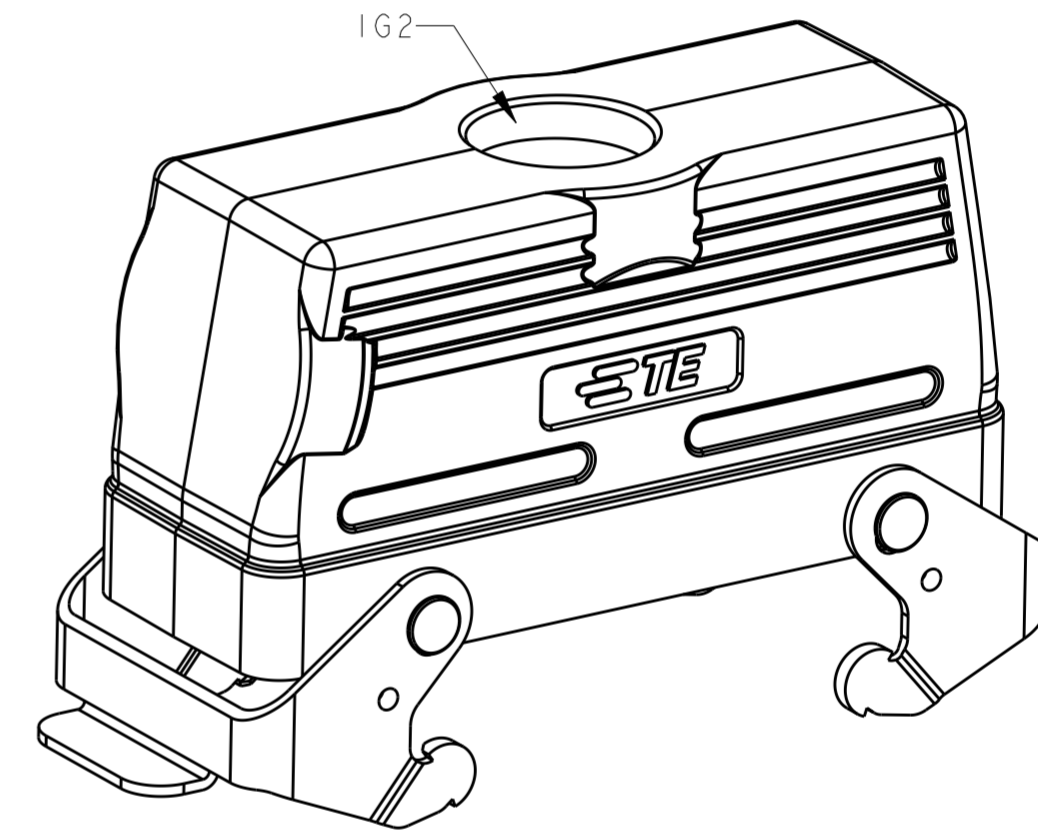
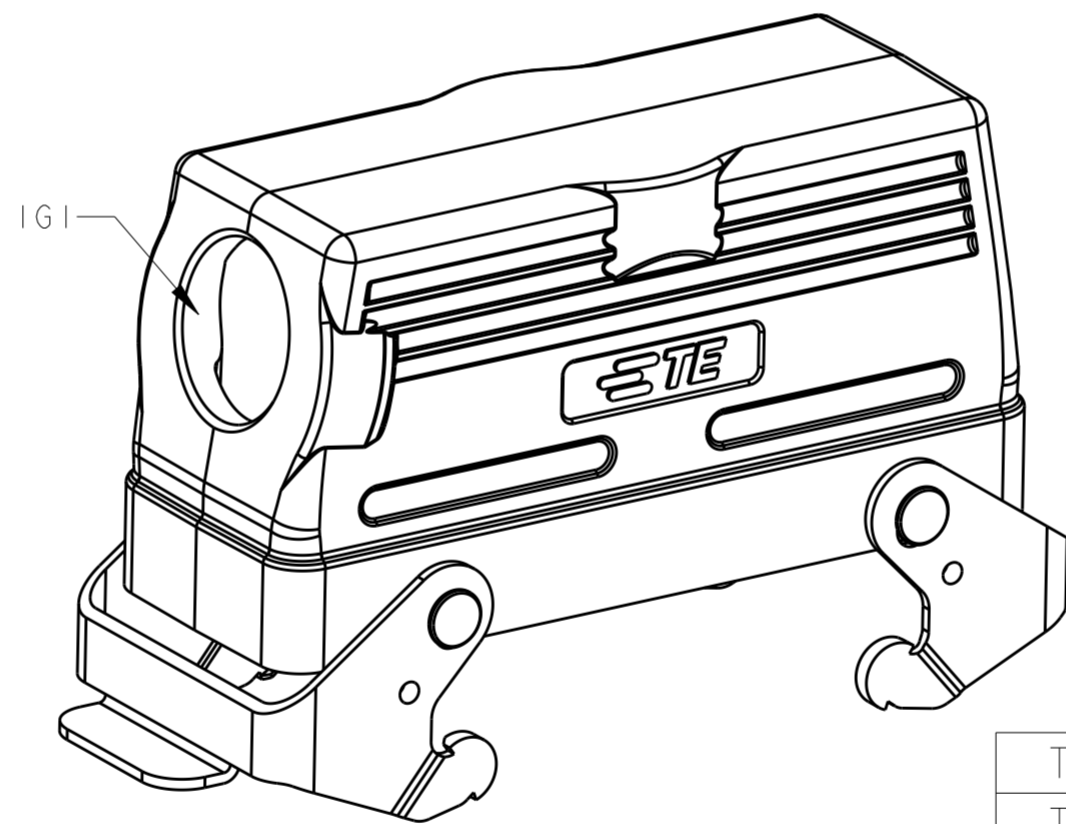
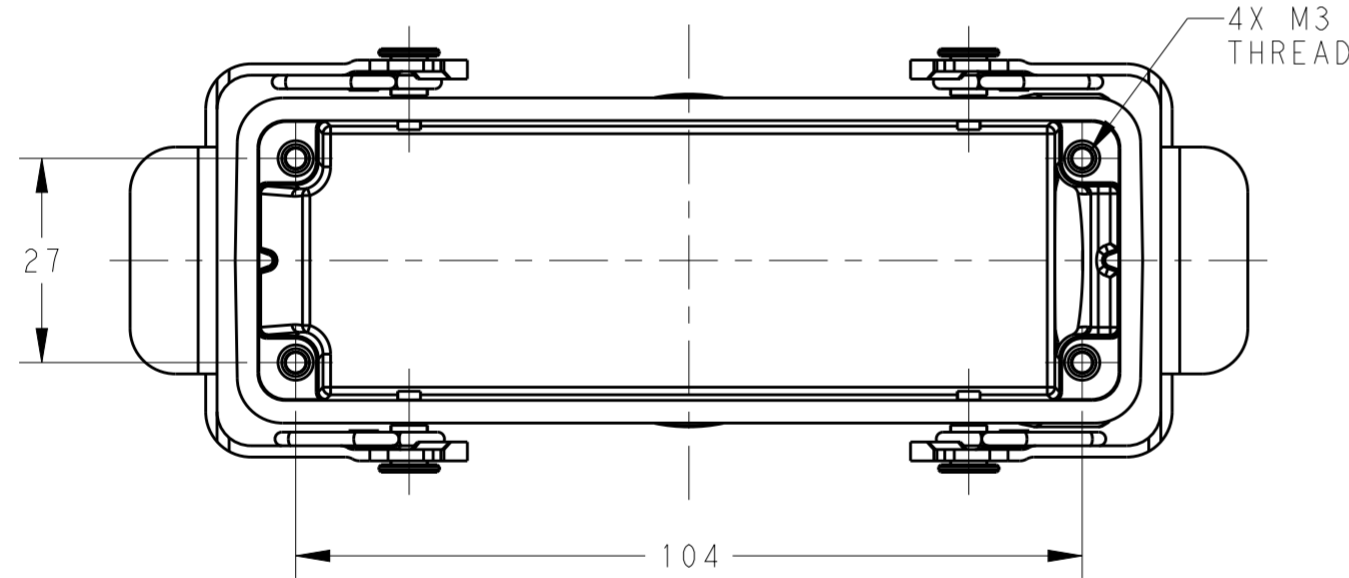
THIS DRAWING IS UNPUBLISHED. RELEASED FOR PUBLICATION 20
 © COPYRIGHT 20 BY - ALL RIGHTS RESERVED.

REVISIONS				
P	LTR	DESCRIPTION	DATE	APVD
	A	INITIAL	29MAY2015	DW CW



NOTES:
 1. TECHNICAL CHARACTERISTICS:
 HOOD MATERIAL: DIE CAST ALUMINIUM ALLOY
 SURFACE: POWDER COATED, GREY
 OPERATION TEMPERATURE: -40-+125°C
 DEGREE OF PROTECTION: IP65 (MATED)

注释:
 1. 技术参数:
 上壳材料: 铝合金
 表面处理: 粉末涂层, 灰色
 工作温度: -40-+125°C
 防护等级: IP65(配合)



TYPE 2: LOW CONSTRUCTION, TOP ENTRY WITH STEEL LOCKING
 OTHER SPEC REFER TO TYPE 1

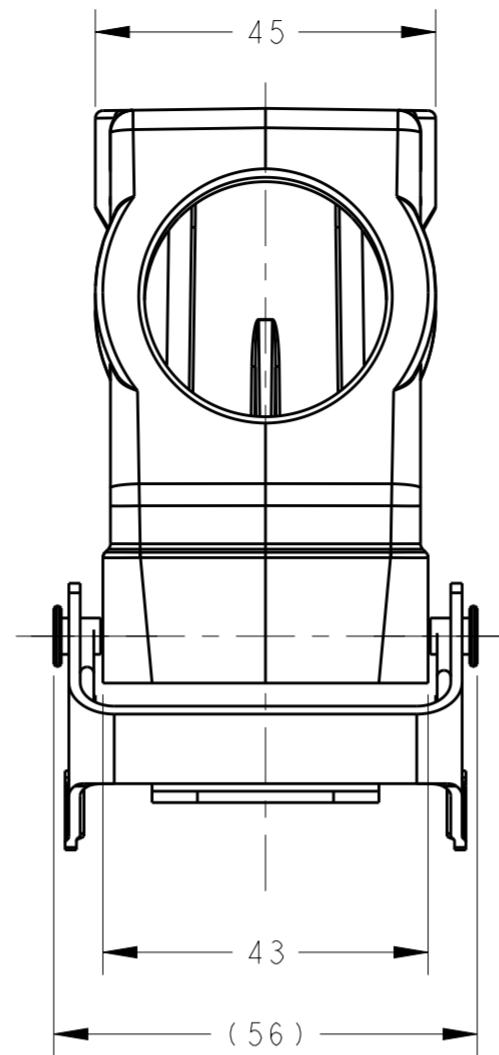
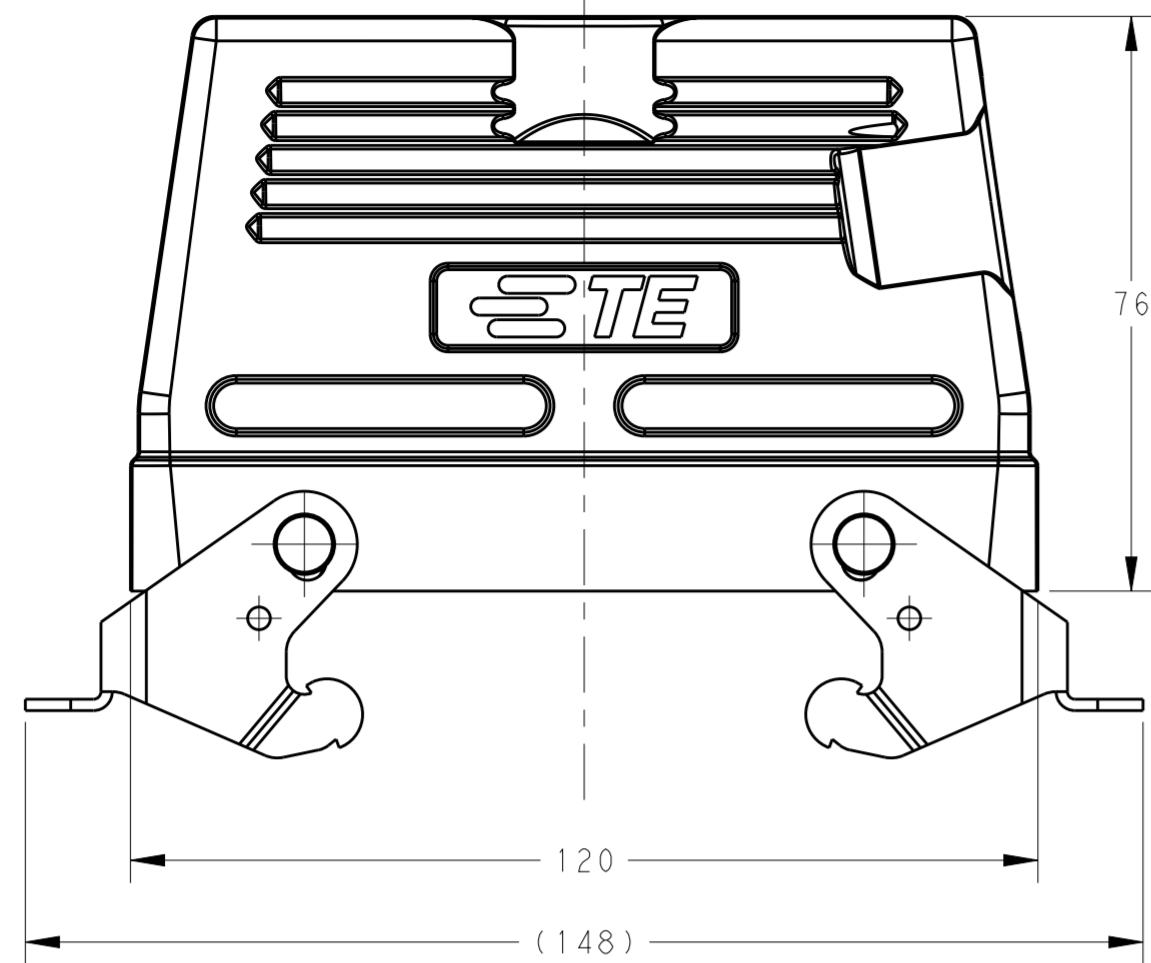
TYPE 1: LOW CONSTRUCTION, SIDE ENTRY WITH STEEL LOCKING

T1250242121-000		H24B-TSB-PG21	PG21	-
T1250242125-000	TYPE 1	H24B-TSB-M25	M25	-
T1250242132-000		H24B-TSB-M32	M32	-
T1260240000-000		H24B-TGB	-	-
T1260242121-000		H24B-TGB-PG21	-	PG21
T1260242125-000	TYPE 2	H24B-TGB-M25	-	M25
T1260242129-000		H24B-TGB-PG29	-	PG29
T1260242132-000		H24B-TGB-M32	-	M32
PART NUMBER	TYPE	DESCRIPTION	IG1	IG2

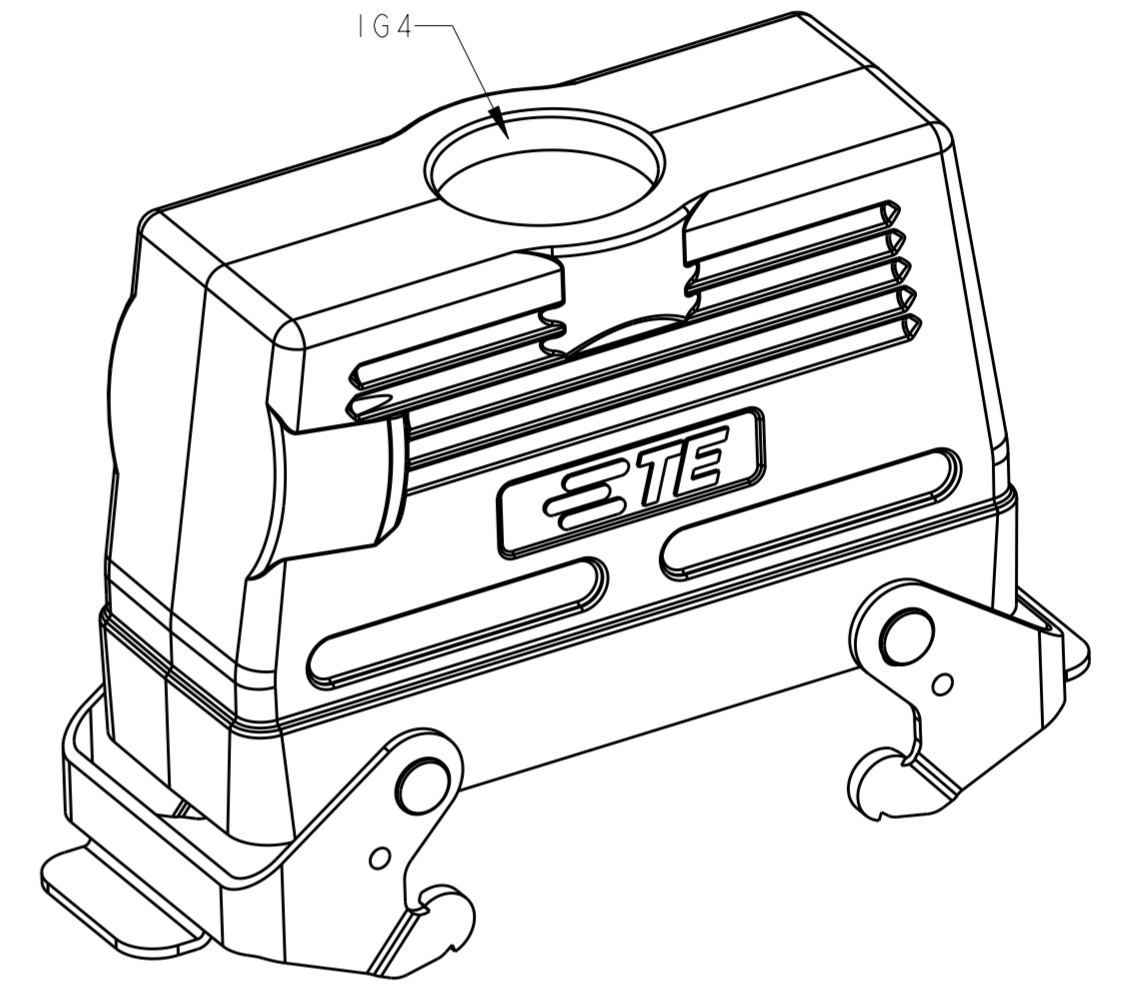
THIS DRAWING IS A CONTROLLED DOCUMENT.		DWN David Wang 29MAY2015	TE Connectivity	
		CHK Chris Wang 29MAY2015		
		APVD Xiang Xu 29MAY2015	NAME H24B-TSB/TGB/TSBH/TGBH-M/PG	
DIMENSIONS: mm		PRODUCT SPEC 108-137013	SIZE CAGE CODE DRAWING NO RESTRICTED TO	
TOLERANCES UNLESS OTHERWISE SPECIFIED:		APPLICATION SPEC 114-137013	A200779 C-T12X024XXX000	
MATERIAL		WEIGHT	SCALE 1:1 SHEET 1 OF 2 REV A	
		Customer Drawing		

THIS DRAWING IS UNPUBLISHED. RELEASED FOR PUBLICATION 20
 © COPYRIGHT 20 BY - ALL RIGHTS RESERVED.

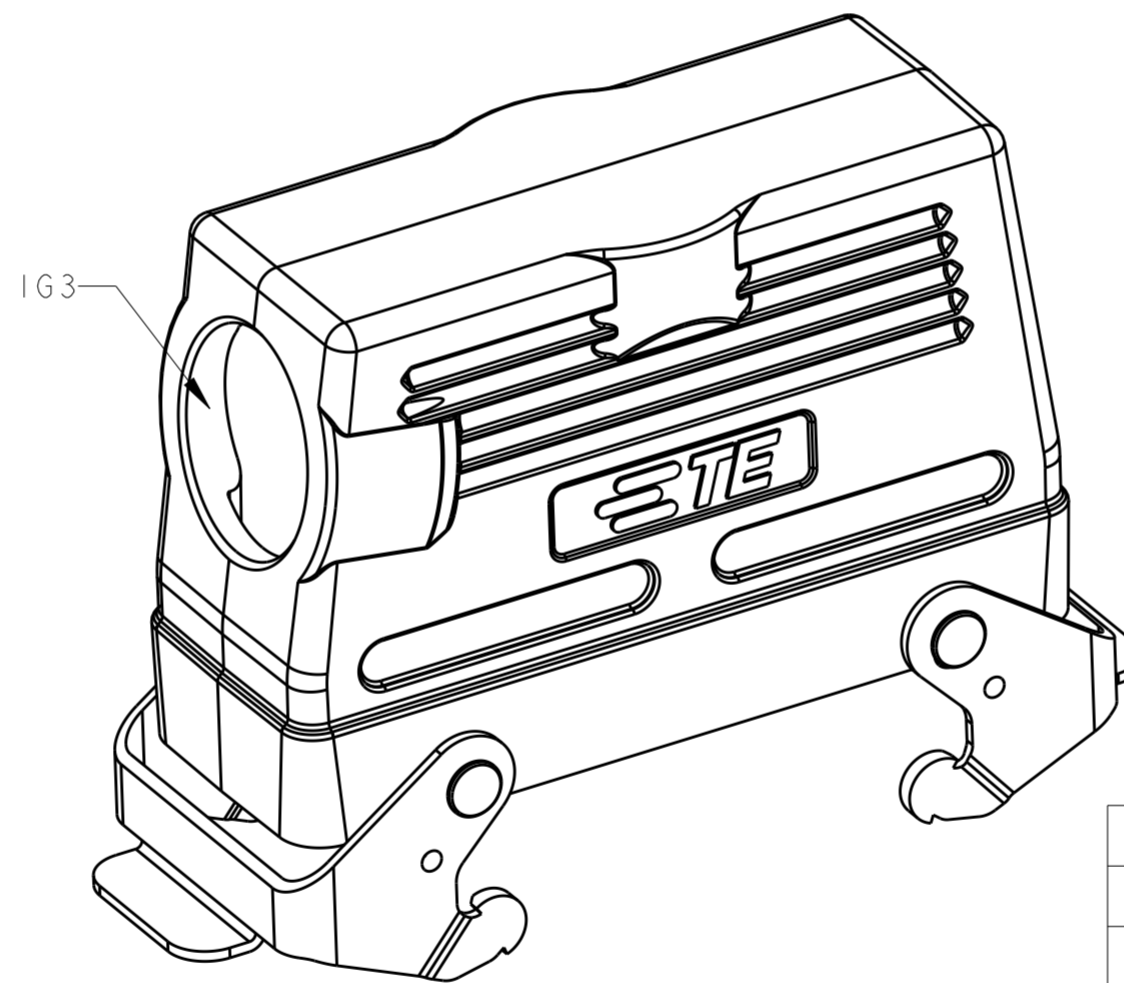
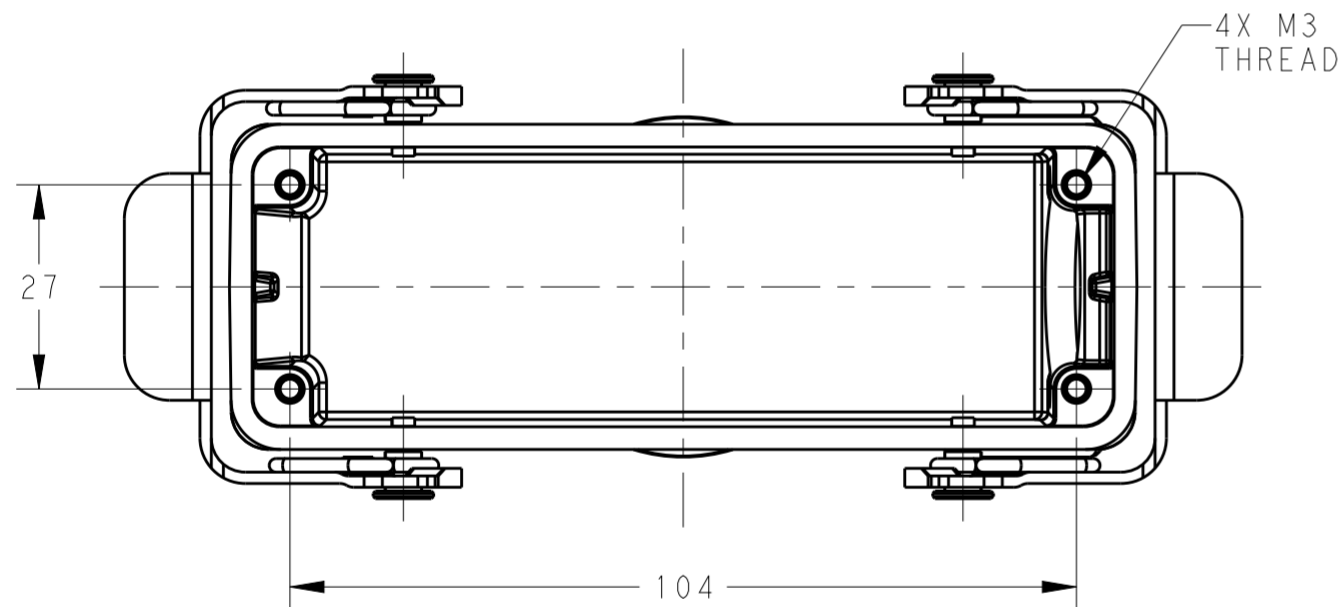
REVISIONS				
P	LTR	DESCRIPTION	DATE	APVD
-		SEE SHEET 1	-	-



NOTES:
SEE SHEET 1



TYPE 4: HIGH CONSTRUCTION, TOP ENTRY WITH STEEL LOCKING
OTHER SPEC REFER TO TYPE 3



TYPE 3: HIGH CONSTRUCTION, SIDE ENTRY WITH STEEL LOCKING

PART NUMBER	TYPE	DESCRIPTION	IG3	IG4
T1270242121-000	TYPE 3	H24B-TSBH-PG21	PG21	-
T1270242129-000		H24B-TSBH-PG29	PG29	-
T1270242132-000		H24B-TSBH-M32	M32	-
T1270242140-000		H24B-TSBH-M40	M40	-
T1280242121-000	TYPE 4	H24B-TGBH-PG21	-	PG21
T1280242125-000		H24B-TGBH-M25	-	M25
T1280242129-000		H24B-TGBH-PG29	-	PG29
T1280242132-000		H24B-TGBH-M32	-	M32
T1280242140-000		H24B-TGBH-M40	-	M40

THIS DRAWING IS A CONTROLLED DOCUMENT.		DWN David Wang 29MAY2015	STE TE Connectivity	
		CHK Chris Wang 29MAY2015		
		APVD Xiang Xu 29MAY2015	NAME H24B-TSB/TGB/TSBH/TGBH-M/PG	
DIMENSIONS: mm		PRODUCT SPEC 108-137013	SIZE CAGE CODE DRAWING NO RESTRICTED TO	
TOLERANCES UNLESS OTHERWISE SPECIFIED:		APPLICATION SPEC 114-137013	A200779 C-T12X024XXX000	
MATERIAL		WEIGHT	SCALE 1:1 SHEET 2 OF 2 REV A	
		Customer Drawing		