

A

B

C

D

E

F

G

H

A

B

C

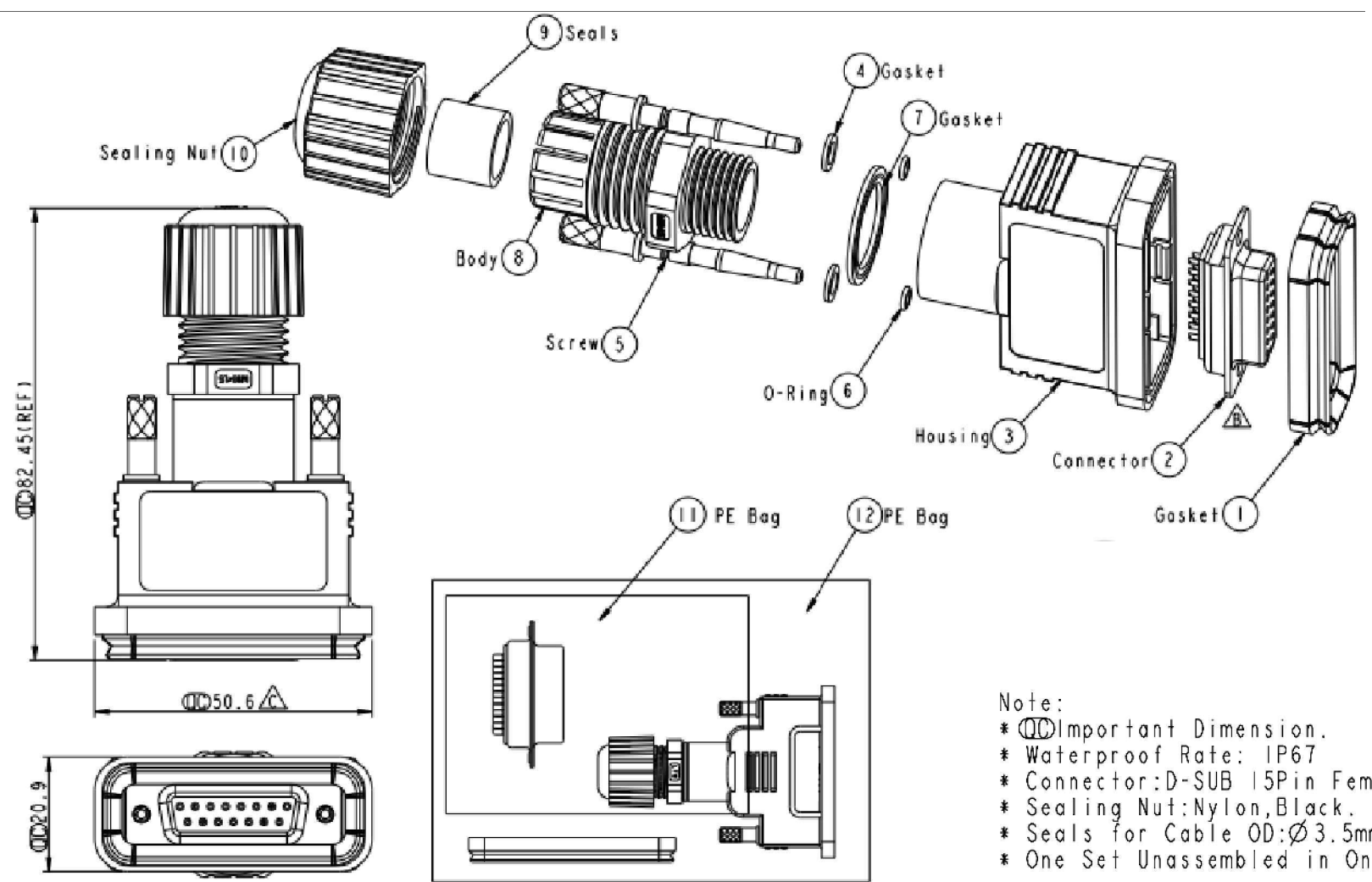
D

E

F

G

H



RoHS compliant
UNIT:mm

Scale	Free
TOLERANCE	±0.5
DIM	TOL
X.°	±X°
X.X°	±X°
Angle	TOL

①	Drawn	22.04.2014	Joanna
	Modification	Date	Name

Drawn	Date	Name	Customer-No.
Approved	Date	Name	ASSMANN WSW-No.
			A-DF15-HOOD-WP
			Drawing-No.
			ASS 6256 CO
			rev00
			Sheet

