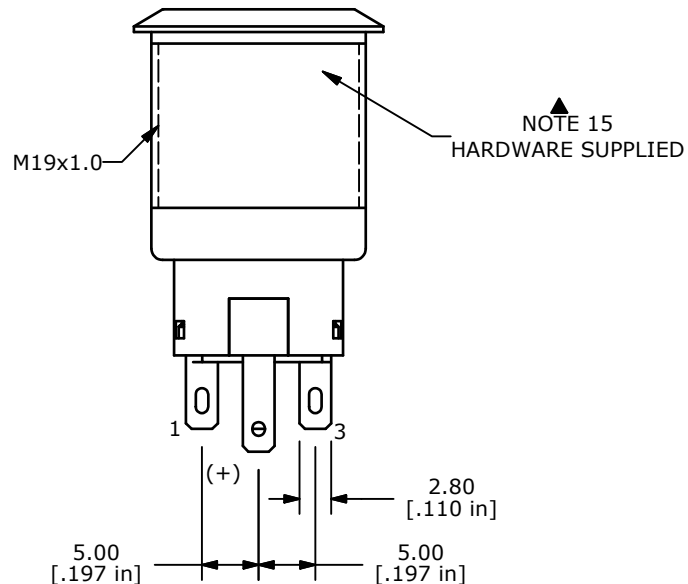
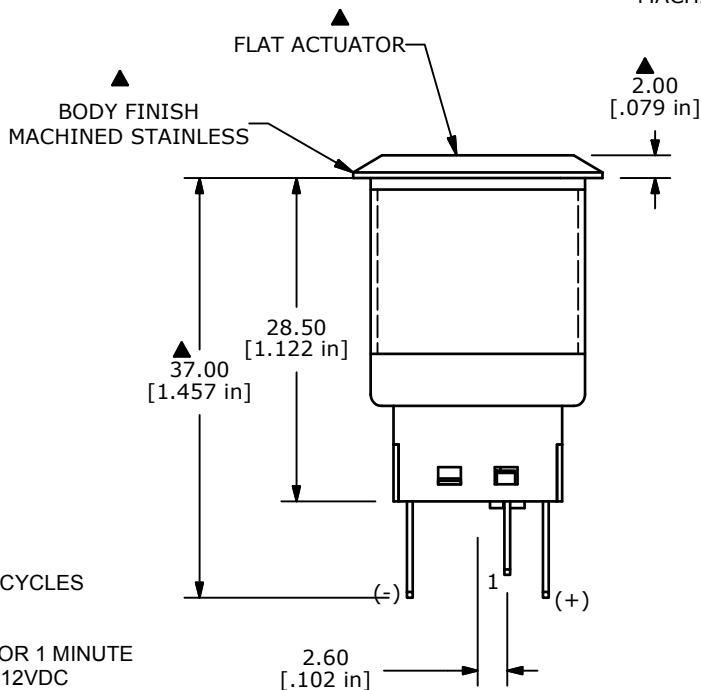
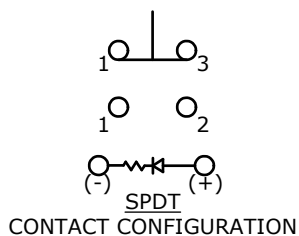
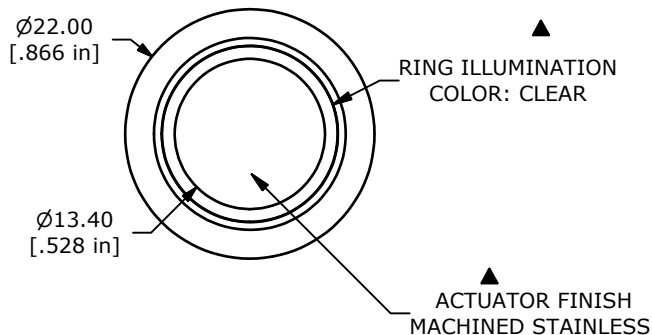


SWITCH FUNCTION	
POS. 1	POS. 2
ON	(ON)
1-3	1-2

(ON) = MOMENTARY



- NOTE:
1. ALL DIMENSIONS IN MM [INCH]
 2. GENERAL TOLERANCE: X.X=±0.4
X.XX=±0.25
 3. TERMINAL NUMBERS FOR REF ONLY
 - ▲ 4. CONTACT MATERIAL: SILVER
 5. RATING: 2A 48VDC
 6. ELECTRIC LIFE: 50,000 MAKE-AND-BREAK CYCLES AT FULL LOAD.
 7. INSULATION RESISTANCE: 1,000 MΩ MIN.
 8. DIELECTRIC STRENGTH: 2,000 VAC MIN. FOR 1 MINUTE
 9. CONTACT RESISTANCE: 50mΩ MAX. @ 1A 12VDC
 10. OPERATING TEMP.: -20°C to 55°C
 - ▲ 11. TRAVEL: 2.8mm
 12. ▲ DENOTES CRITICAL PARAMETER.
 - ▲ 13. LAMP VOLTAGE: 20mA 2.8V
 14. INGRESS PROTECTION: IP65
 15. HARDWARE SUPPLIED: O-RING AND HEXNUT
 - ▲ 16. ILLUMINATION COLOR: WHITE



TITLE PV4F2B0SS-301				
SCALE 1.5:1	DATE 3/27/2012	DR BGL	DWG 52-PV4F2B0SS301	REV A

A	20543	RELEASE FOR PRODUCTION	3/27/2012	MM
REV	PCR NO	DESCRIPTION	DATE	BY

THE INFORMATION CONTAINED IN THIS DOCUMENT IS PROPRIETARY TO E-SWITCH AND IS NOT TO BE COPIED OR TRANSFERRED